

# INSTALLATION INSTRUCTIONS



## IMPORTANT

Before assembling your Lamplust fixture, please make sure that you carefully read through these instruction sheets. Consider having your fixture installed by a qualified licensed electrician.

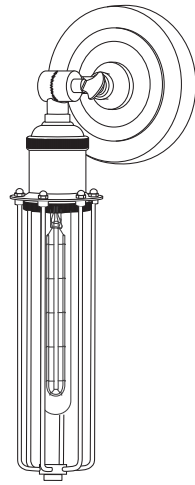
**NOTE:** The important safeguards and instructions that appear in this manual are not meant to cover all possible conditions and situations that may occur. It must be understood that common sense, caution, and care are factors that cannot be built into any product. This approach must be used by the person(s) caring for and operating the fixture.

## GENERAL INFORMATION

All electrical connections must be in accordance with all ordinances, local and national electrical codes. These fixtures are intended for mounting to a standard 4" x 2-1/2" metal octagon outlet box. The box must be directly supported by the building structure and UL Recognized.

## STEP BY STEP INSTRUCTIONS

Before starting your installation, disconnect the power by turning off the circuit breaker or by removing the fuse at the fuse box. Just turning the light off at the light switch is not sufficient to prevent electrical shock.



## COLLECTION

Alton  
w/ Slim Cage

## APPLICATION

Wall Sconce

## MODEL NO.

LC004657  
LC004658  
LC004659  
LC004660

## WHAT WE PROVIDE

- Alton Flush Mount
- Wire Nuts and Mounting Hardware
- Slim Cage

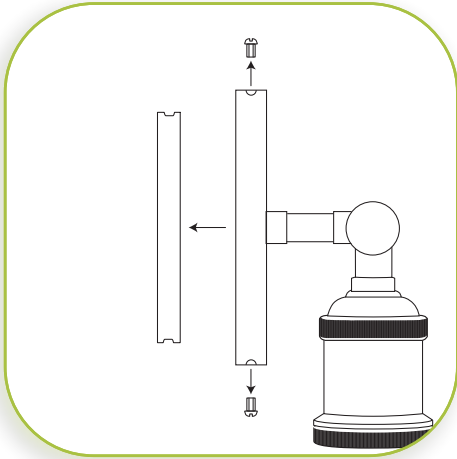
## WHAT YOU NEED

- Phillips Head Screwdriver
- Wire Cutters
- Wiring Supplies as Specified by Electrical Code
- 1 x 60W E26 Bulb



# 1

## UNPACK FIXTURE



# 2

## PREPARE FIXTURE AND MOUNTING PLATE

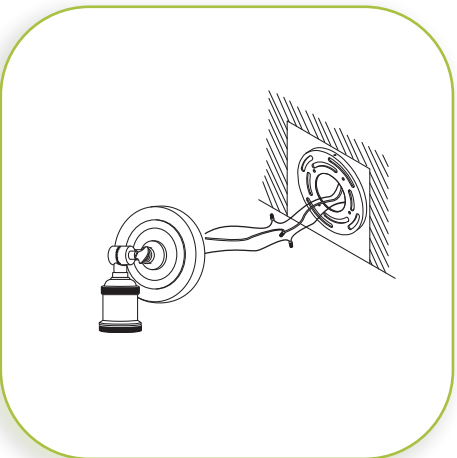
Remove the mounting plate from the backplate by unscrewing the side screws from the backplate.



# 3

## INSTALL THE MOUNTING PLATE

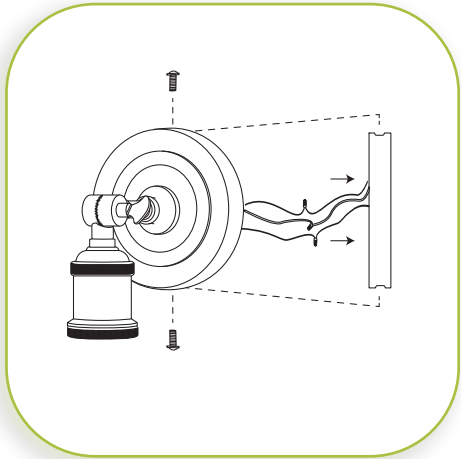
If there is an existing fixture, remove it. Expose the supply wires from the J-Box. Insert supply wires through the mounting plate. Secure the mounting plate using the two Phillips head screws provided. Tighten to secure.



# 4

## MAKE WIRE CONNECTIONS

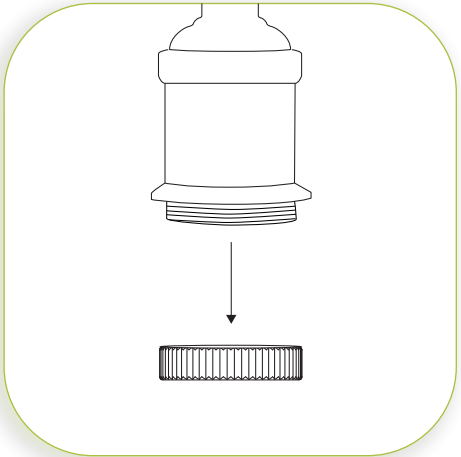
Connect the BLACK fixture wire to the BLACK supply wire and the WHITE fixture wire to the WHITE supply wire. Connect the fixture ground wire to the J-BOX ground wire. Secure all connections with the supplied wire nuts and electrical tape (not supplied).



# 5

### CONNECT FIXTURE TO THE MOUNTING PLATE

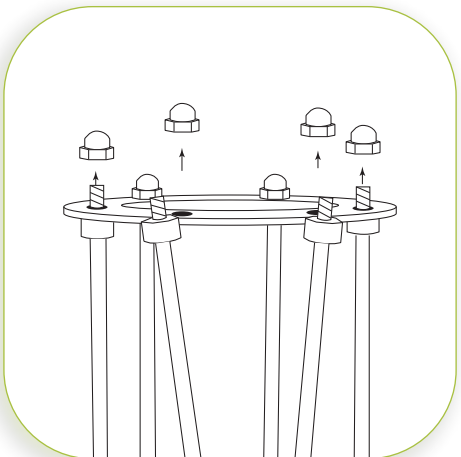
Position backplate over the mounting plate. Align the holes on the sides of the mounting plate with the two holes on the sides of the backplate and secure with the supplied screws.



# 6

### REMOVING DECORATIVE RING

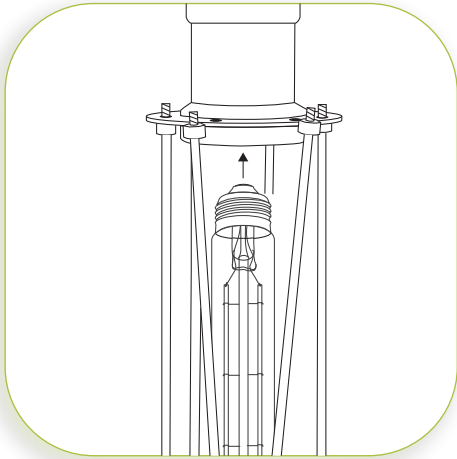
Remove the decorative ring from the socket.



# 7

### OPENING CAGE

Open cage by removing 4 nuts from the top of the cage. This will allow you to open two of the bars to slide a bulb in. \*This is not required if using our Cobble Hill Brooklyn Co. Bulb.



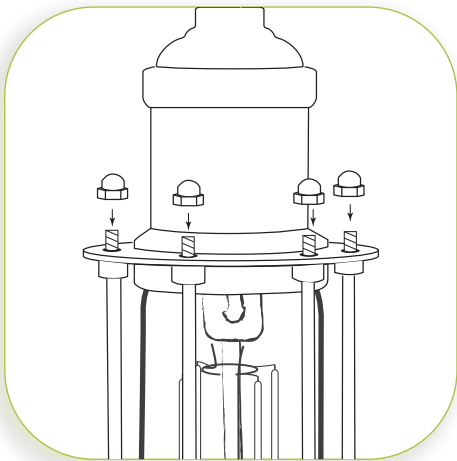
8

### INSTALL BULB

Insert bulb into threaded socket.

MAXIMUM WATTAGE 60W.

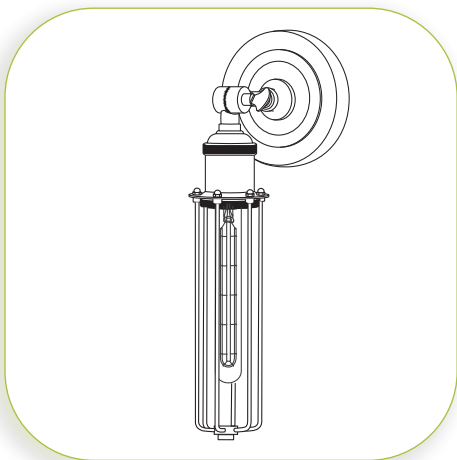
DO NOT EXCEED THE WATTAGE AS STATED ON THE WARNING LABEL.



9

### SECURE CAGE BARS

Re-secure the bars of the cage using the nuts removed in Step 6.



10

### RESTORE THE ELECTRICITY AND CHECK THE OPERATION OF YOUR NEW FIXTURE



Note: For the best lighting experience, we recommend using a dimmer. Not only does this allow you to create a great ambiance, it allows for energy savings and extends the life of the bulb.