

INSTALLATION INSTRUCTIONS



Lights.com

IMPORTANT

Before opening your Lights.com fixture, please make sure that you carefully read through these instruction sheets. Consider having your fixture installed by a qualified licensed electrician.

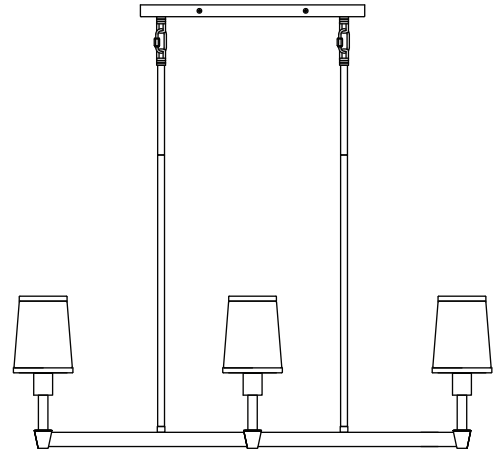
NOTE: The important safeguards and instructions that appear in this manual are not meant to cover all possible conditions and situations that may occur. It must be understood that common sense, caution and care, are factors that can't be built into any product. This approach must be used by the person(s) caring for and operating the fixture.

GENERAL INFORMATION

All electrical connections must be in accordance with all ordinances, local and national electrical codes. These fixtures are intended for mounting to a standard 4" x 2-1/2" metal octagon box. The box must be directly supported by the building structure and U.L. Recognized.

STEP BY STEP INSTRUCTIONS

Before starting your installation disconnect the power by turning off the circuit breaker or by removing the fuse at the fuse box. Just turning the light off at the light switch is not sufficient to prevent electrical shock.



COLLECTION

Kingston

APPLICATION

Chandelier

MODEL NO.

LC004580-AB

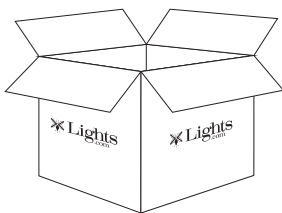
LC004580-PN

WHAT WE PROVIDE

- Mounting & Wiring Hardware
- 6x Glass Shades
- Canopy Kit
- Two 6", Four 12", and Two 18" Rods

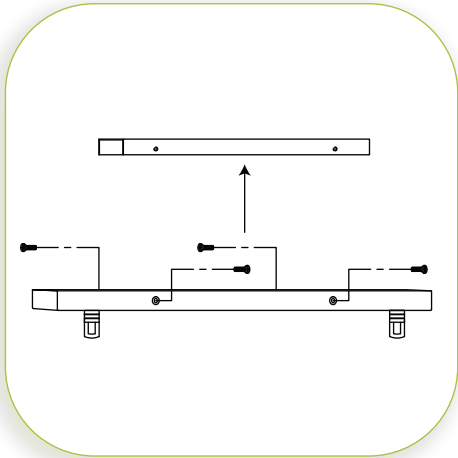
WHAT YOU NEED

- Phillips Screwdriver
- Wire Cutters
- Wiring Supplies as Specified by Electrical Code
- Electrical Tape
- 6x 40W E12 Bulbs



1

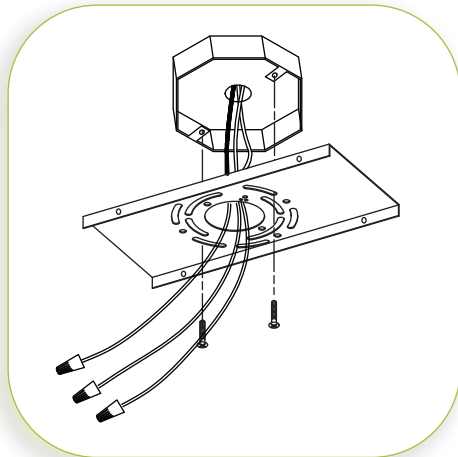
UNPACK YOUR FIXTURE



2

PREPARE FIXTURE AND MOUNTING PLATE

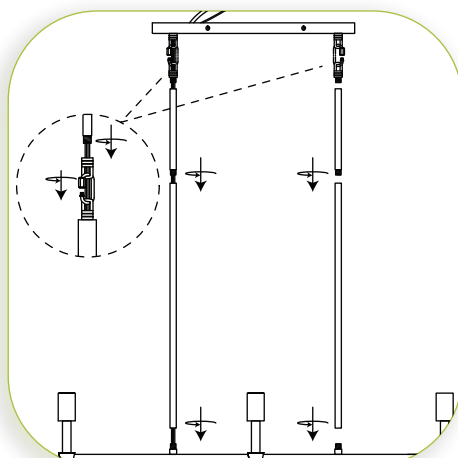
Remove the mounting plate from the canopy by unscrewing the side screws from the canopy.



3

INSTALL MOUNTING PLATE

If there is an existing fixture, remove it. Expose the supply wires from the J-box. Insert supply wires through the mounting plate. Secure mounting plate using two Phillips head screws provided. Hand tighten to secure.

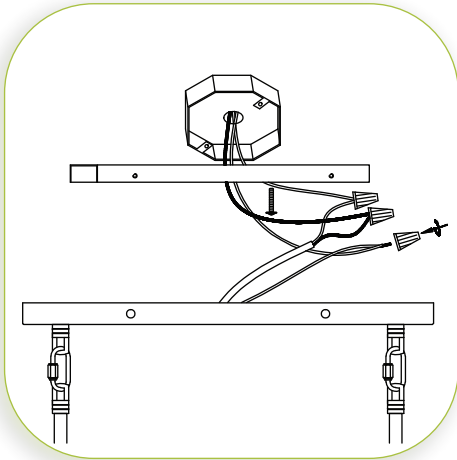


4

DETERMINE DESIRED HEIGHT

Note: Electrical wires will only go up one side of rods. The other side will not have any wires inside.

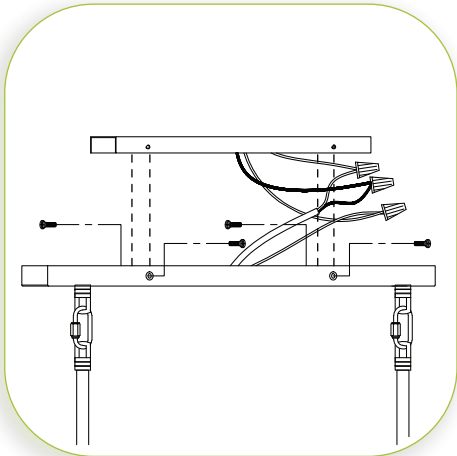
Measure fixture to desired height. Please note this must be done in 6" increments. Once determined, insert wires through one rod at a time. Then thread the rods together once completed. At the top of the last rod, thread the fixture loop on the end. Repeat the same step to the other set of rods, except you will not be inserting a wire inside. Then using the adjustable chain link, connect the fixture loop to canopy. Insert the wire through the canopy loop on one side. Connect both canopy loops and secure by hand tightening the threaded coupler. Cut power supply leaving at least 12"-18" above, for minor adjustments.



5

MAKE WIRE CONNECTIONS

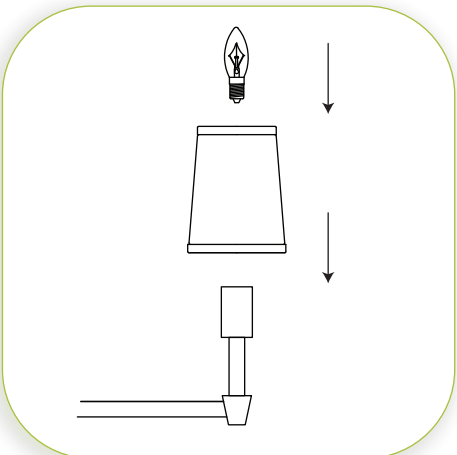
Connect BLACK fixture wire to the BLACK supply wire and WHITE fixture wire to the WHITE supply wire. Connect the fixture GROUND wire to the J-Box GROUND wire. Secure all connections with the supplied wire nuts and electrical tape (not supplied). Tuck all wires carefully into the J-Box.



6

INSTALL FIXTURE TO THE MOUNTING PLATE

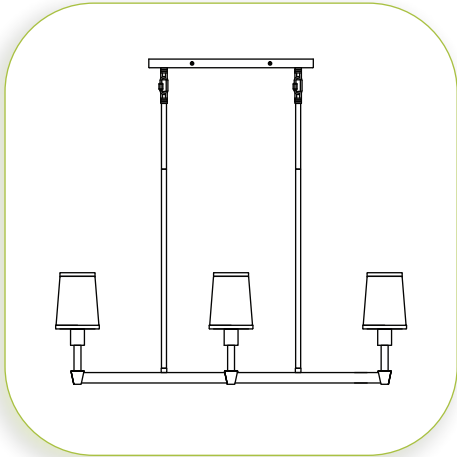
Position canopy over the mounting plate. Align the holes with the side of canopy and secure with the supplied screws.



7

INSTALL SHADES AND BULBS

Securely install the shades onto the sockets. Then, through the top of the shades, install the bulbs onto the sockets
MAXIMUM WATTAGE 40W PER SOCKET.
DO NOT EXCEED THE WATTAGE AS STATED ON THE WARNING LABEL.



8

RESTORE THE ELECTRICITY AND CHECK THE OPERATION OF YOUR NEW FIXTURE



DIMMER NOTE

For the best lighting experience, we recommend using a dimmer. Not only does this allow you to create a great ambiance, it allows for energy savings and extends the life of the bulbs.