

INSTALLATION INSTRUCTIONS



Lights.com

IMPORTANT

Before opening your Lights.com fixture, please make sure that you carefully read through these instruction sheets. Consider having your fixture installed by a qualified licensed electrician.

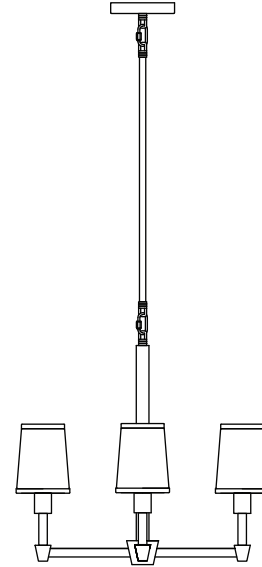
NOTE: The important safeguards and instructions that appear in this manual are not meant to cover all possible conditions and situations that may occur. It must be understood that common sense, caution and care, are factors that can't be built into any product. This approach must be used by the person(s) caring for and operating the fixture.

GENERAL INFORMATION

All electrical connections must be in accordance with all ordinances, local and national electrical codes. These fixtures are intended for mounting to a standard 4" x 2-1/2" metal octagon box. The box must be directly supported by the building structure and U.L. Recognized.

STEP BY STEP INSTRUCTIONS

Before starting your installation disconnect the power by turning off the circuit breaker or by removing the fuse at the fuse box. Just turning the light off at the light switch is not sufficient to prevent electrical shock.



COLLECTION

Kingston

APPLICATION

Chandelier

MODEL NO.

LC004575-AB

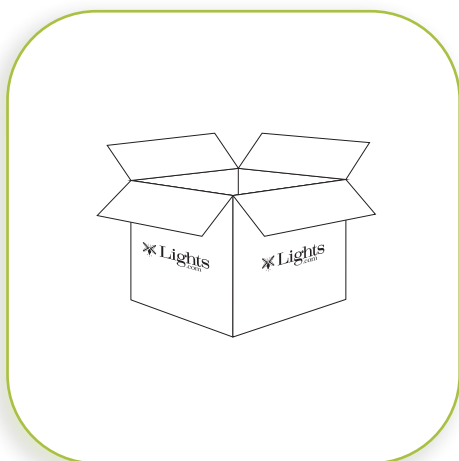
LC004575-PN

WHAT WE PROVIDE

- Mounting & Wiring Hardware
- 4 Glass Shades
- Canopy Kit
- One 6", Two 12", and One 18" Rods

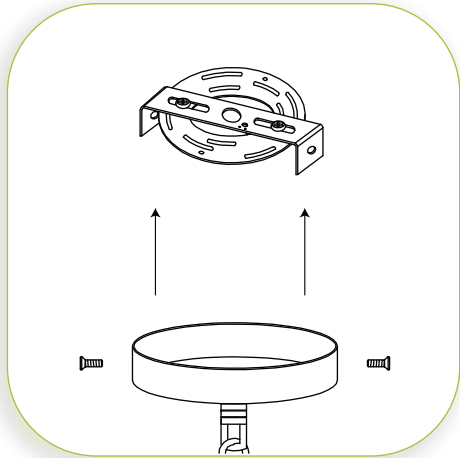
WHAT YOU NEED

- Phillips Screwdriver
- Wire Cutters
- Wiring Supplies as Specified by Electrical Code
- Electrical Tape
- 4x 40W E12 Bulbs



1

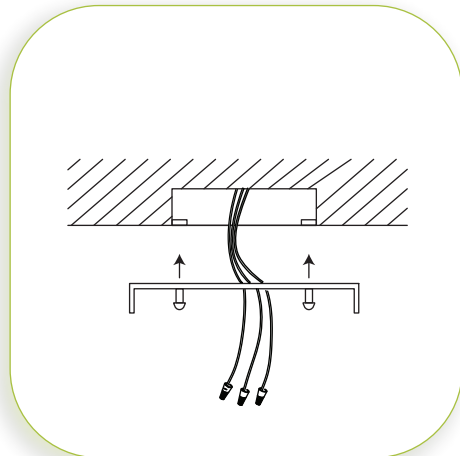
UNPACK YOUR FIXTURE



2

PREPARE FIXTURE AND MOUNTING PLATE

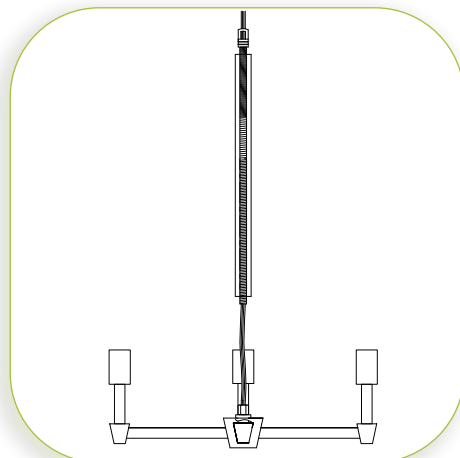
Remove the mounting plate from the canopy by unscrewing the side screws from the canopy.



3

INSTALL MOUNTING PLATE

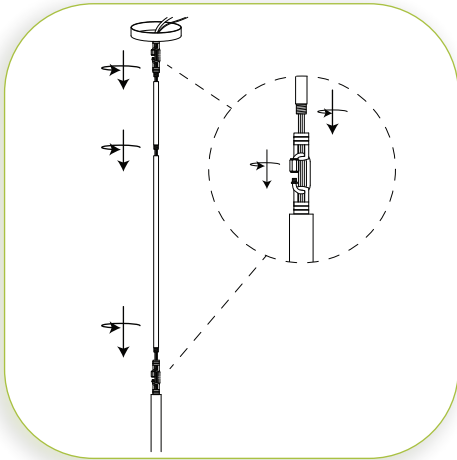
If there is an existing fixture, remove it. Expose the supply wires from the J-box. Insert supply wires through the mounting plate. Secure mounting plate using two Phillips head screws provided. Hand tighten to secure.



4

INSTALL THREADED PIPE & FIXTURE STEM

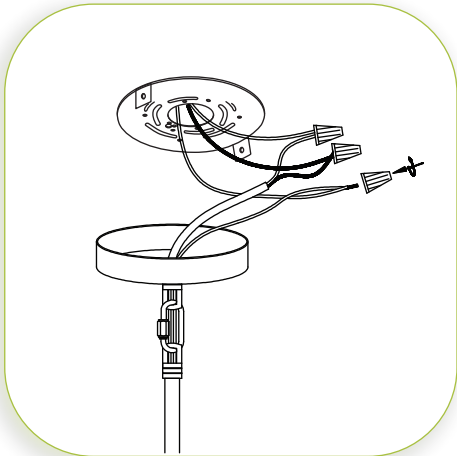
Insert the wires through the bottom of the threaded pipe and out through the fixture loop. Then, slide the stem down onto the top of the fixture frame and install the threaded pipe into the center coupler. **Note: Hold fixture wires up while turning the fixture loop and threaded pipe onto the coupler to avoid twisting and tangling of the wires.** Hand tighten to secure.



5

DETERMINE HEIGHT

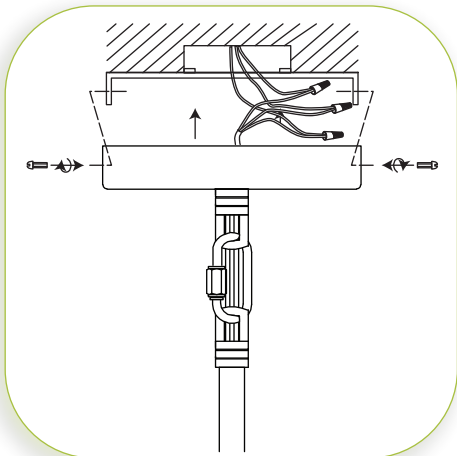
Measure fixture to desired height. Please note this must be done in 6" increments. Once determined, insert the wire through the fixture loop then one rod at a time. Then thread the rods together once completed. At the top of the last rod, thread the other fixture loop on the end. Then, using the adjustable chain link, connect the fixture loop to the center column. On the other side of the rod, using the second adjustable chain link, connect the fixture loop to the canopy. Secure both adjustable chain links by hand tightening the threaded coupler. Cut power supply cord leaving at least 12" to 18" above the canopy for minor adjustments. **Note: After connecting rods to desired height you should have a fixture loop on each end.**



6

MAKE WIRE CONNECTIONS

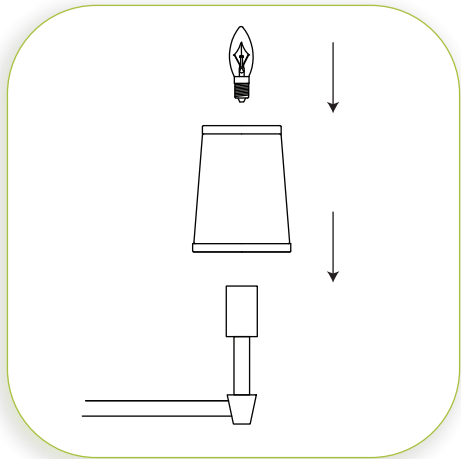
Connect BLACK fixture wire to the BLACK supply wire and WHITE fixture wire to the WHITE supply wire. Connect the fixture GROUND wire to the J-Box GROUND wire. Secure all connections with the supplied wire nuts and electrical tape (not supplied). Tuck all wires carefully into the J-Box.



7

INSTALL FIXTURE TO THE MOUNTING PLATE

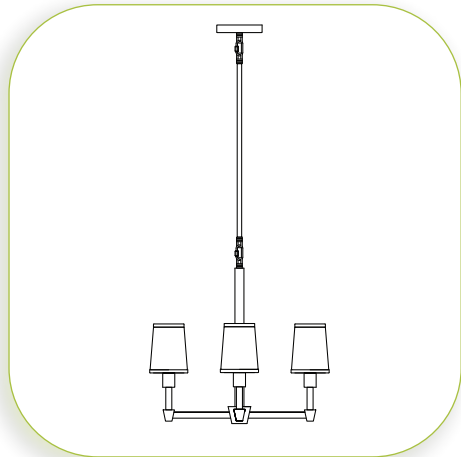
Position canopy over the mounting plate. Align the holes with the side of canopy and secure with the supplied screws.



8

INSTALL SHADES AND BULBS

Securely install the shades onto the sockets. Then, through the top of the shades, install the bulbs onto the sockets. **MAXIMUM WATTAGE 40W PER SOCKET.** DO NOT EXCEED THE WATTAGE AS STATED ON THE WARNING LABEL.



9

RESTORE THE ELECTRICITY AND CHECK THE OPERATION OF YOUR NEW FIXTURE



DIMMER NOTE

For the best lighting experience, we recommend using a dimmer. Not only does this allow you to create a great ambiance, it allows for energy savings and extends the life of the bulbs.