

INSTALLATION INSTRUCTIONS



IMPORTANT

Before opening your Lights.com fixture, please make sure that you carefully read through these instruction sheets. Consider having your fixture installed by a qualified licensed electrician.

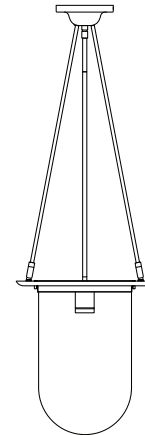
NOTE: The important safeguards and instructions that appear in this manual are not meant to cover all possible conditions and situations that may occur. It must be understood that common sense, caution and care, are factors that can't be built into any product. This approach must be used by the person(s) caring for and operating the fixture.

GENERAL INFORMATION

All electrical connections must be in accordance with all ordinances, local and national electrical codes. These fixtures are intended for mounting to a standard 4" x 2-1/2" metal octagon box. The box must be directly supported by the building structure and U.L. Recognized.

STEP BY STEP INSTRUCTIONS

Before starting your installation disconnect the power by turning off the circuit breaker or by removing the fuse at the fuse box. Just turning the light off at the light switch is not sufficient to prevent electrical shock.



COLLECTION

Regent

APPLICATION

Pendant

MODEL NO.

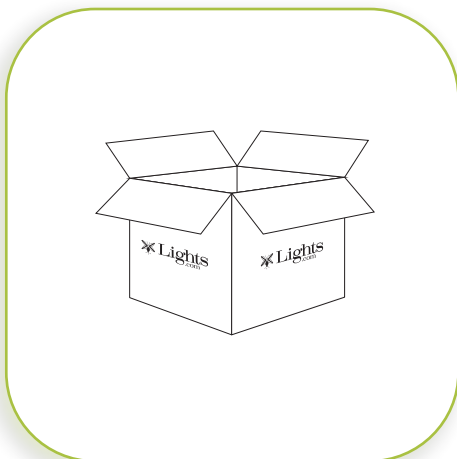
LC004443
LC004444
LC004447
LC004448
LC004451
LC004452

WHAT WE PROVIDE

- Mounting & Wiring Hardware
- Cylinder Glass Shade
- One 3" Center Rod, Three 3" Side Rods, Two 6" Center Rods, Six 6" Side Rods, Two 12" Center Rods, Six 12" Side Rods, One 18" Center Rod, Three 18" Side Rods

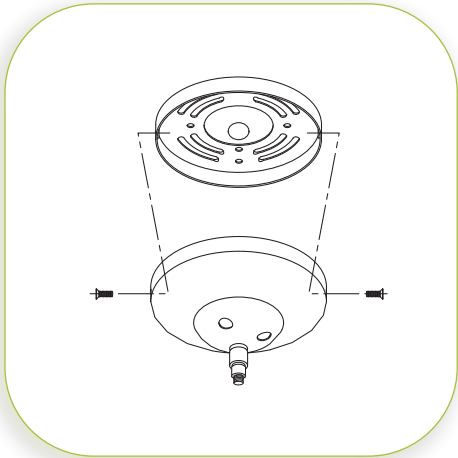
WHAT YOU NEED

- Phillips Head Screwdriver
- Wire Cutters
- Wiring Supplies as Specified by Electrical Code
- 1 x 60W E26 Bulb
- Electrical Tape



1

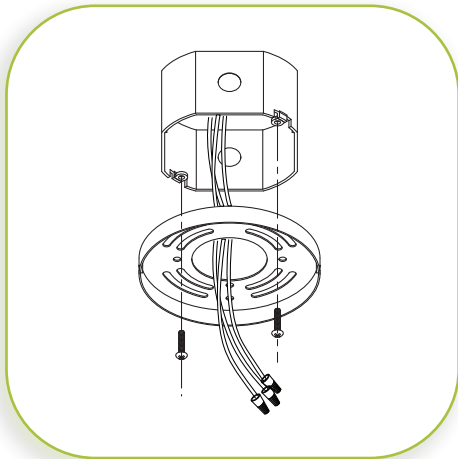
UNPACK YOUR FIXTURE



2

PREPARE FIXTURE AND MOUNTING PLATE

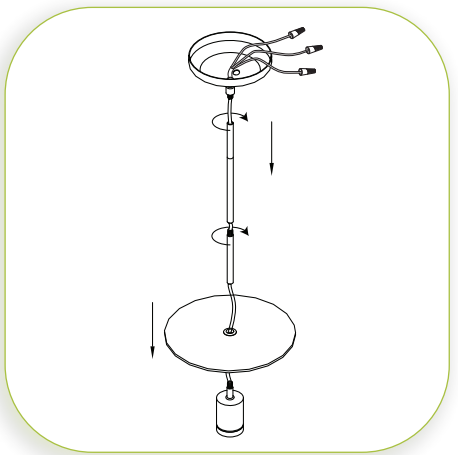
Remove the mounting plate from the canopy by unscrewing the side screws from the canopy.



3

INSTALL MOUNTING PLATE

If there is an existing fixture, remove it. Expose the supply wires from the J-box. Insert supply wires through the mounting plate. Secure mounting plate using two Phillips head screws provided. Hand tighten to secure.

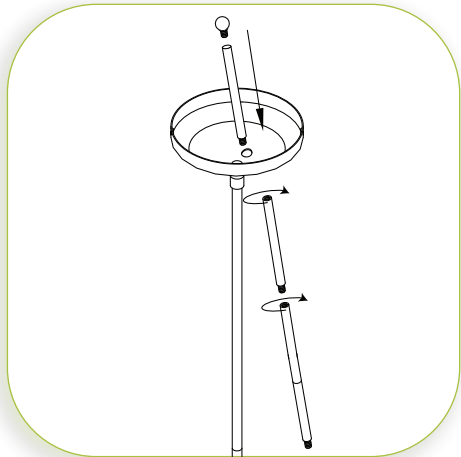


4

DETERMINE HEIGHT

Measure fixture to desired height. Please note this must be done in 3" increments. Once determined, thread the fixture wires through the glass plate, center rods and then through the sloped ceiling adapter and canopy. Once rods are connected to the top of the glass and pendant, thread included sloped ceiling adapter and canopy onto the top of the rods. Cut power supply leaving at least 12-18" above, for minor adjustments.

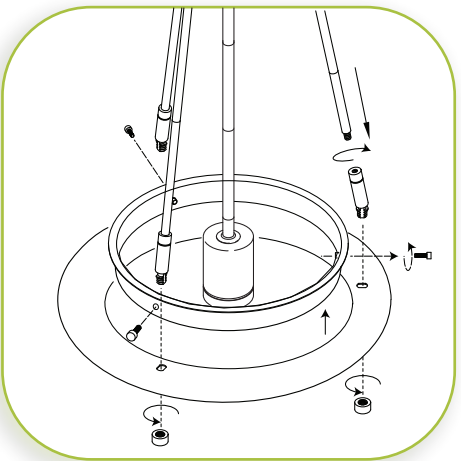
NOTE: Make sure the flat side of the rubber washer on the glass plate is on the bottom side facing down.



5

INSTALL SIDE RODS

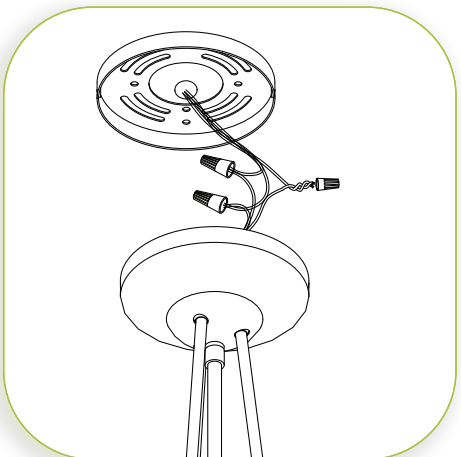
Install the threaded ball cap onto the top rod and then insert the rod into the hole on top of the canopy. Connect the rest of the side rods one by one, matching the length of the center rods. Repeat steps with the other side rod sets.



6

INSTALL FIXTURE RING

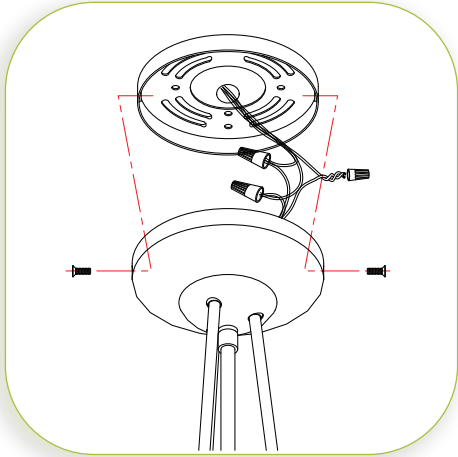
Remove thumb screws from the inside ring and lift the inside ring from the middle of the outer ring. Flip the outer ring upside-down making sure the outer ring is curved upward. Place the inside ring back into the middle of the outer ring and slightly screw the thumb screws into the inside ring. Install the side rods onto the outer ring using adapters and align the holes of the fixture ring to the ends of the adapters. Secure with the supplied decorative nuts. **NOTE: Make sure the glass plate is securely set into the fixture ring.**



7

MAKE WIRE CONNECTIONS

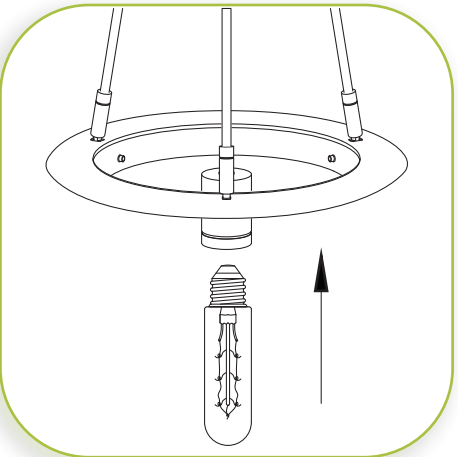
Connect BLACK fixture wire to the BLACK supply wire and WHITE fixture wire to the WHITE supply wire. Connect the fixture GROUND wire to the J-Box GROUND wire. Secure all connections with the supplied wire nuts and with electrical tape (not supplied). Tuck all wires carefully into the J-Box.



8

INSTALL FIXTURE TO THE MOUNTING PLATE

Position canopy over the mounting plate. Align the two holes with the side of canopy and secure with the supplied screws.



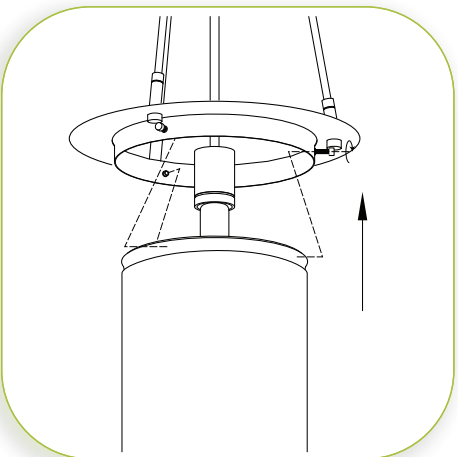
9

INSTALL THE BULB

Install the bulb.

MAXIMUM WATTAGE 60W.

DO NOT EXCEED THE WATTAGE AS STATED ON THE WARNING LABEL.

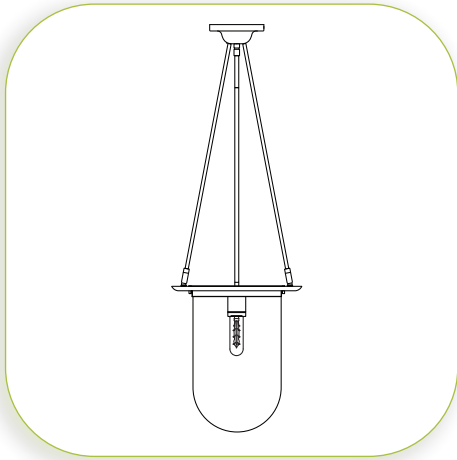


10

INSTALL GLASS SHADE

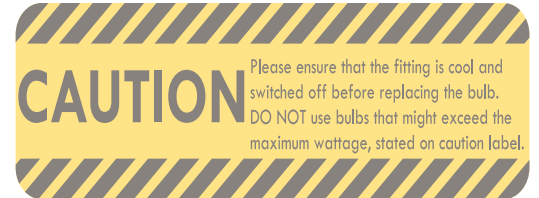
Position glass shade onto the bottom of the fixture ring.

Secure the glass shade into place using the thumb screws provided. Do not over tighten.



11

RESTORE THE ELECTRICITY AND CHECK THE OPERATION OF YOUR NEW FIXTURE



DIMMER NOTE

Note: For the best lighting experience, we recommend using a dimmer. Not only does this allow you to create a great ambiance, it allows for energy savings and extends the life of the bulbs.