

INSTALLATION INSTRUCTIONS



IMPORTANT

Before opening your Lights.com fixture, please make sure that you carefully read through these instruction sheets. Consider having your fixture installed by a qualified licensed electrician.

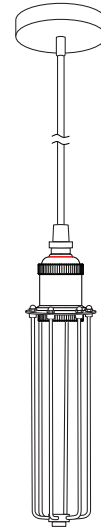
NOTE: The important safeguards and instructions that appear in this manual are not meant to cover all possible conditions and situations that may occur. It must be understood that common sense, caution and care, are factors that can't be built into any product. This approach must be used by the person(s) caring for and operating the fixture.

GENERAL INFORMATION

All electrical connections must be in accordance with all ordinances, Local and National Electrical Codes. These fixtures are intended for mounting to a standard 4" x 2-1/2" metal octagon box. The box must be directly supported by the building structure and U.L. Recognized.

STEP BY STEP INSTRUCTIONS

Before starting your installation, disconnect the power by turning off the circuit breaker or by removing the fuse at the fuse box. Just turning the light off at the light switch is not sufficient to prevent electrical shock.



COLLECTION

Alton

APPLICATION

Pendant

MODEL NO.

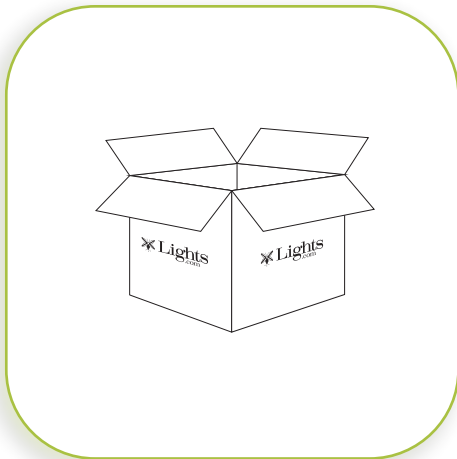
LC004403
LC004407
LC004411
LC004413

WHAT WE PROVIDE

- Alton Pendant
- Wire Nuts and Mounting Hardware
- Slim Cage

WHAT YOU NEED

- Phillips Head Screwdriver
- Wire Cutters
- Wiring Supplies as Specified by Electrical Code
- 1 x 60W E26 Bulb
- Electrical Tape



1

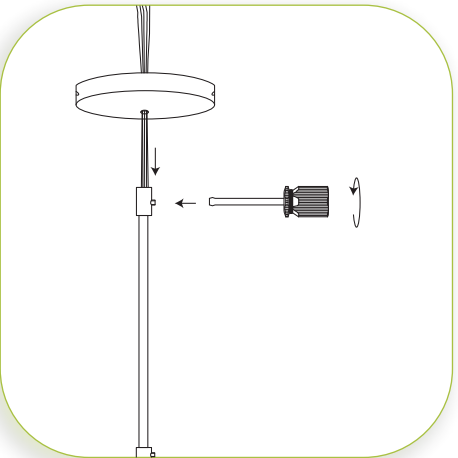
UNPACK YOUR FIXTURE



2

PREPARE FIXTURE AND INSTALL MOUNTING PLATE

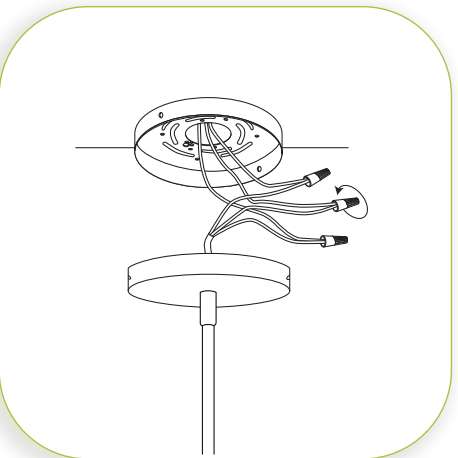
If there is an existing fixture, remove it. Expose the supply wires from the J-box. Insert supply wires through the mounting plate. Secure mounting plate using the two Phillips head screws provided. Hand tighten to secure.



3

DETERMINE DESIRED HEIGHT

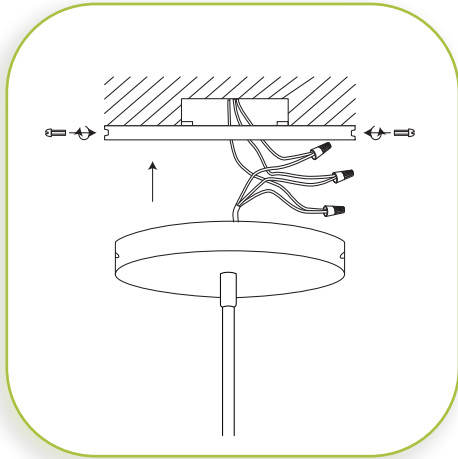
Loosen screw on decorative nut below canopy with Flathead screwdriver. Slide canopy down 12" to 18" below desired height. Let sit while preparing the wiring. Cut power supply cord leaving 6" to 12" above desired height for minor adjustments.



4

MAKE WIRE CONNECTIONS

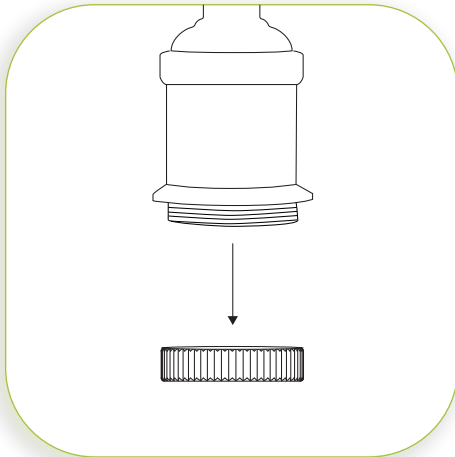
Connect the BLACK supply wire to the BLACK fixture wire and WHITE supply wire to the WHITE fixture wire. Secure with the supplied wire nuts. Either wrap the green wire around one of the protruding screws on the mounting plate or connect it to the ground wire. Secure all wires with electrical tape (not supplied). Tuck all wires carefully into the J-Box.



5

INSTALL FIXTURE TO THE MOUNTING PLATE

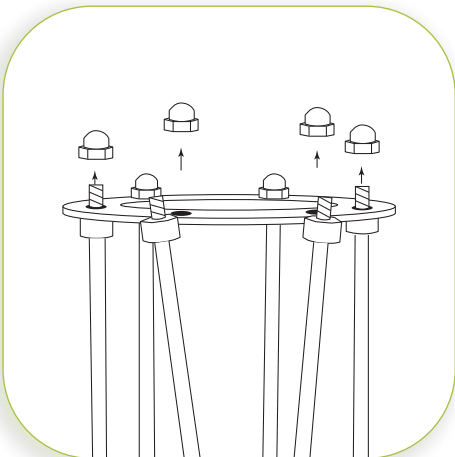
Position canopy over the mounting plate. Align the holes on the sides of the mounting plate with the two holes on the sides of the canopy and secure with the supplied screws.



6

REMOVING DECORATIVE RING

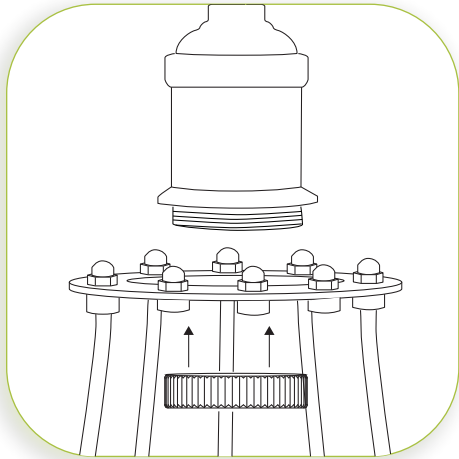
Remove the decorative ring from the socket.



7

OPENING CAGE

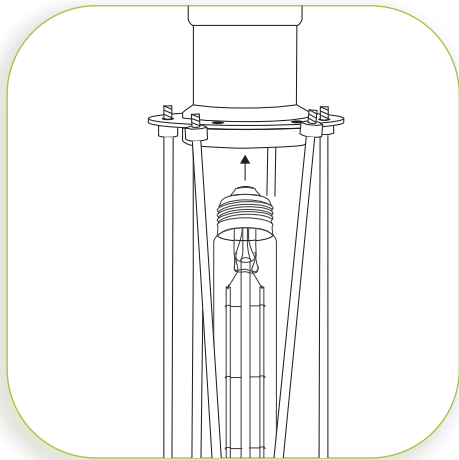
Open cage by removing 4 nuts from the top of the cage. This will allow you to open two of the bars to slide a bulb in. *This is not required if using our Cobble Hill Brooklyn Co. Bulb.



8

ATTACHING CAGE

Attach cage to the socket and secure in place with socket ring.



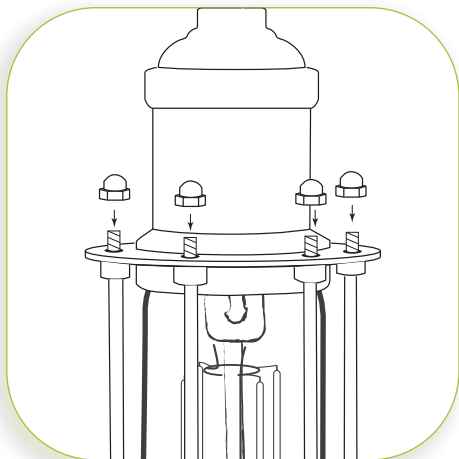
9

INSTALL BULB

Insert bulb into threaded socket.

MAXIMUM WATTAGE 60W.

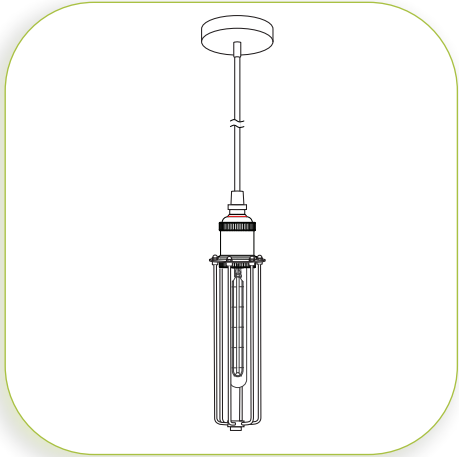
DO NOT EXCEED THE WATTAGE AS STATED ON THE WARNING LABEL.



10

SECURE CAGE BARS

Re-secure the bars of the cage using the nuts removed in Step 7.



11

DIMMER NOTE

**RESTORE THE ELECTRICITY AND
CHECK THE OPERATION OF YOUR
NEW FIXTURE**

CAUTION

Please ensure that the fitting is cool and switched off before replacing the bulb. DO NOT use bulbs that might exceed the maximum wattage, stated on caution label.

Note: For the best lighting experience, we recommend using a dimmer. Not only does this allow you to create a great ambience, it allows for energy savings and extends the life of the bulb.