

INSTALLATION INSTRUCTIONS



Lights.com

IMPORTANT

Before opening your Lights.com fixture, please make sure that you carefully read through these instruction sheets. Consider having your fixture installed by a qualified licensed electrician.

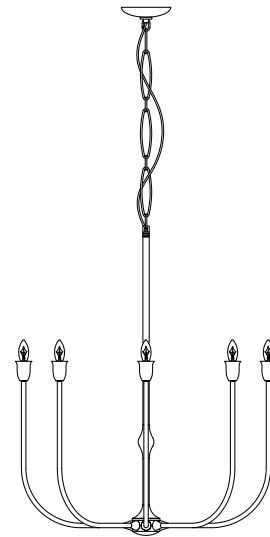
NOTE: The important safeguards and instructions that appear in this manual are not meant to cover all possible conditions and situations that may occur. It must be understood that common sense, caution and care, are factors that can't be built into any product. This approach must be used by the person(s) caring for and operating the fixture.

GENERAL INFORMATION

All electrical connections must be in accordance with all ordinances, local and national electrical codes. These fixtures are intended for mounting to a standard 4" x 2-1/2" metal octagon box. The box must be directly supported by the building structure and U.L. Recognized.

STEP BY STEP INSTRUCTIONS

Before starting your installation disconnect the power by turning off the circuit breaker or by removing the fuse at the fuse box. Just turning the light off at the light switch is not sufficient to prevent electrical shock.



COLLECTION

Arden

APPLICATION

Chandelier

MODEL NO.

LC004395-AB

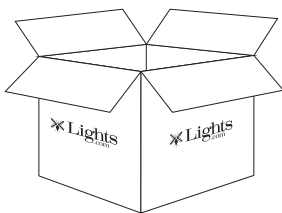
LC004395-PN

WHAT WE PROVIDE

- Mounting & Wiring Hardware
- Canopy Kit
- 6 Ft. Chain
- Canopy & Fixture Loop w/ Collar Ring
- One 17.5" Rod, One 5" Rod, & One 4" Decorative Column
- **Note: Fixture arms will require minor adjustments to ensure they are level.**

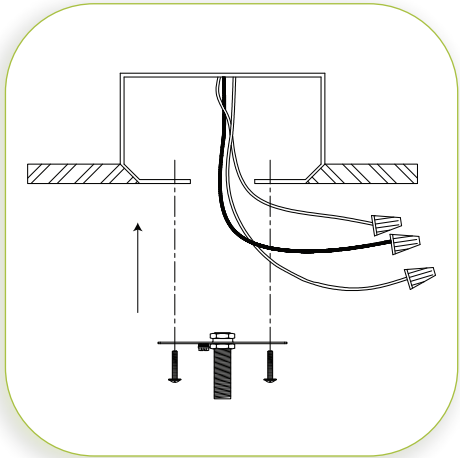
WHAT YOU NEED

- Phillips Screwdriver
- Wire Cutters
- Chain Pliers
- Wiring Supplies as Specified by Electrical Code
- Electrical Tape
- 8x 40W E12 Bulbs



1

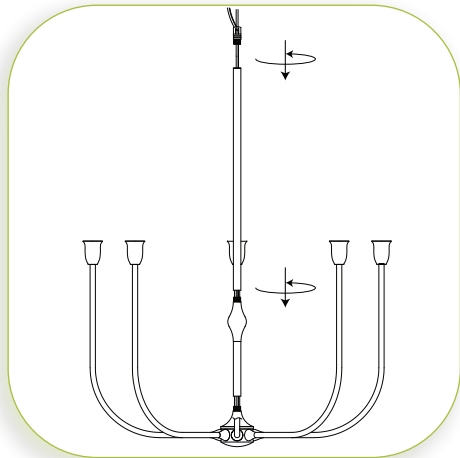
UNPACK YOUR FIXTURE



2

INSTALL MOUNTING BAR

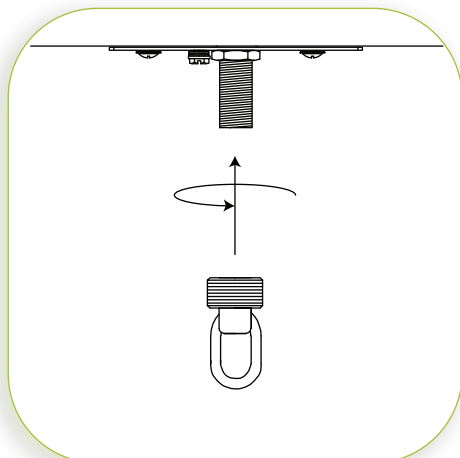
If there is an existing fixture, remove it. Expose the supply wires from the J-box. Secure mounting bar using two Phillips head screws provided. Hand tighten to secure.



3

INSTALL DECORATIVE COLUMN & FIXTURE LOOP

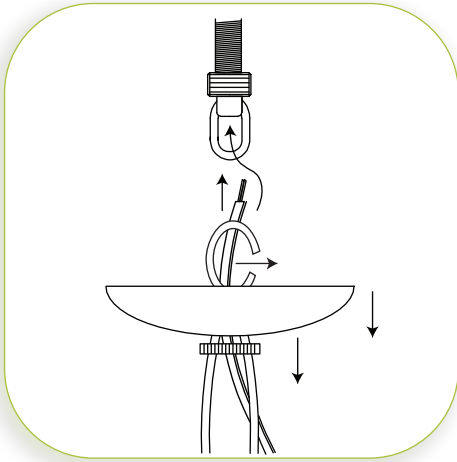
Feed fixture wire through the 5" rod, decorative column and then 17.5" rod. Connect the rods and decorative column and then install it onto the fixture. Next, remove the fixture loop from bottom of chain using chain pliers. Then thread fixture loop onto the top of the 17.5" rod.



4

INSTALL SCREW COLLAR LOOP

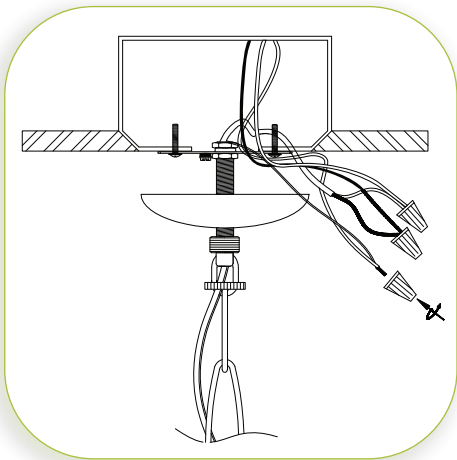
Attach screw collar loop onto the threaded nipple that is attached to the mounting bar.



5

DETERMINE HEIGHT

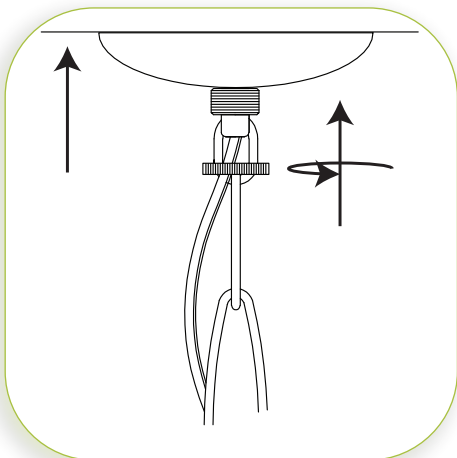
Measure fixture to desired height. **Note: Pull ends of chain link with chain pliers to open.** Spread open the chain link that you have decided will be the upper link and remove the unwanted links, placing them aside. Slide screw collar ring and canopy, in that order, over chain. **Note: The screw collar ring and canopy cannot fully slide past the large chain link.** Attach the open link to the screw collar loop and close chain link. Push the fixture wires through the center of the screw collar ring, canopy, and screw collar loop, up through the threaded nipple. Cut power supply cord leaving at least 12" to 18" above the canopy for minor adjustments. **Note: You must have the small chain link connected to the collar loop.**



6

MAKE WIRE CONNECTIONS

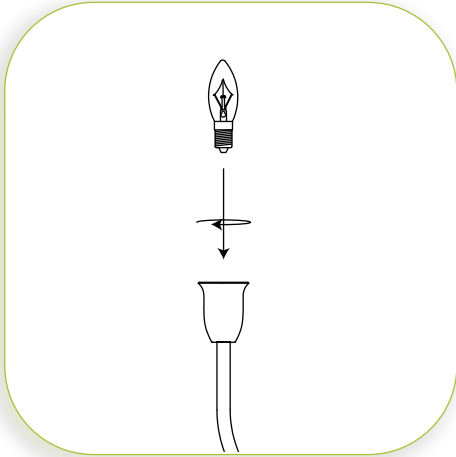
Connect BLACK fixture wire to the BLACK supply wire and WHITE fixture wire to the WHITE supply wire. Connect the fixture GROUND wire to the J-Box GROUND wire. Secure all connections with the supplied wire nuts and electrical tape (not supplied). Tuck all wires carefully into the J-Box.



7

INSTALL CANOPY

Raise the canopy against the ceiling and install the screw collar ring to the screw collar and tighten to secure. **Note: Canopy must be held flush with the ceiling and completely cover the junction box.**



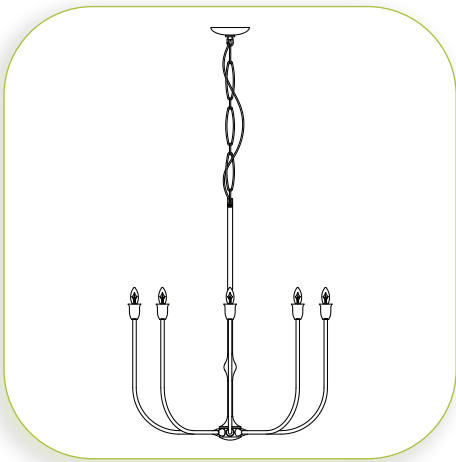
8

INSTALL BULBS

Install the bulbs.

MAXIMUM WATTAGE 40W.

DO NOT EXCEED THE WATTAGE AS STATED ON THE WARNING LABEL.



9

RESTORE THE ELECTRICITY AND CHECK THE OPERATION OF YOUR NEW FIXTURE



DIMMER NOTE

For the best lighting experience, we recommend using a dimmer. Not only does this allow you to create a great ambiance, it allows for energy savings and extends the life of the bulbs.