

INSTALLATION INSTRUCTIONS



IMPORTANT

Before opening your Lights.com fixture, please make sure that you carefully read through these instruction sheets. Consider having your fixture installed by a qualified licensed electrician.

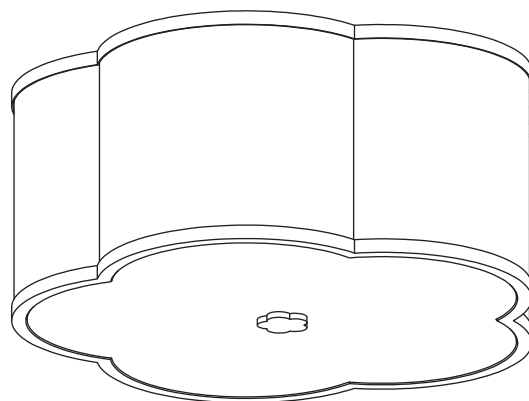
NOTE: The important safeguards and instructions that appear in this manual are not meant to cover all possible conditions and situations that may occur. It must be understood that common sense, caution and care, are factors that can't be built into any product. This approach must be used by the person(s) caring for and operating the fixture.

GENERAL INFORMATION

All electrical connections must be in accordance with all ordinances, local and national electrical codes. These fixtures are intended for mounting to a standard 4" x 2-1/2" metal octagon outlet box. The box must be directly supported by the building structure and U.L. Recognized.

STEP BY STEP INSTRUCTIONS

Before starting your installation, disconnect the power by turning off the circuit breaker or by removing the fuse at the fuse box. Just turning the light off at the light switch is not sufficient to prevent electrical shock.



COLLECTION

Isla

APPLICATION

Flush Mount

MODEL NO.

LC004389-AB

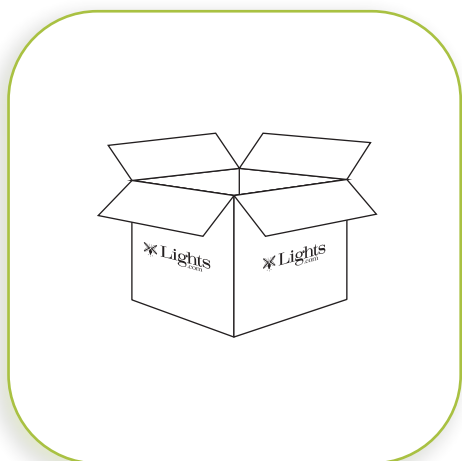
LC004389-PN

WHAT WE PROVIDE

- Mounting & Wiring Hardware
- Flush Mount with Integrated LED Module
- 1 x Glass Diffuser

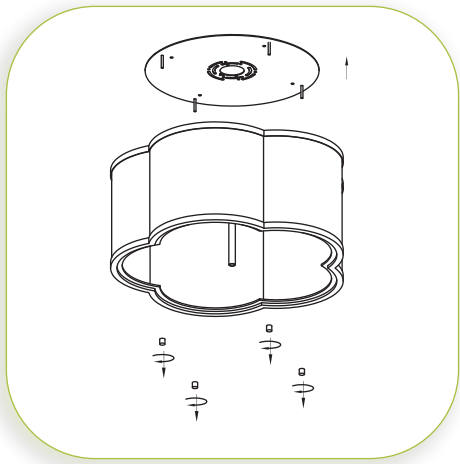
WHAT YOU NEED

- Phillips Screwdriver
- Wire Cutters
- Wiring Supplies as Specified by Electrical Code
- Electrical Tape
- Hammer & Nail



1

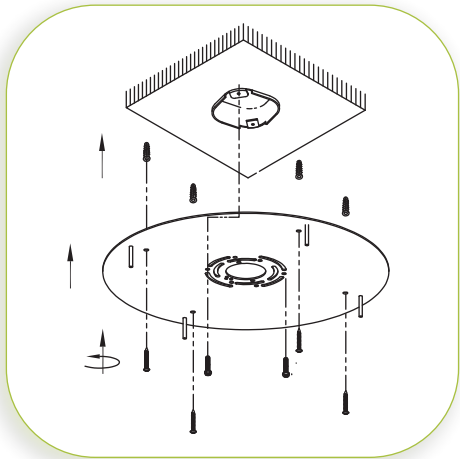
UNPACK YOUR FIXTURE



2

REMOVE MOUNTING PLATE FROM FIXTURE

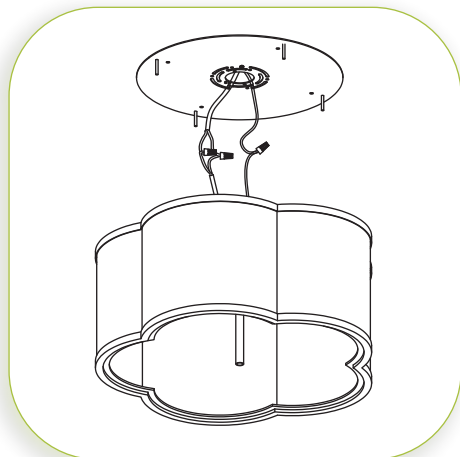
Remove the mounting plate by unscrewing the three decorative nuts mounted inside the flush mount.



3

INSTALL MOUNTING PLATE

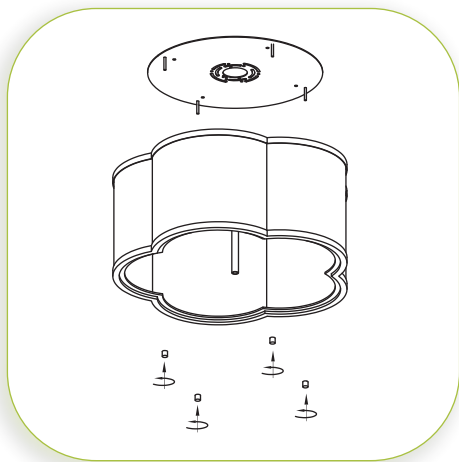
If there is an existing fixture, remove it. Expose the supply wires from the J-box. Align the mounting plate to the holes from the J-box and mark points in the ceiling where the anchors are to be mounted using the holes from the mounting plate as a guide. Set aside the mounting plate. Take a nail and, with a hammer, tap a “pilot hole” into the ceiling at the marked point. **DO NOT** make the hole wider than the anchor. You may also use a drill with a drill bit smaller than the anchor. Place the anchor over the hole and firmly tap it in until the anchor is flush with the ceiling. Insert supply wires through the mounting plate and align the mounting plate to the anchors in the ceiling and holes from the J-box. Secure mounting plate to J-Box using two Phillips head screws provided. Next, secure the mounting plate onto the anchors and flush against the ceiling using the screws supplied. Tighten to secure.



4

MAKE WIRE CONNECTIONS

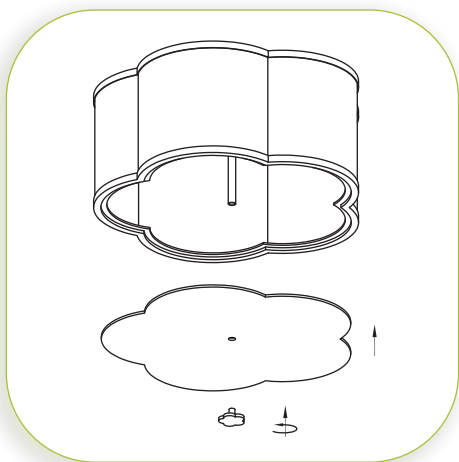
Connect BLACK fixture wire to the BLACK supply wire and the WHITE fixture wire to the WHITE supply wire. Connect the fixture ground wire to the J-Box ground wire or wrap around one of the protruding screws on the mounting plate. Secure all wire connections with the supplied wire nuts and with electrical tape (not supplied). Tuck all wires carefully into the J-Box.



5

MOUNT THE CEILING FIXTURE

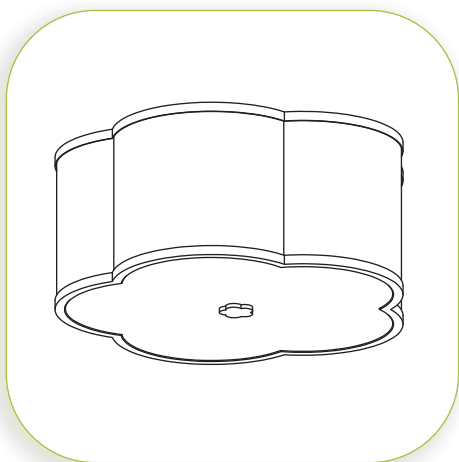
Align the ceiling fixture to the screws protruding from the ceiling. Next, secure the ceiling fixture flush against the ceiling using the four nuts supplied. Hand tighten to secure.



6

ATTACH GLASS DIFFUSER

Place the glass diffuser over the bottom of the fixture and secure using decorative finial. **Note: Make sure to use the silicone washer between the decorative finial and the glass.** DO NOT over tighten.



7

RESTORE THE ELECTRICITY AND CHECK THE OPERATION OF YOUR NEW FIXTURE

NOTE: This is a light emitting diode (LED) fixture. The LED board is fixed to the inside of the flush mount. This is your light source. The fixture is rated to last upwards of 50,000 hours.

DIMMER NOTE

For the best lighting experience, we recommend using a dimmer. Not only does this allow you to create a great ambiance, it allows for energy savings and extends the life of the LEDs.