

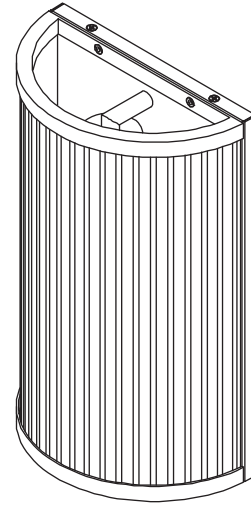
INSTALLATION INSTRUCTIONS



IMPORTANT

Before opening your Lights.com fixture, please make sure that you carefully read through these instruction sheets. Consider having your fixture installed by a qualified licensed electrician.

NOTE: The important safeguards and instructions that appear in this manual are not meant to cover all possible conditions and situations that may occur. It must be understood that common sense, caution and care, are factors that can't be built into any product. This approach must be used by the person(s) caring for and operating the fixture.



GENERAL INFORMATION

All electrical connections must be in accordance with all ordinances, Local and National Electrical Codes. These fixtures are intended for mounting to a standard 4" x 2-1/2" metal octagon box. The box must be directly supported by the building structure and U.L. Recognized.

STEP BY STEP INSTRUCTIONS

Before starting your installation, disconnect the power by turning off the circuit breaker or by removing the fuse at the fuse box. Just turning the light off at the light switch is not sufficient to prevent electrical shock.

COLLECTION

Harper

APPLICATION

Wall Sconce

MODEL NO.

LC004377-AB

LC004377-PN

WHAT WE PROVIDE

- Wall Sconce
- Mounting & Wiring Hardware
- 2x G9 LED Bulbs
- Allen Key

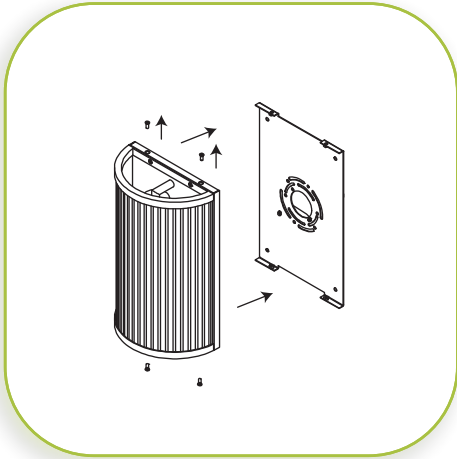
WHAT YOU NEED

- Phillips head Screwdriver
- Wire Cutters
- Wiring Supplies as Specified by Electrical Code
- Electrical Tape



1

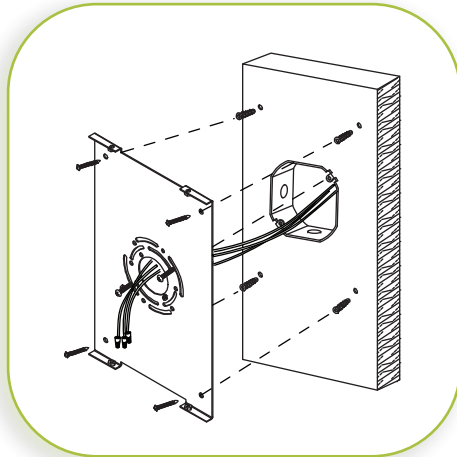
UNPACK FIXTURE



2

PREPARE FIXTURE AND MOUNTING PLATE

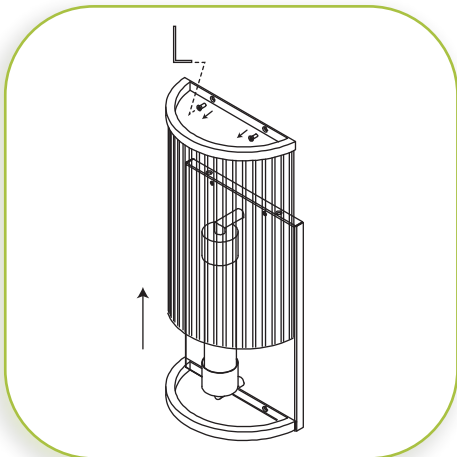
Remove the mounting plate from the backplate by unscrewing the screws from the backplate.



3

INSTALL MOUNTING PLATE

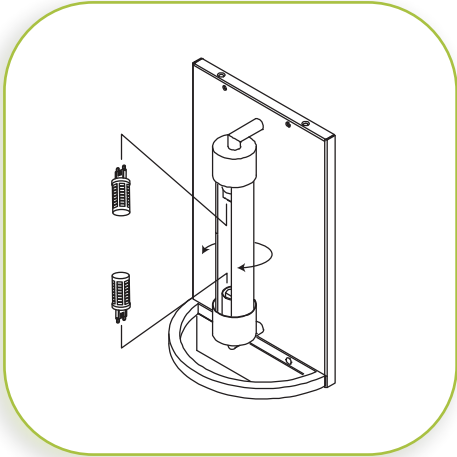
If there is an existing fixture, remove it. Expose the supply wires from the J-box. Mark points in the wall where the anchors are to be mounted using the holes from the mounting plate as a guide. Take a nail and, with a hammer, tap a “pilot hole” into the wall at the marked point. DO NOT make the hole wider than the anchor. You may also use a drill with a drill bit smaller than the anchor. Place the anchor over the hole and firmly tap it in until the anchor is flush with the wall. Insert supply wires through the mounting plate. Align the mounting plate to the anchors in the wall and secure the mounting plate to the J-box using two Phillips head screws provided. Hand tighten to secure.



4

REMOVE GLASS SHADE

Remove the top glass shade bracket from the wall sconce by unscrewing the screws from the bracket using the Allen key provided. Then, slide the glass shade up from the bottom shade bracket and safely set aside the glass shade.



5

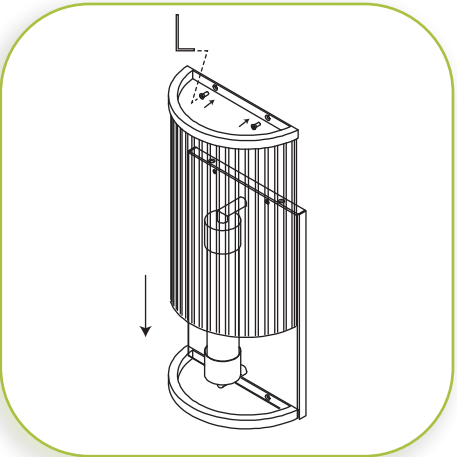
INSTALL BULBS

Carefully, turn the glass diffuser until the opening to the sockets are exposed. Install the LED bulbs (included).

Then, turn the glass diffuser until the opening is facing towards the backplate of the fixture.

MAXIMUM WATTAGE 40W.

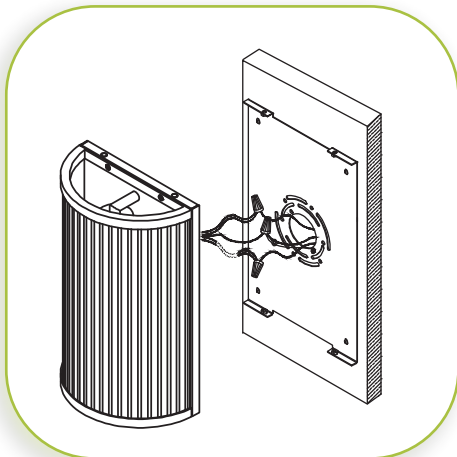
DO NOT EXCEED THE WATTAGE AS STATED ON THE WARNING LABEL.



6

INSTALL GLASS SHADE

Slide the glass shade onto the bottom shade bracket and place the top glass shade bracket on top of the glass shade. Install the bracket onto the wall sconce using the screws and Allen key provided. Hand tighten to secure.

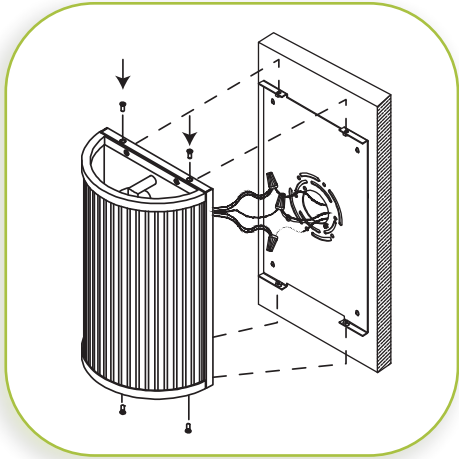


7

MAKE WIRE CONNECTIONS

Connect the BLACK fixture wire to the BLACK supply wire and the WHITE fixture wire to the WHITE supply wire.

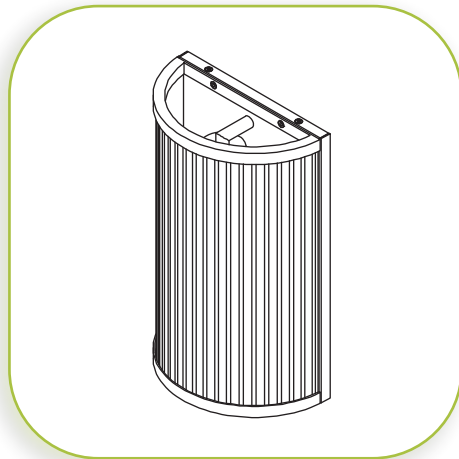
Connect the fixture ground wire to the J-BOX ground wire or wrap around one of the protruding screws on the mounting plate. Secure all connections with the supplied wire nuts and electrical tape (not supplied).



8

CONNECT FIXTURE TO THE MOUNTING PLATE

Position backplate over the mounting plate. Align the holes on the top and bottom of the mounting plate with the holes on the top and bottom of the backplate and secure with the supplied screws.



9

RESTORE THE ELECTRICITY AND CHECK THE OPERATION OF YOUR NEW FIXTURE



DIMMER NOTE

For the best lighting experience, we recommend using a dimmer. Not only does this allow you to create a great ambiance, it allows for energy savings and extends the life of the LEDs.