

## INSTALLATION INSTRUCTIONS



### IMPORTANT

Before opening your Lights.com fixture, please make sure that you carefully read through these instruction sheets. Consider having your fixture installed by a qualified licensed electrician.

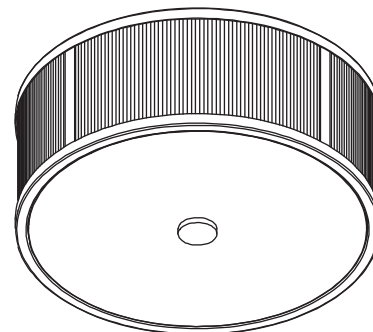
**NOTE:** The important safeguards and instructions that appear in this manual are not meant to cover all possible conditions and situations that may occur. It must be understood that common sense, caution and care, are factors that can't be built into any product. This approach must be used by the person(s) caring for and operating the fixture.

### GENERAL INFORMATION

All electrical connections must be in accordance with all ordinances, local and national electrical codes. These fixtures are intended for mounting to a standard 4" x 2-1/2" metal octagon outlet box. The box must be directly supported by the building structure and U.L. Recognized.

### STEP BY STEP INSTRUCTIONS

Before starting your installation, disconnect the power by turning off the circuit breaker or by removing the fuse at the fuse box. Just turning the light off at the light switch is not sufficient to prevent electrical shock.



### COLLECTION

Harper

### APPLICATION

Flush Mount

### MODEL NO.

LC004371-AB

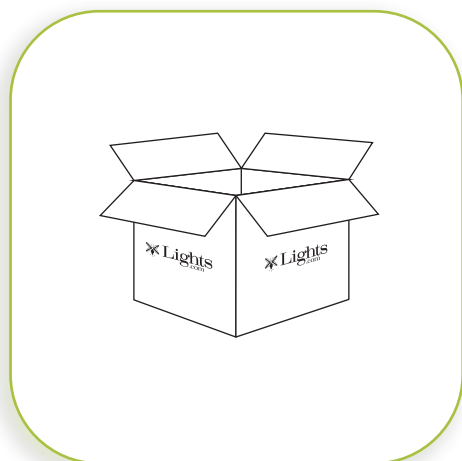
LC004371-PN

### WHAT WE PROVIDE

- Mounting & Wiring Hardware
- Glass Diffuser
- 4x G9 LED Bulbs

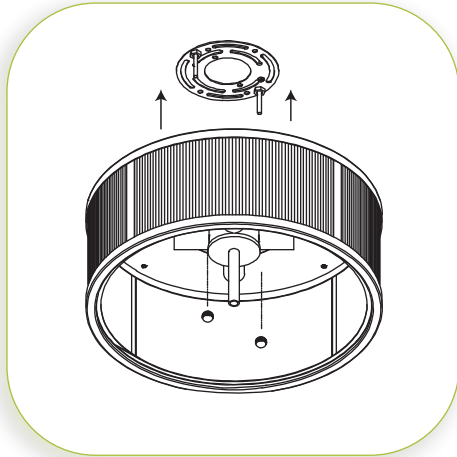
### WHAT YOU NEED

- Phillips Screwdriver
- Wire Cutters
- Wiring Supplies as Specified by Electrical Code
- Electrical Tape
- Hammer & Nail



# 1

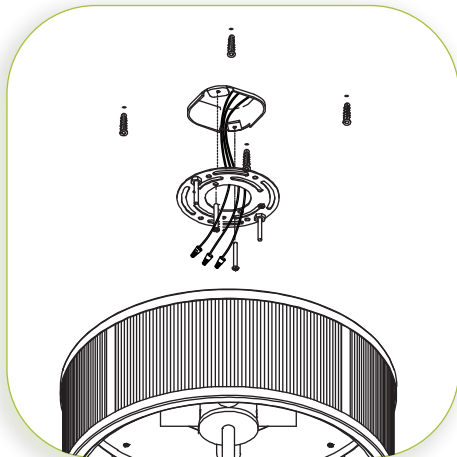
## UNPACK YOUR FIXTURE



# 2

## REMOVE MOUNTING PLATE FROM FIXTURE

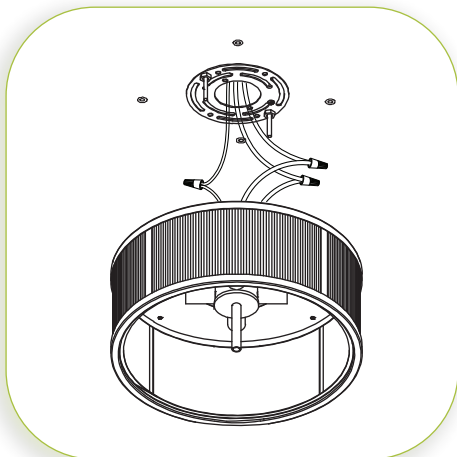
Remove the mounting plate by unscrewing the decorative cap nuts mounted inside the flush mount.



# 3

## INSTALL MOUNTING PLATE

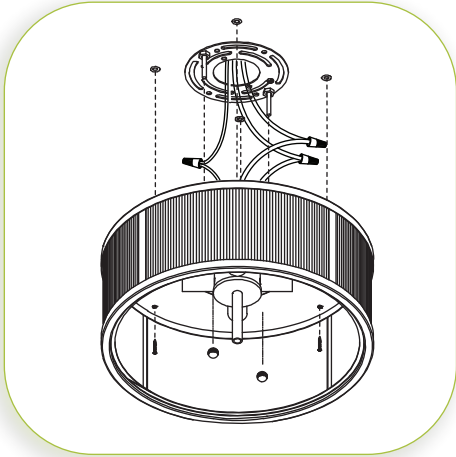
If there is an existing fixture, remove it. Expose the supply wires from the J-box. Insert supply wires through the mounting plate. Secure mounting plate using two Phillips head screws provided. Hand tighten to secure. Mark points in the ceiling where the anchors are to be mounted using the holes from the top of the fixture as a guide. Take a nail and, with a hammer, tap a "pilot hole" into the ceiling at the marked point. DO NOT make the hole wider than the anchor. You may also use a drill with a drill bit smaller than the anchor. Place the anchor over the hole and firmly tap it in until the anchor is flush with the ceiling.



# 4

## MAKE WIRE CONNECTIONS

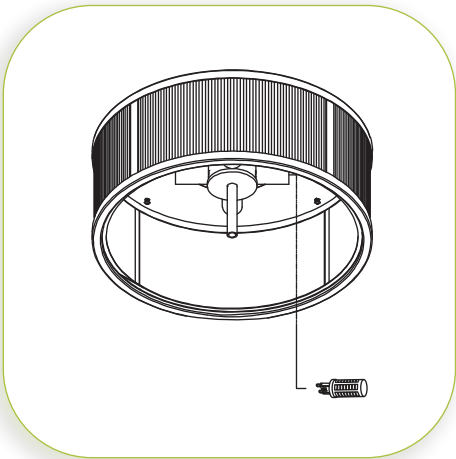
**Note: STEPS 4 & 5 may require 2 people. One to hold the pendant, while the other connects the wires and secures nuts.** Connect BLACK fixture wire to the BLACK supply wire and the WHITE fixture wire to the WHITE supply wire. Connect the fixture ground wire to the J-Box ground wire or wrap around one of the protruding screws on the mounting plate. Secure all connections with the supplied wire nuts. Secure all wire connections with electrical tape (not supplied). Tuck all wires carefully into the J-Box.



5

### INSTALL FIXTURE TO THE MOUNTING PLATE

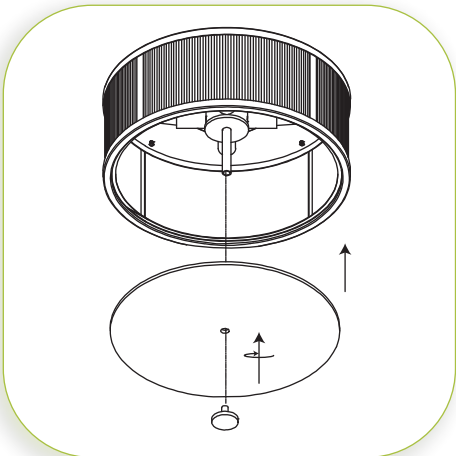
Align the fixture to the anchors in the ceiling and screws protruding from the mounting plate. Next, secure the fixture flush against the ceiling using the screws and decorative cap nuts supplied. Tighten to secure.



6

### INSTALL THE BULBS

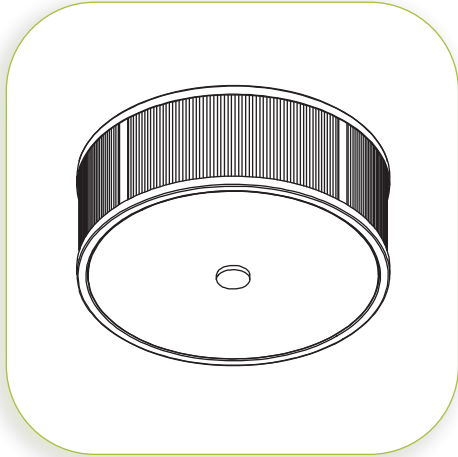
Install the bulbs. Use the LED bulbs included.  
MAXIMUM WATTAGE 40W PER SOCKET.  
DO NOT EXCEED THE WATTAGE AS STATED ON THE WARNING LABEL.



7

### ATTACH GLASS DIFFUSER

Place the glass diffuser over the bottom of the fixture and secure using decorative finial. **Note:** Make sure to use the silicone washer between the decorative finial and glass. DO NOT over tighten.



8

**RESTORE THE ELECTRICITY AND CHECK THE OPERATION OF YOUR NEW FIXTURE**

**CAUTION** Please ensure that the fitting is cool and switched off before replacing the bulb. DO NOT use bulbs that might exceed the maximum wattage, stated on caution label.

**DIMMER NOTE**

For the best lighting experience, we recommend using a dimmer. Not only does this allow you to create a great ambiance, it allows for energy savings and extends the life of the LEDs.