

# INSTALLATION INSTRUCTIONS



## IMPORTANT

Before opening your Lights.com fixture, please make sure that you carefully read through these instruction sheets. Consider having your fixture installed by a qualified licensed electrician.

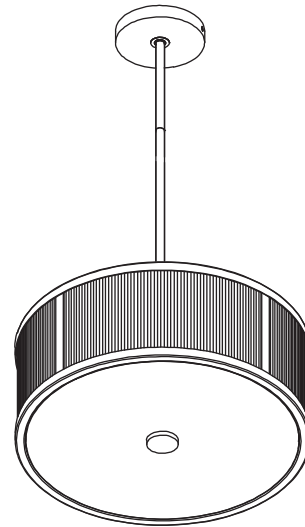
**NOTE:** The important safeguards and instructions that appear in this manual are not meant to cover all possible conditions and situations that may occur. It must be understood that common sense, caution and care, are factors that can't be built into any product. This approach must be used by the person(s) caring for and operating the fixture.

## GENERAL INFORMATION

All electrical connections must be in accordance with all ordinances, local and national electrical codes. These fixtures are intended for mounting to a standard 4" x 2-1/2" metal octagon box. The box must be directly supported by the building structure and U.L. Recognized.

## STEP BY STEP INSTRUCTIONS

Before starting your installation disconnect the power by turning off the circuit breaker or by removing the fuse at the fuse box. Just turning the light off at the light switch is not sufficient to prevent electrical shock.



### COLLECTION

Harper

### APPLICATION

Pendant

### MODEL NO.

LC004367-AB

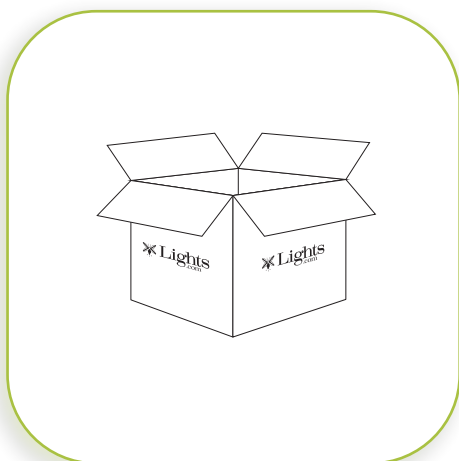
LC004367-PN

### WHAT WE PROVIDE

- Mounting & Wiring Hardware
- Glass Bottom Diffuser
- Acrylic Top Diffuser
- Canopy Kit
- 6x G9 LED Bulbs
- One 6", Two 12", and One 18" Rods

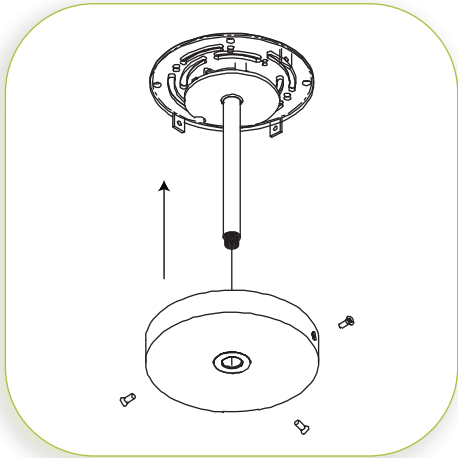
### WHAT YOU NEED

- Phillips Screwdriver
- Wire Cutters
- Wiring Supplies as Specified by Electrical Code
- Electrical Tape



# 1

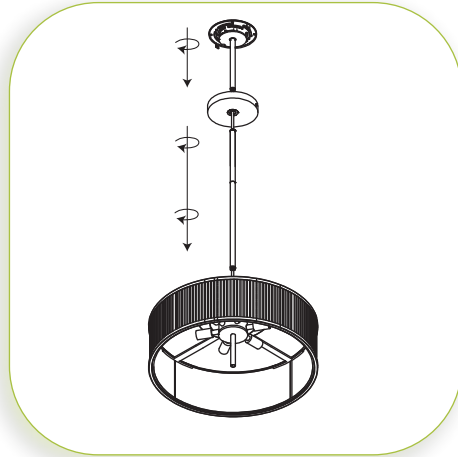
## UNPACK YOUR FIXTURE



# 2

## PREPARE FIXTURE AND MOUNTING PLATE

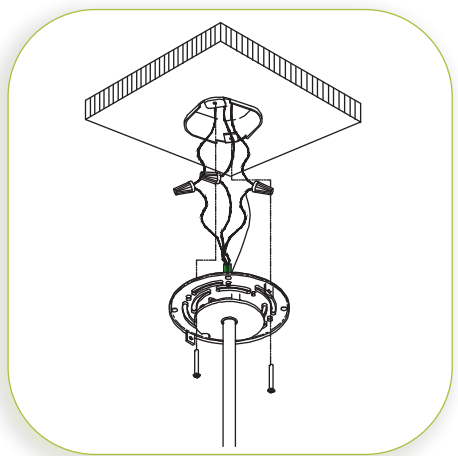
Remove the mounting plate and connected rod from the canopy by unscrewing the side screws from the canopy.



# 3

## DETERMINE HEIGHT

Measure fixture to desired height. Please note this must be done in 6" increments. Once determined, insert the wire through the top acrylic diffuser and rods. Place the acrylic diffuser on top of the pendant. Then, connect the rods one by one to the pendant. Once rods are connected, insert wire and rods through the canopy. Next, insert wire through the rod connected to the mounting plate, nipple side first, and connect to top of rods. Cut power supply cord leaving at least 12" to 18" above the canopy for minor adjustments.

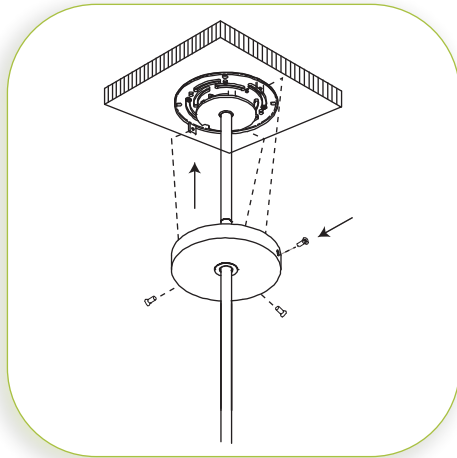


# 4

## MAKE WIRE CONNECTIONS AND INSTALL MOUNTING PLATE

**Note: STEP 4 may require 2 people. One to hold the pendant, while the other connects the wires.**

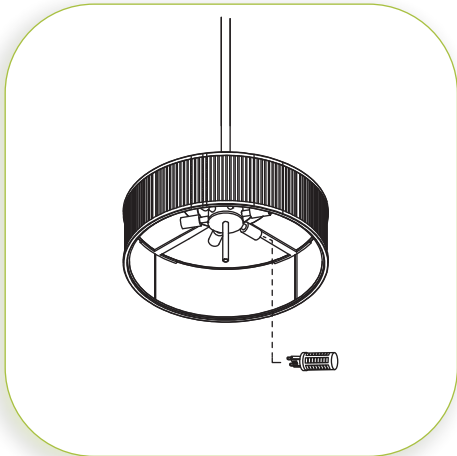
If there is an existing fixture, remove it. Expose the supply wires from the J-Box. Connect BLACK fixture wire to the BLACK supply wire and WHITE fixture wire to the WHITE supply wire. Connect the fixture GROUND wire to the J-Box GROUND wire. Secure all connections with the supplied wire nuts and with electrical tape (not supplied). Tuck all wires carefully into the J-Box. Secure mounting plate onto the J-Box using two Phillips head screws provided. Hand tighten to secure.



# 5

## INSTALL CANOPY TO THE MOUNTING PLATE

Position canopy over the mounting plate. Align the holes with the side of canopy and secure with the supplied screws.



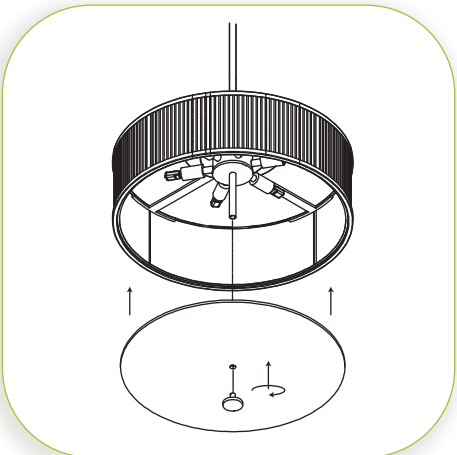
# 6

## INSTALL THE BULBS

Install the bulbs. Use the LED bulbs included.

MAXIMUM WATTAGE 40W PER SOCKET.

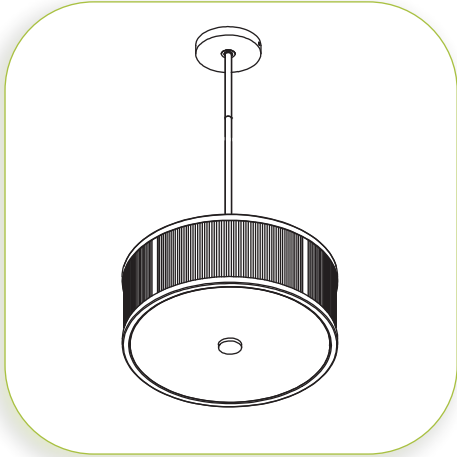
DO NOT EXCEED THE WATTAGE AS STATED ON THE WARNING LABEL.



# 7

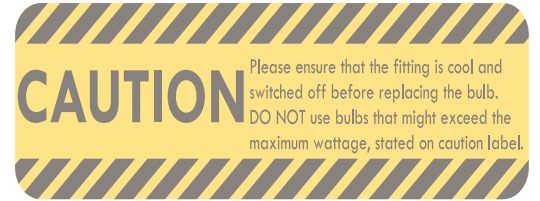
## ATTACH GLASS DIFFUSER

Place the glass diffuser onto the bottom of the fixture and secure using decorative finial. **Note: Make sure the silicone washer is between the decorative finial and glass.** DO NOT over tighten.



8

**RESTORE THE ELECTRICITY AND CHECK THE OPERATION OF YOUR NEW FIXTURE**



**DIMMER NOTE**

For the best lighting experience, we recommend using a dimmer. Not only does this allow you to create a great ambiance, it allows for energy savings and extends the life of the LEDs.