

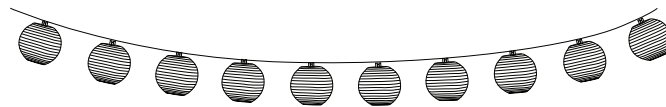
## INSTALLATION INSTRUCTIONS



### IMPORTANT

Before operating your LampLust Lantern String Lights, please make sure that you carefully read through these instruction sheets.

**NOTE:** The important safeguards and instructions that appear in this manual are not meant to cover all possible conditions and situations that may occur. It must be understood that common sense, caution and care are factors that can't be built into any product. This approach must be used by the person(s) caring for and operating the string lights.



### GENERAL INFORMATION

These string lights are suitable for indoor and outdoor use. DO NOT attempt to replace or repair any damaged cable parts. After use, ensure the string light set is clean and dry before storage.

DO NOT DISPOSE OF IN FIRE. Please dispose at your local recycling facility.

### MODEL NO.

LC004324

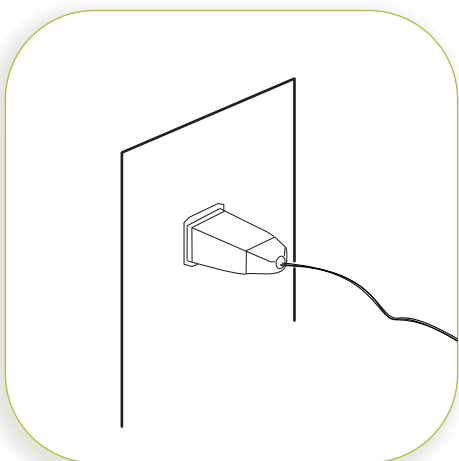
LC004325

### WHAT WE PROVIDE

- Strand of 20 String Lights with Nylon Lanterns
- 6 Additional Bulbs
- 6 Additional Fuses

### STEP BY STEP INSTRUCTIONS

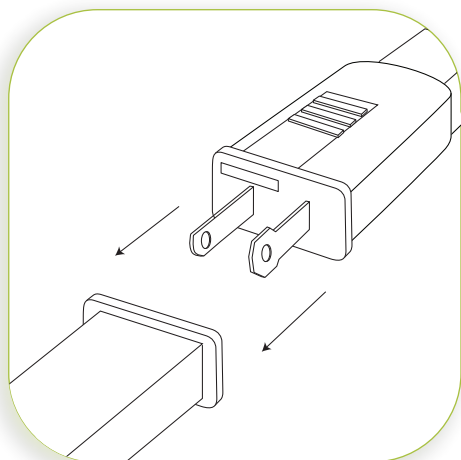
Before installing your string lights, remove packaging. When setting up the string light set, carefully position cables to avoid a tripping hazard, and when hanging lights use a stable method of support.



# 1

**PLUG IN THE STRING LIGHTS**

## INSTALLATION INSTRUCTIONS

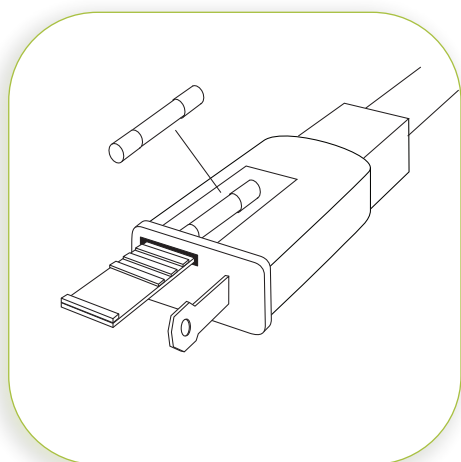


# 2

### HOW TO EXTEND THE STRING LIGHTS

Should you purchase additional strands of the Lantern String Lights, you may wish to connect them together. To connect light strands: Attach the male plug of the additional strand(s) to the female connector at the end of the original strand.

Note: The string lights can be connected to a MAXIMUM of 22 sets (216W).

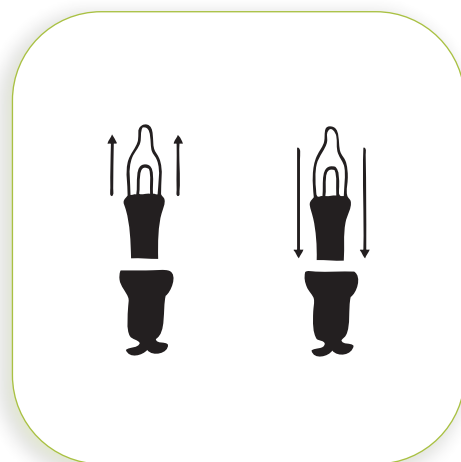


# 3

### REPLACING THE FUSE

In the event that your lights short circuit and the fuse is blown, there are 6 additional fuses included. To replace the fuse: Grasp the plug and remove from the outlet where it is plugged in. DO NOT unplug by pulling the cord. Open the fuse cover on the plug by sliding the access panel towards the blades of the plug.

Remove old fuse carefully and replace with new fuse (only use fuse provided with your purchase). Close the fuse cover by sliding the access panel on the plug away from the plug blades. Your string lights are now ready for use again.



# 4

### REPLACING BULBS

In the event that a bulb goes out on your light strand, there are 6 additional bulbs included. To replace a bulb: Grasp the plug and remove from the outlet where it is plugged in. DO NOT unplug by pulling the cord. Remove the nylon lantern/bulb cover by lifting the plastic loops at the top of the lantern off of the plastic brace attached to the string light. Remove the burned out bulb by gripping its plastic base and gently pulling away from the string light. Line up the wires on the outside of the new bulb with the metal tabs in the base on the string light. Insert the new bulb (only use the additional bulbs included with your purchase) into the string light base by pushing in gently so that the plastic base of the bulb and string light base are flush. Your string lights are now ready for use again.