

## INSTALLATION INSTRUCTIONS



### IMPORTANT

Before using your Telluride Faux Pine Tree, make sure that you carefully read through these instruction sheets.

**NOTE:** The important safeguards and instructions that appear in this manual are not meant to cover all possible conditions and situations that may occur. It must be understood that common sense, caution, and care are factors that cannot be built into any product. This approach must be used by the person(s) caring for and operating the tree.

### GENERAL INFORMATION

The tree is suited for indoor use only. DO NOT attempt to replace or repair any damaged cable parts. After use, ensure the tree is clean and dry before storage.

Battery installation should only be performed by an adult. Only batteries of the same or equivalent type as recommended should be used. Battery leakage can cause corrosion and damage to this product so please remove non-functioning batteries immediately. Remove the batteries from product during long periods of non-use.

DO NOT DISPOSE IN FIRE. Please dispose at your local recycling facility.

### STEP BY STEP INSTRUCTIONS

Before using your tree, remove packaging. When setting up your tree, carefully position cables to avoid a tripping hazard.



#### MODEL NO.

LC004150

LC004151

#### WHAT WE PROVIDE

- Faux Pine Tree with Dual Power Connector
- 4 x AA battery box
- Plug-in Power Supply



# 1

#### STYLE YOUR TREE

The branches on the tree come tightly packed for shipping. Separate and style the branches for your desired look.

## INSTALLATION INSTRUCTIONS

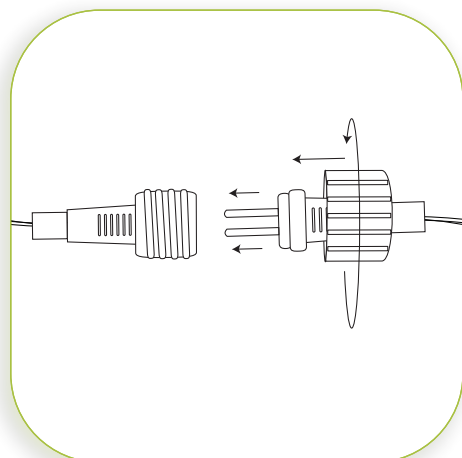
---



# 2

### CHOOSE YOUR POWER SOURCE

For your convenience, the lights on this tree are convertible between battery or plug-in. Select the power source you would like to use.



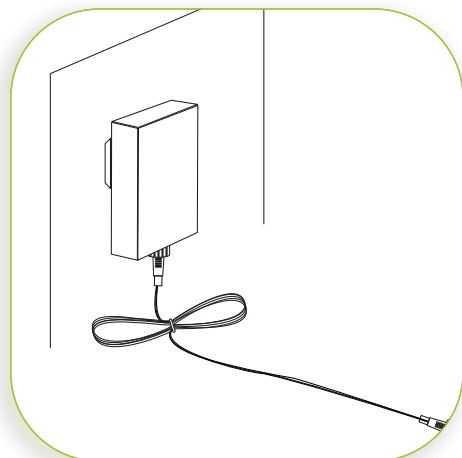
# 3

### CONNECT POWER SOURCE TO TREE

Connect the wire coming from the tree to your desired power source. Ensure the gasket is secured tightly in place.

## PLUG-IN POWER SUPPLY

Please follow the below steps to operate your tree with the plug.



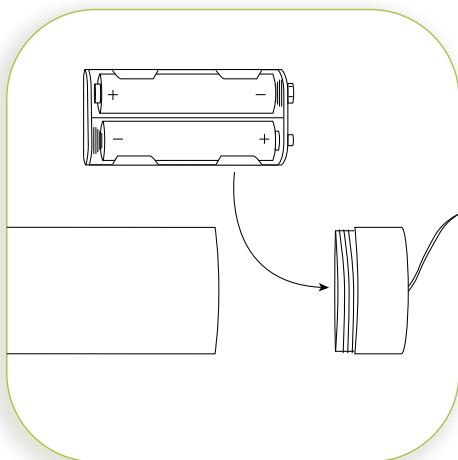
# 4

### PLUG IN THE TREE

Insert the plug into your wall outlet to illuminate the tree.

### BATTERY POWER SUPPLY

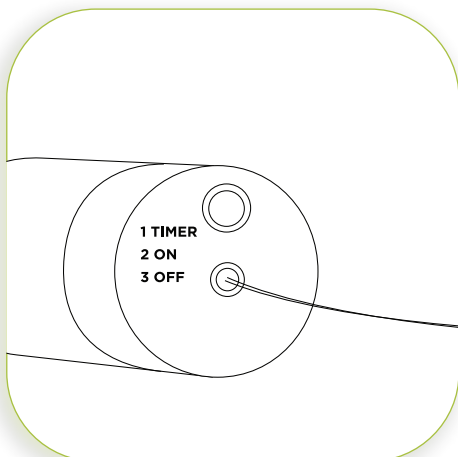
Please follow the below steps to operate your tree with the battery box.



# 4

#### BATTERY INSTALLATION

The tree works with 4 x AA batteries. Batteries should be inserted with the correct polarity as indicated (+/-) and battery compartment secured before use.



# 5

#### BUTTON OPTIONS

Press the button once to activate the 6-hour timer.

Once set, the tree will turn on and off at the same time each day.

Press the button again to turn on the tree with no timer.

Press the button a third time to turn off the tree.