

## INSTALLATION INSTRUCTIONS



### IMPORTANT

Before assembling your Lamplust Starry Cluster Fairy String Lights, please make sure that you carefully read through these instruction sheets.

**NOTE:** The important safeguards and instructions that appear in this manual are not meant to cover all possible conditions and situations that may occur. It must be understood that common sense, caution and care are factors that can't be built into any product. This approach must be used by the person(s) caring for and operating the string lights.

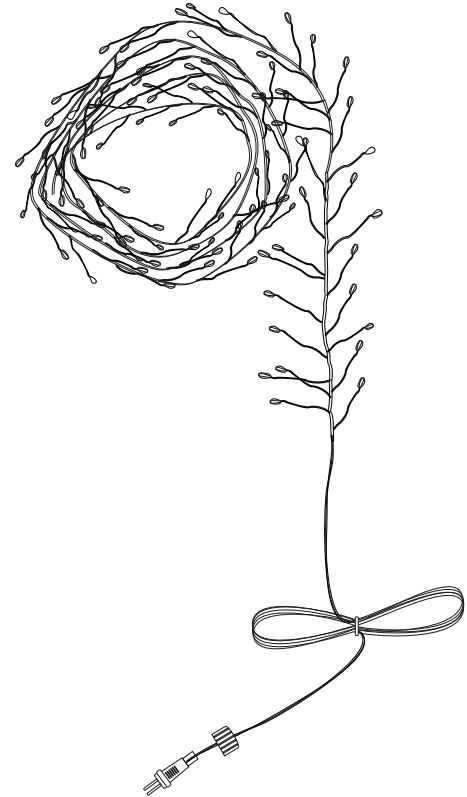
### GENERAL INFORMATION

The string lights are suitable for indoor and outdoor use. DO NOT attempt to replace or repair any damaged cable parts. After use, ensure the string light set is clean and dry before storage.

Battery installation should only be performed by an adult. Only batteries of the same or equivalent type as recommended should be used. Battery leakage can cause corrosion and damage to this product so please remove non-functioning batteries immediately. Remove the batteries from product during long periods of non-use. DO NOT DISPOSE OF IN FIRE. Please dispose at your local recycling facility. DO NOT submerge any part of the string lights in water. The string lights are water RESISTANT only.

### STEP BY STEP INSTRUCTIONS

Before installing your string lights, remove the packaging. When setting up the string lights, carefully position cables to avoid a tripping hazard, and when hanging lights use a stable method of support.



### MODEL NO.

LC0041 36  
LC0041 37  
LC0041 38

### WHAT WE PROVIDE

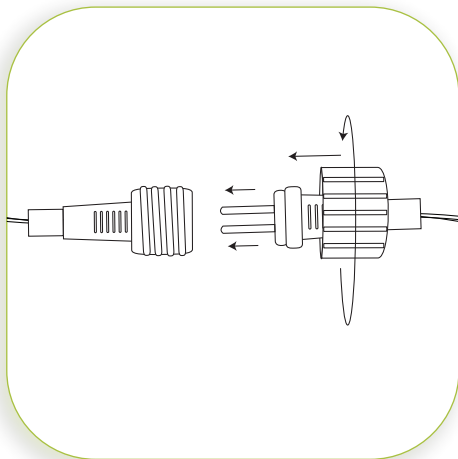
- 120 LEDs on Wire with Dual Power Connector
- 4 x AA Battery Box
- Plug-in Power Supply
- 1 White Fabric Bag to Conceal Battery Box

# 1

### CHOOSE YOUR POWER SOURCE

For your convenience, these lights are convertible between battery or plug-in. Choose the power source you would like to use.

## INSTALLATION INSTRUCTIONS



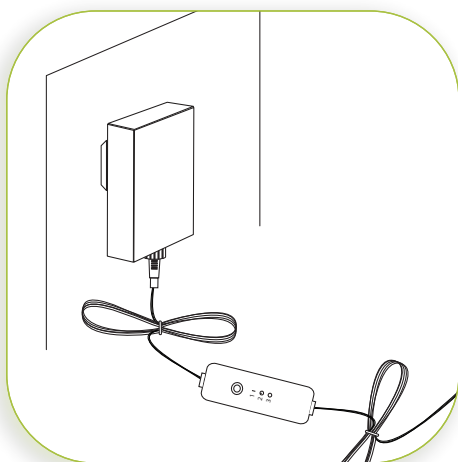
# 2

### CONNECT THE STRING LIGHTS

Connect the string lights to your desired power source. Ensure the gasket of the power source is secured tightly in place.

## PLUG-IN POWER SUPPLY

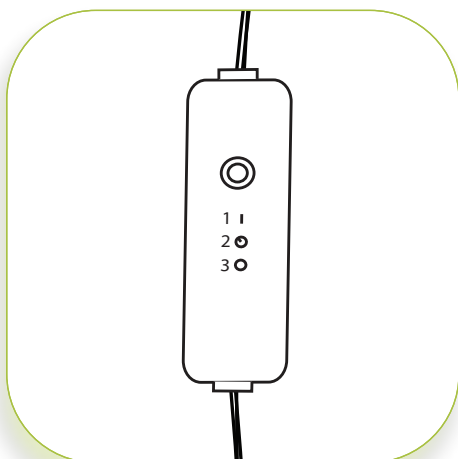
Please follow these steps to operate your string lights using the plug.



# 3

### PLUG IN THE STRING LIGHTS

Insert the plug into your wall outlet.



# 4

### PLUG SWITCH OPTIONS

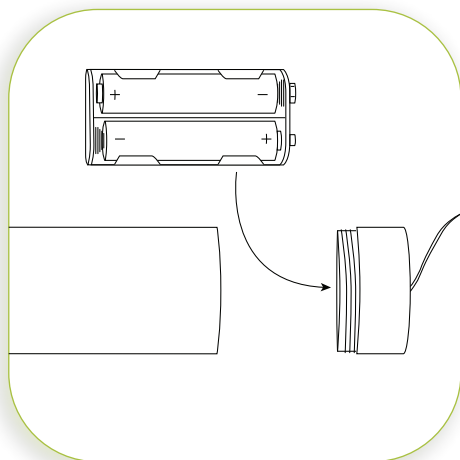
Press the button once to turn the lights on.

Press the button again to activate the 6-hour timer. Once the timer is set, the lights will turn on and off at the same time each day.

Press the button a third time to turn off the lights.

### BATTERY POWER SUPPLY

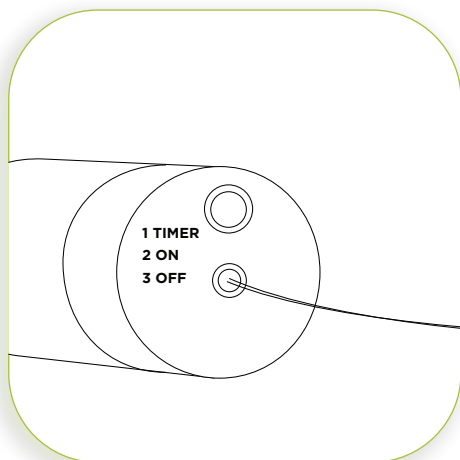
Please follow these steps to operate your string lights with the battery box.



# 3

#### BATTERY INSTALLATION

The string lights work with 4 x AA batteries. Batteries should be inserted with the correct polarity as indicated (+/-) and battery compartment secured before use.



# 4

#### BUTTON OPTIONS

Press the button once and the lights will turn on with 6-hour timer. Once set, the lights will turn on and off at the same time each day.

Press the button again to turn on the light without the timer.

Press the button a third time to turn off the lights.



# 5

#### DECORATIVE BAG

A decorative white fabric bag is included to disguise the battery box in plain sight.