

INSTALLATION INSTRUCTIONS



IMPORTANT

Before opening your Lights.com fixture, please make sure that you carefully read through these instruction sheets. Consider having your fixture installed by a qualified licensed electrician.

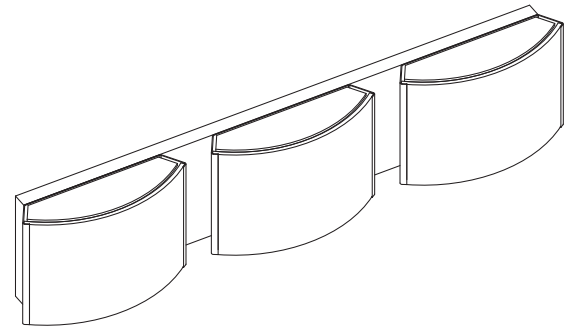
NOTE: The important safeguards and instructions that appear in this manual are not meant to cover all possible conditions and situations that may occur. It must be understood that common sense, caution and care, are factors that can't be built into any product. This approach must be used by the person(s) caring for and operating the fixture.

GENERAL INFORMATION

All electrical connections must be in accordance with all ordinances, Local and National Electrical Codes. These fixtures are intended for mounting to a standard 4" x 2-1/2" metal octagon box. The box must be directly supported by the building structure and U.L. Recognized.

STEP BY STEP INSTRUCTIONS

Before starting your installation, disconnect the power by turning off the circuit breaker or by removing the fuse at the fuse box. Just turning the light off at the light switch is not sufficient to prevent electrical shock.



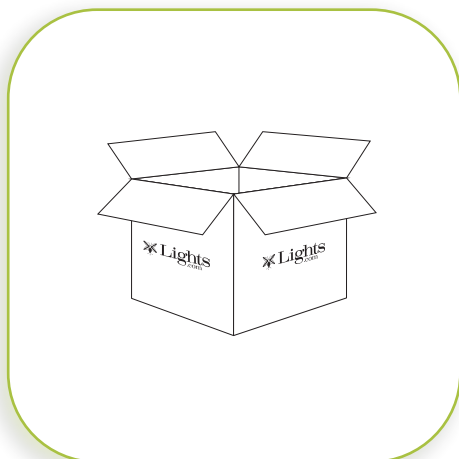
COLLECTION	APPLICATION	MODEL NO.
Sloane	Vanity Light	LC004111
		LC004112
		LC004114
		LC004127
		LC004128
		LC004130

WHAT WE PROVIDE

- Mounting & Wiring Hardware
- 3 Sets of Top & Bottom Diffusers
- 3 Glass Shades

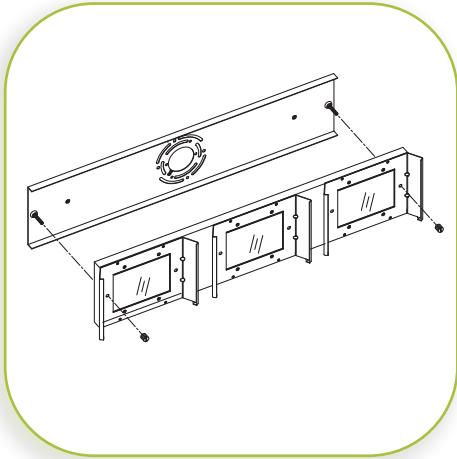
WHAT YOU NEED

- Phillips head Screwdriver
- Wire Cutters
- Wiring Supplies as Specified by Electrical Code
- Electrical Tape



1

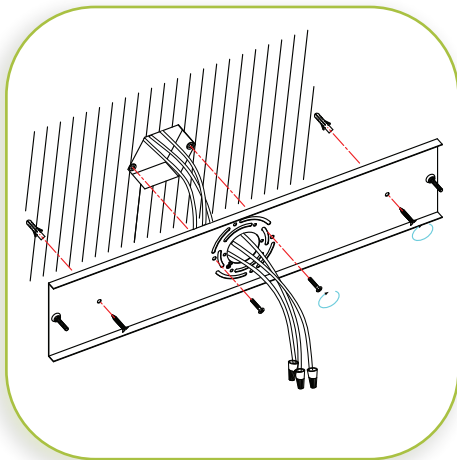
UNPACK FIXTURE



2

PREPARE FIXTURE AND MOUNTING PLATE

Remove the mounting plate from the backplate by unscrewing the screw nuts from the fixture.

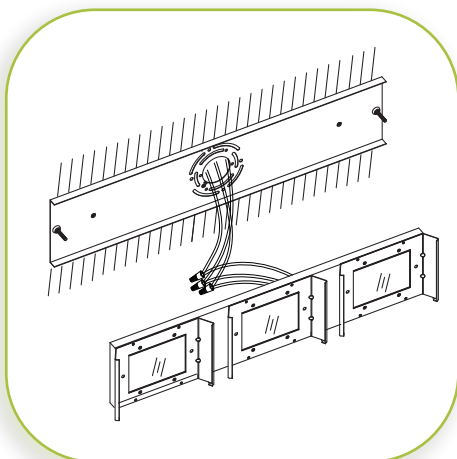


3

INSTALL THE MOUNTING PLATE

If there is an existing fixture, remove it. Mark two points in the wall, on both sides of the J-box, where the mounting plate is to be mounted. Take a nail and, with a hammer, tap a "pilot hole" into the wall at the marked point. DO NOT make the holes wider than the anchor. You may also use a drill with a drill bit smaller than the anchor. Place the anchors over the holes and firmly tap them in until the anchors are flush with the wall. Expose the supply wires from the J-Box. Insert supply wires through the mounting plate. Secure the mounting plate to the J-Box and anchors using the Phillips head screws provided. Tighten to secure.

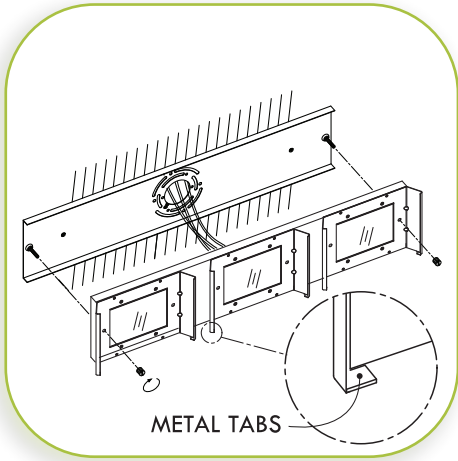
NOTE: Use a level to make sure your vanity is level before making anchor holes.



4

MAKE WIRE CONNECTIONS

Connect the BLACK fixture wire to the BLACK supply wire and the WHITE fixture wire to the WHITE supply wire. Connect the fixture ground wire to the J-BOX ground wire or wrap around one of the protruding screws on the mounting plate. Secure all connections with the supplied wire nuts and electrical tape (not supplied).

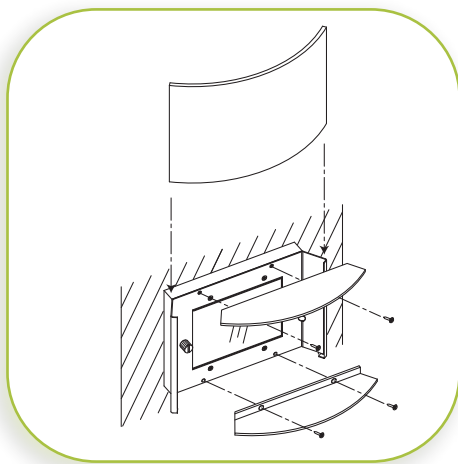


5

CONNECT FIXTURE TO THE MOUNTING PLATE

Position the fixture over the mounting plate. Align the holes on the fixture with the two screws protruding from the backplate and secure with the supplied screw nuts.

NOTE: Make sure the glass metal frame tabs are positioned on the bottom of the fixture.



6

INSTALL THE DIFFUSERS

Install the top and bottom diffusers onto the fixture using the screws provided. Then, slide the glass diffuser into the open slots of the fixture.



7

RESTORE THE ELECTRICITY AND CHECK THE OPERATION OF YOUR NEW FIXTURE

NOTE: This is a light emitting diode (LED) fixture. The LED board is fixed to the inside of the vanity light. This is your light source. The fixture is rated to last upwards of 50,000 hours.

DIMMER NOTE

For the best lighting experience, we recommend using a dimmer. Not only does this allow you to create a great ambiance, it allows for energy savings and extends the life of the LEDs.