

INSTALLATION INSTRUCTIONS



IMPORTANT

Before assembling your Lamplust Ara Lanterns, please make sure that you carefully read through these instruction sheets.

NOTE: The important safeguards and instructions that appear in this manual are not meant to cover all possible conditions and situations that may occur. It must be understood that common sense, caution, and care are factors that cannot be built into any product. This approach must be used by the person(s) caring for and operating the string lights.

GENERAL INFORMATION

These string lights are suitable for indoor and outdoor use. DO NOT attempt to replace or repair any damaged cable parts. After use, ensure the string light set is clean and dry before storage. DO NOT DISPOSE OF IN FIRE. Please dispose at your local recycling facility.

STEP BY STEP INSTRUCTIONS

Before installing your string lights, remove packaging. When setting up the string light set, carefully position cables to avoid a tripping hazard and be sure to use a stable method of support when hanging the string lights.



MODEL NO.

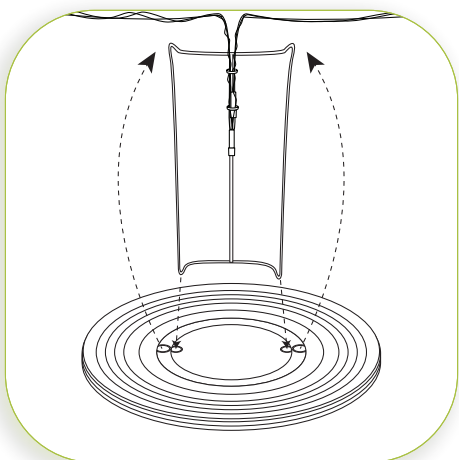
LC004092

LC004093

LC004094

WHAT WE PROVIDE

- Ara 3" Lanterns, Set of 10
- Ara String Light Strand for 3" Lanterns
- Ara Plug with Clear Lead Wire and Switch

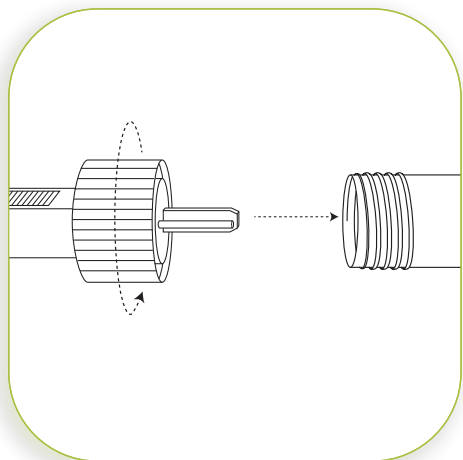


1

INSTALL LANTERNS

Insert the brace attached to the Ara String lights through the wider opening in the lantern. Pull up the sides of the lantern to insert the pointed ends of the brace into the round loops at the sides of the lantern opening to complete assembly.

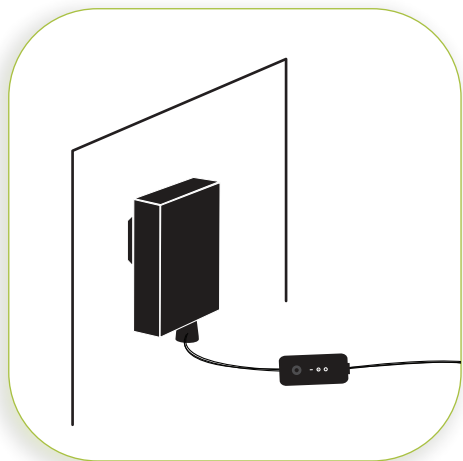
INSTALLATION INSTRUCTIONS



2

CONNECT POWER SUPPLY

Connect the male end of your string lights to the female connector on the Ara UL Plug with Clear Lead Wire and Switch. Turn the plastic cap on Ara Light Strand clockwise to make a secure connection.



3

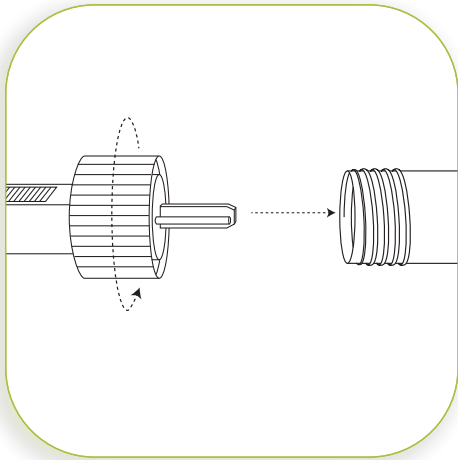
PLUG-IN THE STRING LIGHTS



4

SWITCH OPTIONS

Press the button on the switch once and the lights will turn on.
Press the button again to activate the 6-hour timer.
Press the button a third time to manually turn the lights off.



5

HOW TO EXTEND THE STRING LIGHTS

Should you purchase additional strands of the Ara String Lights, you may wish to connect your sets together.

NOTE: The string lights can be connected up to a **MAXIMUM** of 10 strands or 100 lights (3.6W MAX)

ALWAYS UNPLUG YOUR STRING LIGHTS BEFORE CONNECTING ADDITIONAL STRANDS.

To connect light strands:

Attach the male end of the additional light strand to the female connector of the original light strand. Turn the plastic cap on the original light strand clockwise to make a secure connection.