

INSTALLATION INSTRUCTIONS



IMPORTANT

Before opening your Lights.com fixture, please make sure that you carefully read through these instruction sheets. Consider having your fixture installed by a qualified licensed electrician.

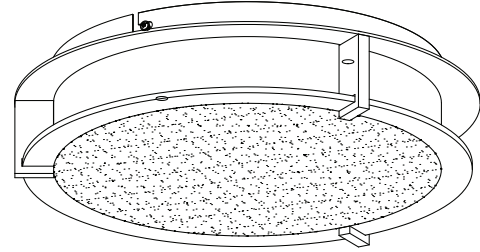
NOTE: The important safeguards and instructions that appear in this manual are not meant to cover all possible conditions and situations that may occur. It must be understood that common sense, caution and care, are factors that can't be built into any product. This approach must be used by the person(s) caring for and operating the fixture.

GENERAL INFORMATION

All electrical connections must be in accordance with all ordinances, local and national electrical codes. These fixtures are intended for mounting to a standard 4" x 2-1/2" metal octagon outlet box. The box must be directly supported by the building structure and U.L. Recognized.

STEP BY STEP INSTRUCTIONS

Before starting your installation, disconnect the power by turning off the circuit breaker or by removing the fuse at the fuse box. Just turning the light off at the light switch is not sufficient to prevent electrical shock.



COLLECTION	APPLICATION	MODEL NO.
Atlas	Flush Mount	LC004071
		LC004072
		LC004074
		LC004075
		LC004076
		LC004078

WHAT WE PROVIDE

- Mounting & Wiring Hardware
- Round Flush Mount with Intergrated LED Module
- Diffuser and Glass Panel

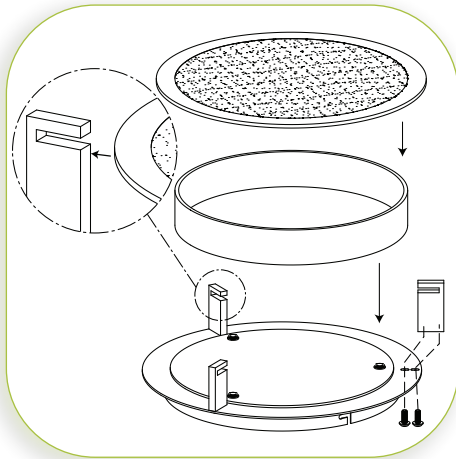
WHAT YOU NEED

- Phillips Screwdriver
- Wire Cutters
- Wiring Supplies as Specified by Electrical Code
- Electrical Tape



1

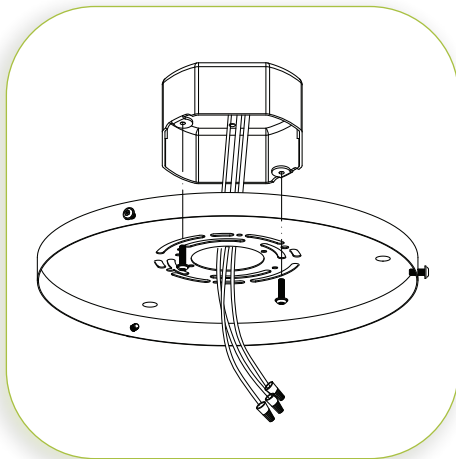
UNPACK YOUR FIXTURE



2

INSTALL DIFFUSER AND GLASS PANEL

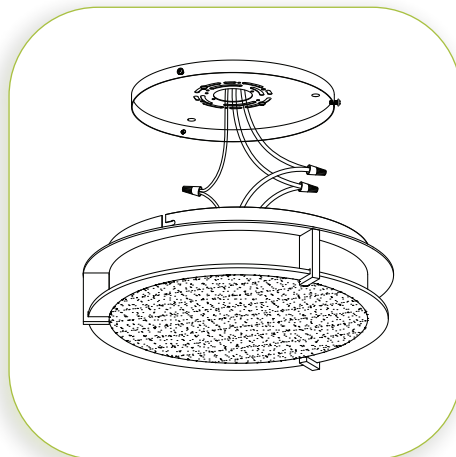
Uninstall one fixture hook from the flush mount by unscrewing the screws from the back of the fixture hook. Place the flush mount upside down on a clean (clear) surface. Place the acrylic diffuser onto the flush mount in between the two fixture hooks. Then, slide the glass panel between the slots of the fixture hooks and on top of the acrylic diffuser. Re-install the third fixture hook onto the flush mount and secure using the two screws provided. **NOTE: Please make sure the acrylic diffuser sits exactly in line with the white part of the glass panel. Minor adjustments may be needed.**



3

INSTALL MOUNTING PLATE

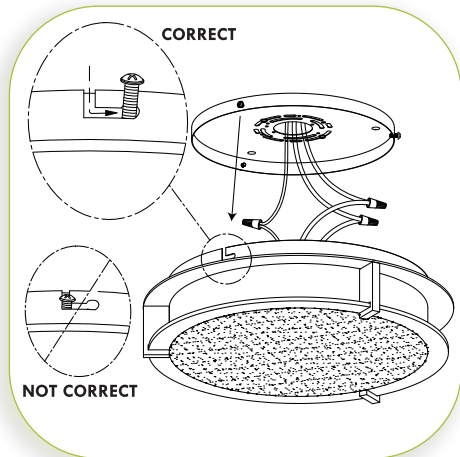
If there is an existing fixture, remove it. Expose the supply wires from the J-box. Insert supply wires through the mounting plate. Secure mounting plate using two Phillips head screws provided. Hand tighten to secure.



4

MAKE WIRE CONNECTIONS

Connect BLACK fixture wire to the BLACK supply wire and the WHITE fixture wire to the WHITE supply wire. Connect the fixture ground wire to the J-Box ground wire or wrap around one of the protruding screws on the mounting plate. Secure all connections with the supplied wire nuts. Secure all wire connections with electrical tape (not supplied). Tuck all wires carefully into the J-Box.



5

MOUNT THE FIXTURE

Align the flush mount to the screws protruding from the side of the mounting plate. Next, make sure the screws are hooked into the grooves of the flush mount as shown in the diagram and tighten the screws to secure.

NOTE: Push flush mount through slot and slide over to make sure the screw is secure.



6

RESTORE THE ELECTRICITY AND CHECK THE OPERATION OF YOUR NEW FIXTURE

NOTE: This is a light emitting diode (LED) fixture. The LED board is fixed to the inside of the flush mount. This is your light source. The fixture is rated to last upwards of 50,000 hours.

DIMMER NOTE

For the best lighting experience, we recommend using a dimmer. Not only does this allow you to create a great ambiance, it allows for energy savings and extends the life of the LEDs.