

# INSTALLATION INSTRUCTIONS



## IMPORTANT

Before opening your Lights.com fixture, please make sure that you carefully read through these instruction sheets. Consider having your fixture installed by a qualified licensed electrician.

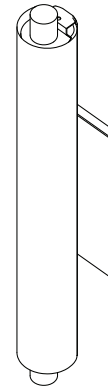
**NOTE:** The important safeguards and instructions that appear in this manual are not meant to cover all possible conditions and situations that may occur. It must be understood that common sense, caution and care, are factors that can't be built into any product. This approach must be used by the person(s) caring for and operating the fixture.

## GENERAL INFORMATION

All electrical connections must be in accordance with all ordinances, Local and National Electrical Codes. These fixtures are intended for mounting to a standard 4" x 2-1/2" metal octagon box. The box must be directly supported by the building structure and U.L. Recognized.

## STEP BY STEP INSTRUCTIONS

Before starting your installation, disconnect the power by turning off the circuit breaker or by removing the fuse at the fuse box. Just turning the light off at the light switch is not sufficient to prevent electrical shock.



## COLLECTION

Ronan

## MODEL NO.

LC004047

LC004048

LC004050

## APPLICATION

Wall Sconce

Vanity Light

LC004051

LC004052

LC004054

## MODEL NO.

LC004059

LC004060

LC004062

LC004063

LC004064

LC004066

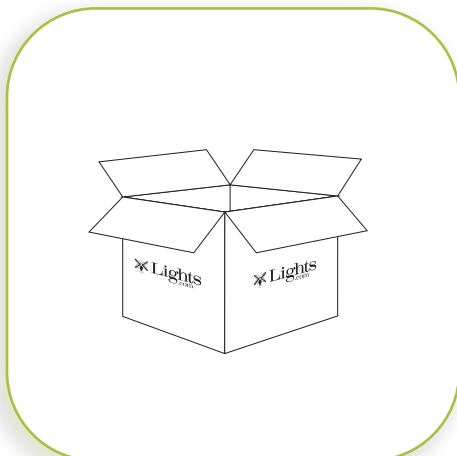
\* **Note:** Fixture can be mounted horizontal or vertical.

## WHAT WE PROVIDE

- Ronan Vanity Light with Intergrated LED Module
- Mounting & Wiring Hardware
- Glass Shade
- Allen Key

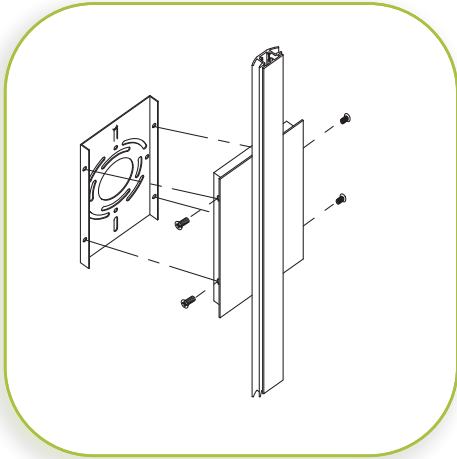
## WHAT YOU NEED

- Phillips head Screwdriver
- Wire Cutters
- Wiring Supplies as Specified by Electrical Code
- Electrical Tape



# 1

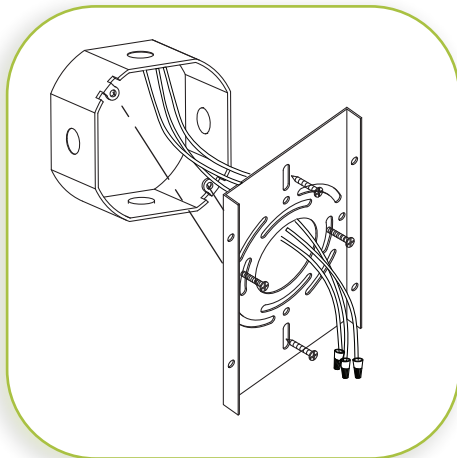
## UNPACK FIXTURE



# 2

## PREPARE FIXTURE AND MOUNTING PLATE

Remove the mounting plate from the backplate by unscrewing the side screws from the backplate.

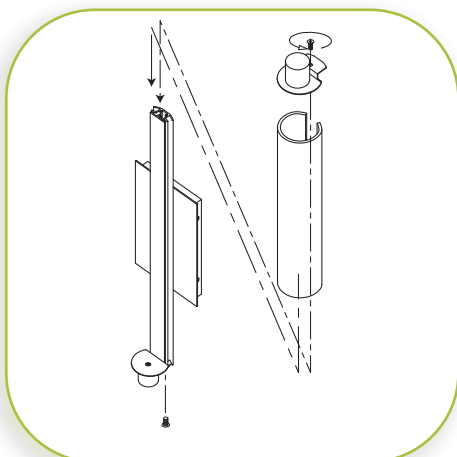


# 3

## INSTALL THE MOUNTING PLATE

**Note:** This fixture can be mounted horizontal or vertical.

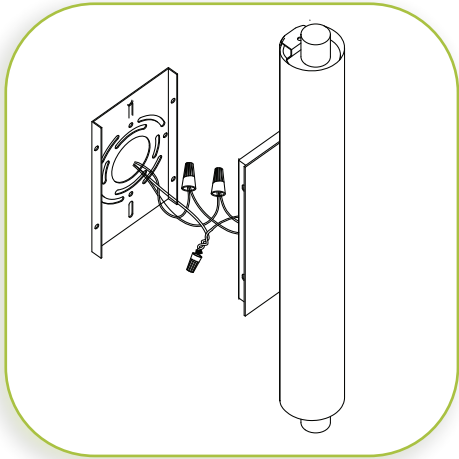
If there is an existing fixture, remove it. Expose the supply wires from the J-Box. Insert supply wires through the mounting plate. Secure the mounting plate using the Phillips head screws provided. Tighten to secure.



# 4

## INSTALL THE GLASS SHADE

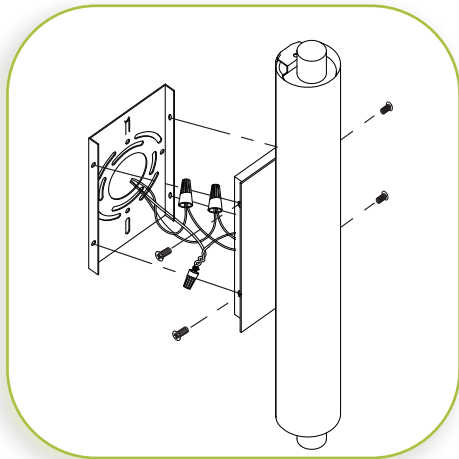
**Note:** Make sure the LED diffuser is installed correctly onto the track of the vanity light. Install an end cap onto one end of the vanity light and secure using the Allen key and the supplied screw. Slide the glass shade onto the vanity light. Then, place the other end cap onto the open end of the glass shade and secure using the Allen key and the supplied screw.



# 5

### MAKE WIRE CONNECTIONS

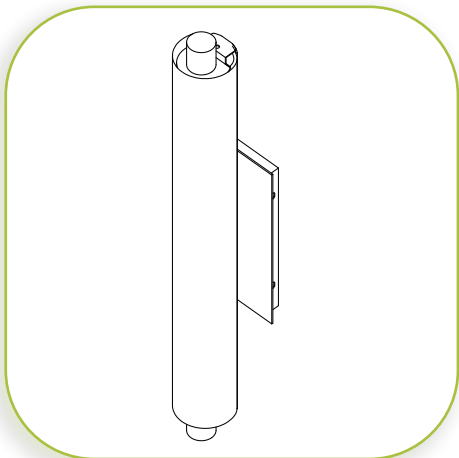
Connect the BLACK fixture wire to the BLACK supply wire and the WHITE fixture wire to the WHITE supply wire. Connect the fixture ground wire to the J-BOX ground wire or wrap around one of the protruding screws on the mounting plate. Secure all connections with the supplied wire nuts and electrical tape (not supplied).



# 6

### CONNECT FIXTURE TO THE MOUNTING PLATE

Position backplate over the mounting plate. Align the holes on the sides of the mounting plate with the holes on the sides of the backplate and secure with the supplied screws.



# 7

### RESTORE THE ELECTRICITY AND CHECK THE OPERATION OF YOUR NEW FIXTURE

NOTE: This is a light emitting diode (LED) fixture. The LED board is fixed to the inside of the vanity/wall sconce. This is your light source. The fixture is rated to last upwards of 50,000 hours.

For the best lighting experience, we recommend using a dimmer. Not only does this allow you to create a great ambiance, it allows for energy savings and extends the life of the LEDs.

### DIMMER NOTE