

# INSTALLATION INSTRUCTIONS



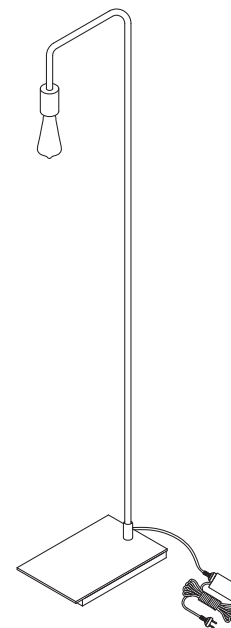
## IMPORTANT

Before operating your Lights.com floor lamp, please make sure that you carefully read through these instruction sheets. Consider having your fixture installed by a qualified licensed electrician.

**NOTE:** The important safeguards and instructions that appear in this manual are not meant to cover all possible conditions and situations that may occur. It must be understood that common sense, caution and care, are factors that can't be built into any product. This approach must be used by the person(s) caring for and operating the fixture.

## GENERAL INFORMATION

All electrical connections must be in accordance with all ordinances, local and national electrical codes.



## COLLECTION

Prospect

## APPLICATION

Floor Lamp

## MODEL NO.

LC004040

LC004043

LC004045

LC004046

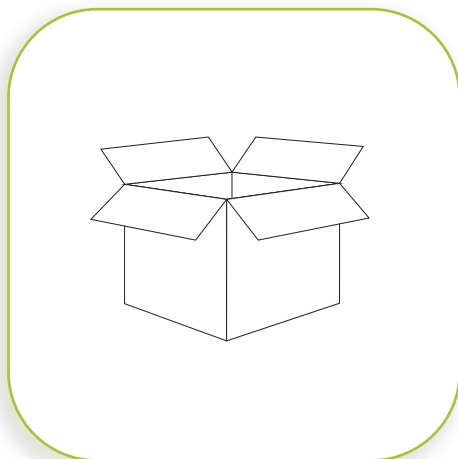
## WHAT WE PROVIDE

- Lamp
- Dimmer Switch
- Bent Wrench

## WHAT YOU NEED

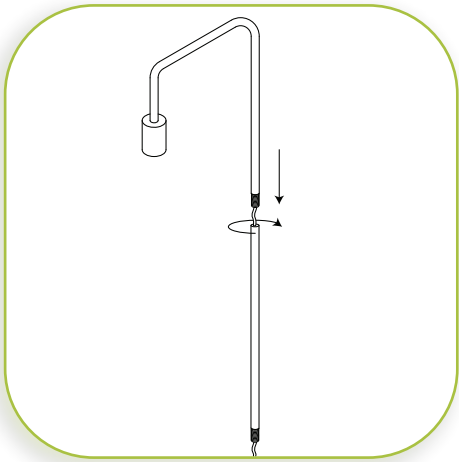
- 1 x 60W E26 Bulb

## STEP BY STEP INSTRUCTIONS



# 1

## UNPACK YOUR FIXTURE

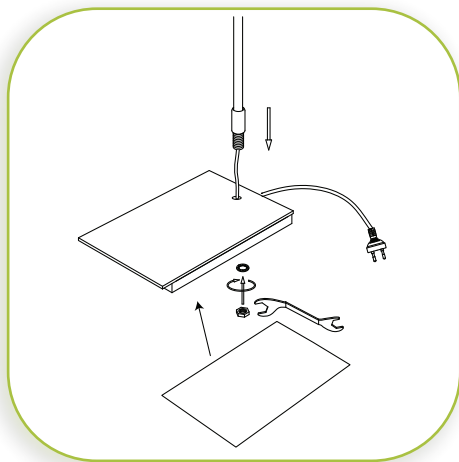


# 2

### INSTALL LAMP RODS

**Warning: Do not cross thread the rods or force them together. This will cause damage to the threading.**

Connect the rods one by one starting from the top of the lamp.

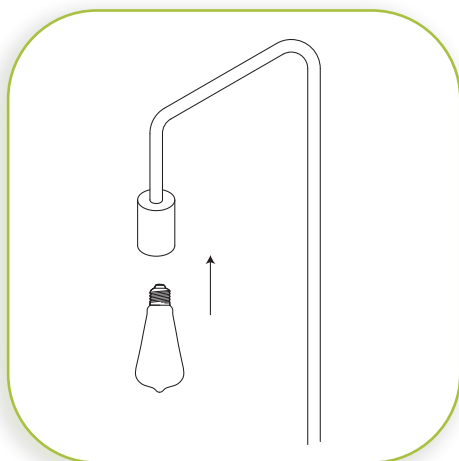


# 3

### INSTALL LAMP BASE

Connect the bottom rod onto the base while removing slack from the lamp cord by pulling the cord down.

Secure the lamp body onto the base by using the washer and hex nut. Tighten securely using the supplied bent wrench. Do not over tighten. Then place the bottom cover onto the bottom of the base. **NOTE:** Before securing the base to the lamp body, make sure all rods are connected tightly. Then make sure the socket is pointing directly in front of the base. After tightening, you will not be able to make any adjustments without loosening the base.



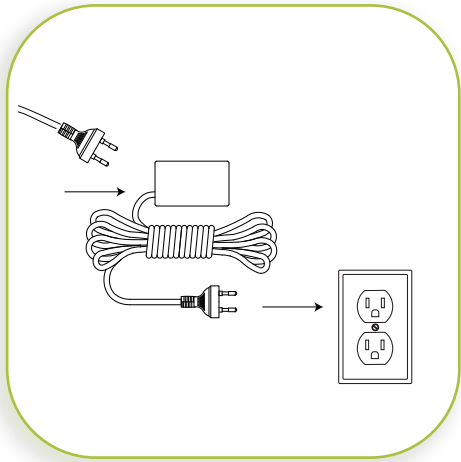
# 4

### INSTALL THE BULB

Install the bulb.

MAXIMUM WATTAGE 60W.

DO NOT EXCEED THE WATTAGE AS STATED ON THE WARNING LABEL.



# 5

## PLUG IN LAMP

Plug in the lamp plug into the dimmer box. Then, plug in the dimmer switch into an outlet.

## DIMMER NOTE

Lamp is equipped with an in-line dimmer switch. Not only does this allow you to create a great ambiance, it allows for energy savings and extends the life of the bulb.