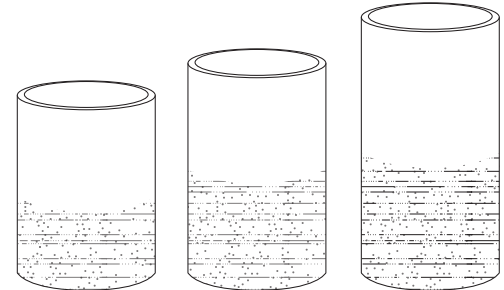




IMPORTANT

Before operating your LampLust Milos White-Washed Ivory Pillar Candles, please make sure that you carefully read through these instruction sheets.

NOTE: The important safeguards and instructions that appear in this manual are not meant to cover all possible conditions and situations that may occur. It must be understood that common sense, caution and care are factors that can't be built into any product. This approach must be used by the person(s) caring for and operating the candles.



GENERAL INFORMATION

DO NOT attempt to replace or repair any damaged parts of the candle.

After use, ensure the candles are clean and dry before storage.

Only batteries of the same or equivalent type as recommended should be used. Battery leakage can cause corrosion and damage to this product so please remove non-functioning batteries immediately. Remove the batteries from product during long periods of non-use.

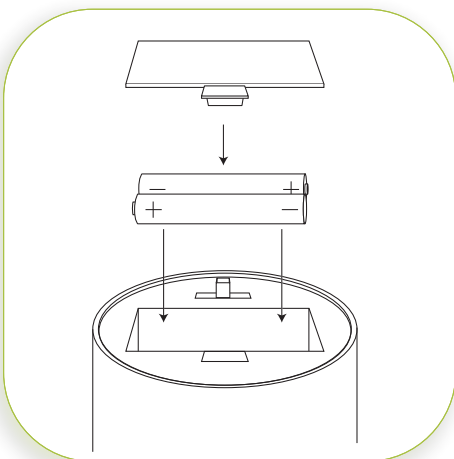
DO NOT DISPOSE OF IN FIRE. Please dispose at your local recycling facility.

WHAT WE PROVIDE

- Three White-Washed Ivory Pillar Candles
- 6 AA Batteries (2 Per Candle)
- 8 Button Remote Control

STEP BY STEP INSTRUCTIONS

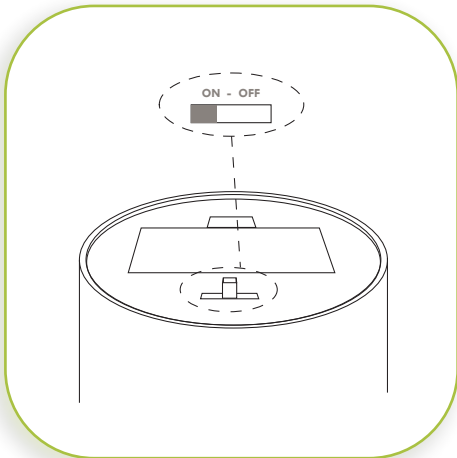
Before turning on your candles, remove the battery tab from the battery compartment (located on the bottom of the candle), thereby activating the batteries.



1

BATTERY INSTALLATION

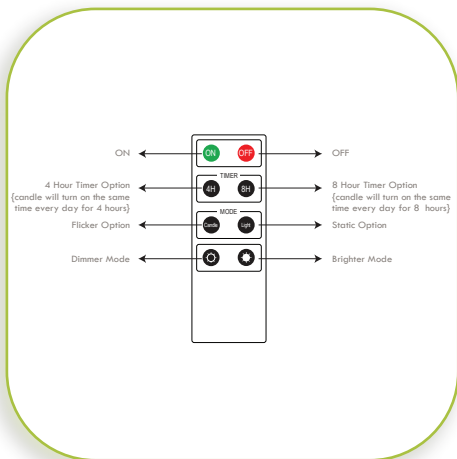
The candles works with 2 x AA batteries. Batteries should be inserted with the correct polarity as indicated (+/-) and battery compartments secured before use.



2

ON/OFF SWITCH

The ON/OFF switch is located on the bottom of the candle, next to the battery compartment. Utilize this switch to operate the candle.



3

REMOTE FUNCTIONS

The candle switch must be turned to "ON" in order for the remote control to function. In order to set the timer, turn the candle off using the remote control and then press the desired timer button to set. The candle will turn on and off at the same time each day once set. To maximize battery life, manually turn off candle during long periods of non-use.