

INSTALLATION INSTRUCTIONS



IMPORTANT

Before opening your Lights.com fixture, please make sure that you carefully read through these instruction sheets. Consider having your fixture installed by a qualified licensed electrician.

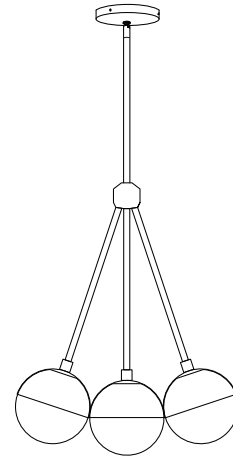
NOTE: The important safeguards and instructions that appear in this manual are not meant to cover all possible conditions and situations that may occur. It must be understood that common sense, caution and care, are factors that can't be built into any product. This approach must be used by the person(s) caring for and operating the fixture.

GENERAL INFORMATION

All electrical connections must be in accordance with all ordinances, local and national electrical codes. These fixtures are intended for mounting to a standard 4" x 2-1/2" metal octagon box. The box must be directly supported by the building structure and U.L. Recognized.

STEP BY STEP INSTRUCTIONS

Before starting your installation disconnect the power by turning off the circuit breaker or by removing the fuse at the fuse box. Just turning the light off at the light switch is not sufficient to prevent electrical shock.



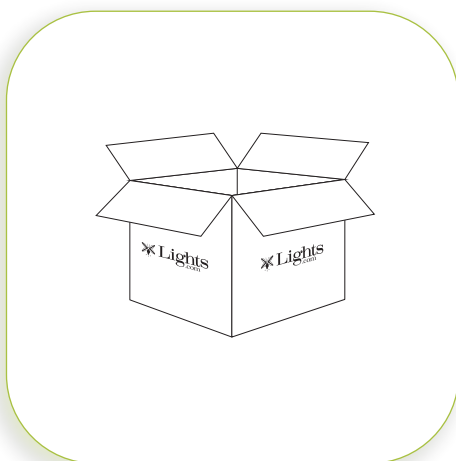
COLLECTION	APPLICATION	MODEL NO.
Powell	Semi-Flush/Chandelier	LC004004
		LC004005
		LC004123 (Semi-Flush)
		LC004124 (Semi-Flush)

WHAT WE PROVIDE

- Mounting & Wiring Hardware
- 3x Glass Shades
- Canopy Kit
- Metal Fixture Frame w/ 3 Metal Shades
- 3x G9 LED Bulbs
- One 3", One 6", Two 12", and One 18" Rods

WHAT YOU NEED

- Phillips Screwdriver
- Wire Cutters
- Wiring Supplies as Specified by Electrical Code
- Electrical Tape

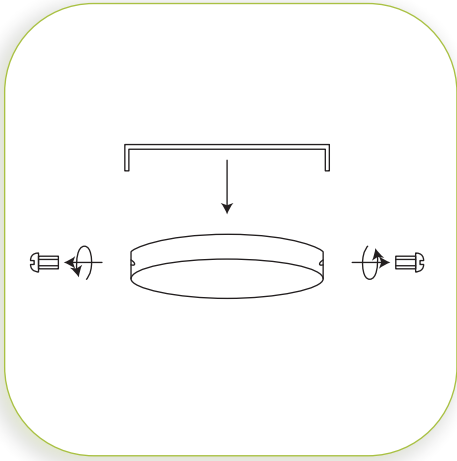


1

UNPACK YOUR FIXTURE

CHANDELIER INSTALLATION

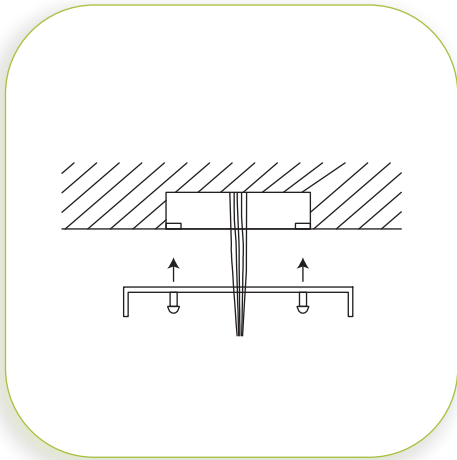
To install fixture as a semi-flush, please refer to page 5.



2

PREPARE FIXTURE AND MOUNTING PLATE

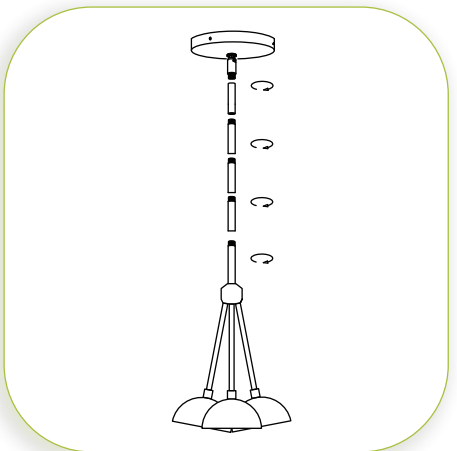
Remove the mounting plate from the canopy by unscrewing the side screws from the canopy.



3

INSTALL MOUNTING PLATE

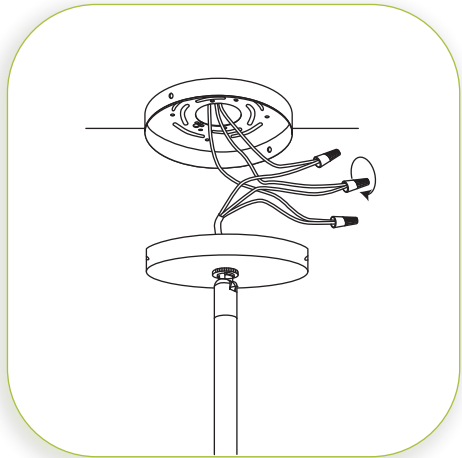
If there is an existing fixture, remove it. Expose the supply wires from the J-box. Insert supply wires through the mounting plate. Secure mounting plate using two Phillips head screws provided. Hand tighten to secure.



4

DETERMINE HEIGHT

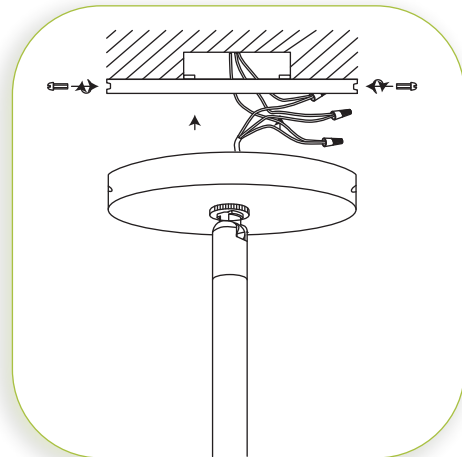
Measure fixture to desired height. Please note this must be done in 6" increments. Once determined, connect the rods one by one to the top of the fixture. Once rods are connected, thread included sloped ceiling adapter and canopy onto the top of the rods. Cut power supply leaving at least 12"-18" above, for minor adjustments.



5

MAKE WIRE CONNECTIONS

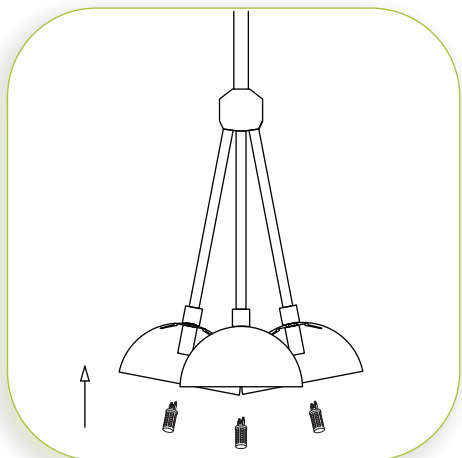
Connect BLACK fixture wire to the BLACK supply wire and WHITE fixture wire to the WHITE supply wire. Connect the fixture GROUND wire to the J-Box GROUND wire. Secure all connections with the supplied wire nuts, secure all wire connections with electrical tape (not supplied). Tuck all wires carefully into the J-Box.



6

INSTALL FIXTURE TO THE MOUNTING PLATE

Position canopy over the mounting plate. Align the holes with the side of canopy and secure with the supplied screws.



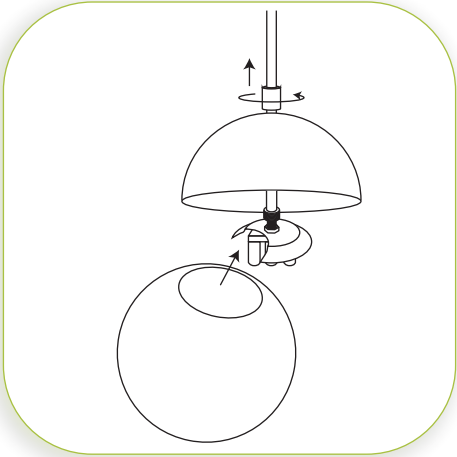
7

INSTALL THE BULBS

Install the bulbs. Use the LED bulbs included.

MAXIMUM WATTAGE 40W PER SOCKET.

DO NOT EXCEED THE WATTAGE AS STATED ON THE WARNING LABEL.

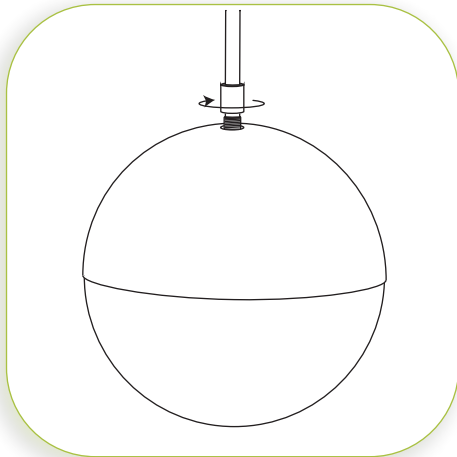


8

INSTALL GLASS

NOTE: Be careful to not scratch the rod when sliding the metal shade up and down.

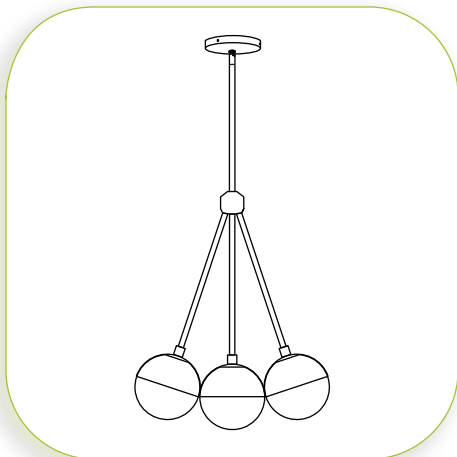
Unscrew decorative nut, above the metal shade, counter-clockwise. Slide metal shade along with the decorative nut up the rod. Insert glass onto one side of glass holder (metal bracket above socket). Next, shift angle of glass shade to insert the opposite side of glass into the holder.



9

SECURE METAL SHADE

Gently place metal shade over glass. Thread decorative nut on clockwise. Hand tighten to secure.



10

RESTORE THE ELECTRICITY AND CHECK THE OPERATION OF YOUR NEW FIXTURE

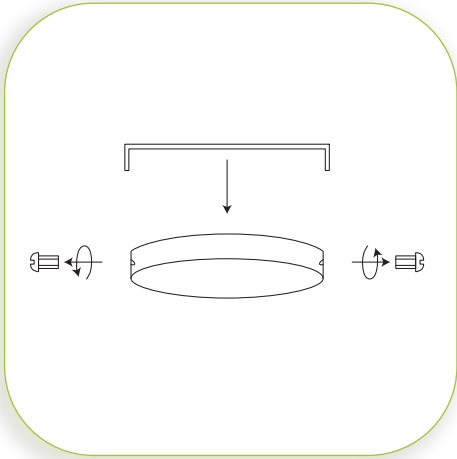


DIMMER NOTE

For the best lighting experience, we recommend using a dimmer. Not only does this allow you to create a great ambiance, it allows for energy savings and extends the life of the LEDs.

SEMI-FLUSH MOUNT INSTALLATION

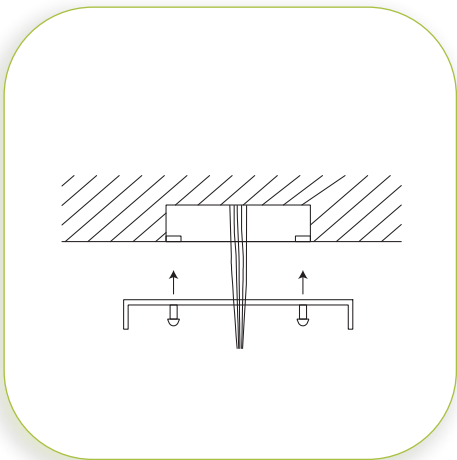
Please follow these steps for Semi-Flush Mount installation



2

PREPARE FIXTURE AND MOUNTING PLATE

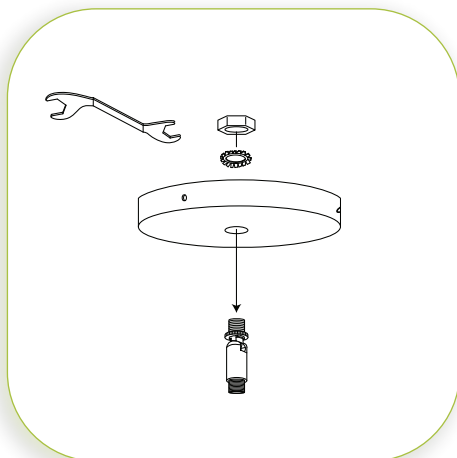
Remove the mounting plate from the canopy by unscrewing the side screws from the canopy.



3

INSTALL MOUNTING PLATE

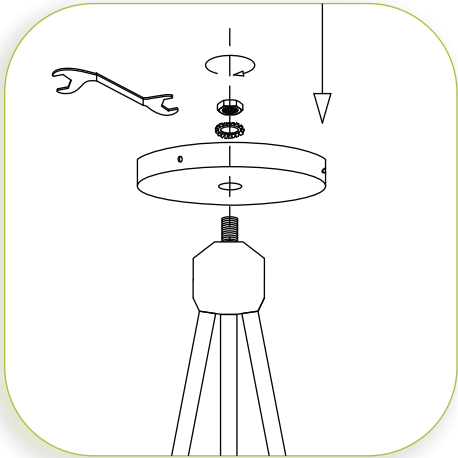
If there is an existing fixture, remove it. Expose the supply wires from the J-box. Insert supply wires through the mounting plate. Secure mounting plate using two Phillips head screws provided. Hand tighten to secure.



4

REMOVE SLOPED CEILING ADAPTER

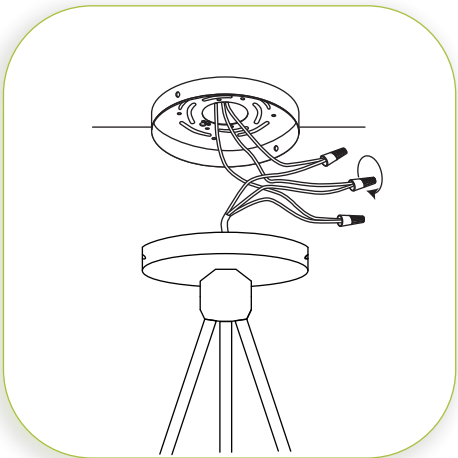
To install the fixture as a semi-flush mount, remove the sloped ceiling adapter from the canopy by unscrewing the top hex nut.



5

INSTALL FIXTURE ONTO CANOPY

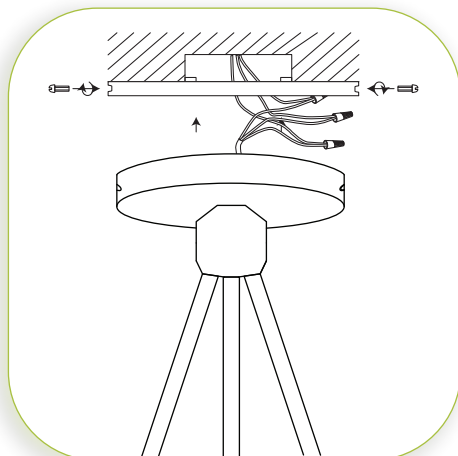
Thread fixture wires through canopy and install the fixture onto the canopy. Secure using washer and hex nut. Cut power supply leaving at least 12"-18" above, for minor adjustments.



6

MAKE WIRE CONNECTIONS

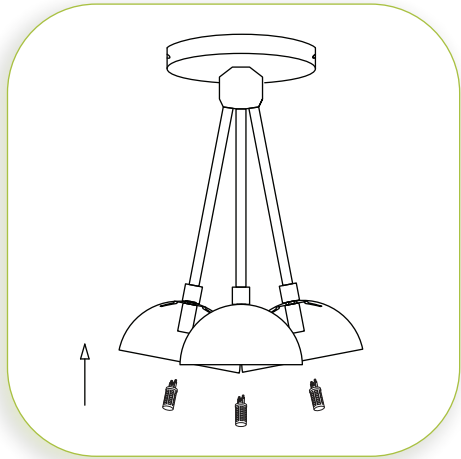
Connect BLACK fixture wire to the BLACK supply wire and WHITE fixture wire to the WHITE supply wire. Connect the fixture GROUND wire to the J-Box GROUND wire. Secure all connections with the supplied wire nuts and with electrical tape (not supplied). Tuck all wires carefully into the J-Box.



7

INSTALL FIXTURE TO THE MOUNTING PLATE

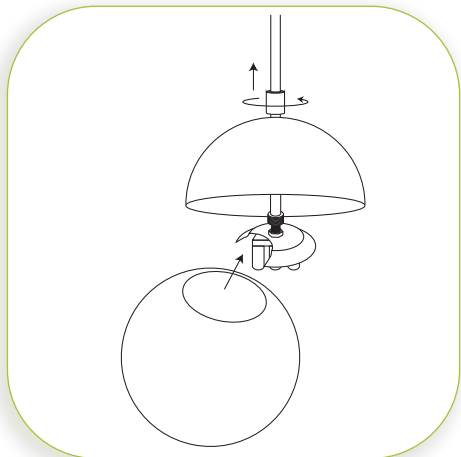
Position canopy over the mounting plate. Align the holes with the side of canopy and secure with the supplied screws.



8

INSTALL THE BULBS

Install the bulbs. Use the LED bulbs included.
MAXIMUM WATTAGE 40W MAX PER SOCKET.
DO NOT EXCEED THE WATTAGE AS STATED ON
THE WARNING LABEL.

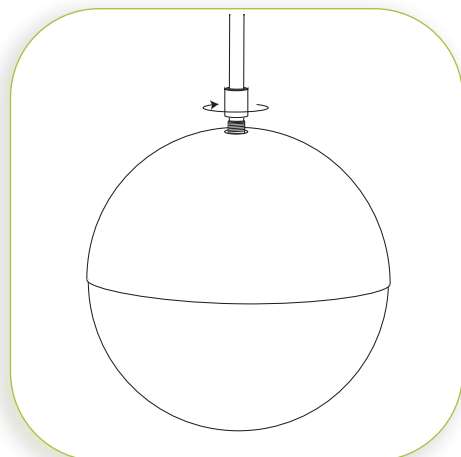


9

INSTALL GLASS

NOTE: Be careful to not scratch the rod when
sliding the metal shade up and down.

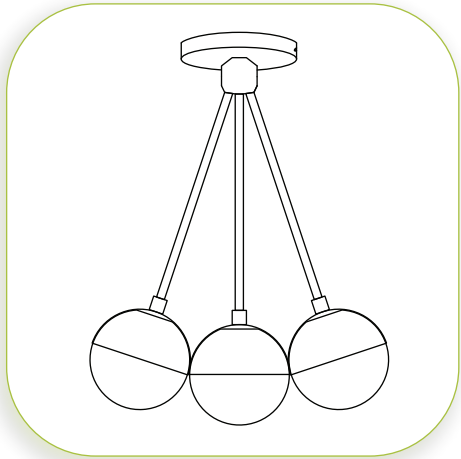
Unscrew decorative nut, above the metal shade,
counter-clockwise. Slide metal shade along with the
decorative nut up the rod. Insert glass onto one side
of glass holder (metal bracket above socket). Next,
shift angle of glass shade to insert the opposite side
of glass into the holder.



10

SECURE METAL SHADE

Gently place metal shade over glass. Thread
decorative nut on clockwise. Hand tighten to secure.



11

RESTORE THE ELECTRICITY AND CHECK THE OPERATION OF YOUR NEW FIXTURE



DIMMER NOTE

For the best lighting experience, we recommend using a dimmer. Not only does this allow you to create a great ambiance, it allows for energy savings and extends the life of the LEDs.