

INSTALLATION INSTRUCTIONS



IMPORTANT

Before opening your Lights.com fixture, please make sure that you carefully read through these instruction sheets. Consider having your fixture installed by a qualified licensed electrician.

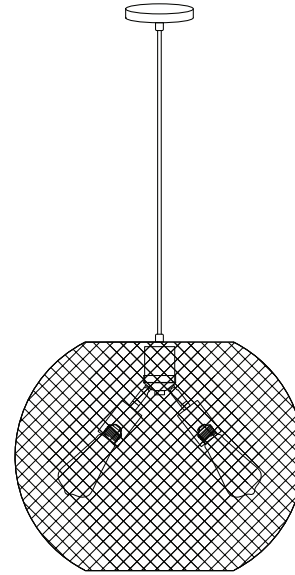
NOTE: The important safeguards and instructions that appear in this manual are not meant to cover all possible conditions and situations that may occur. It must be understood that common sense, caution and care, are factors that can't be built into any product. This approach must be used by the person(s) caring for and operating the fixture.

GENERAL INFORMATION

All electrical connections must be in accordance with all ordinances, Local and National Electrical Codes. These fixtures are intended for mounting to a standard 4" x 2-1/2" metal octagon box. The box must be directly supported by the building structure and U.L. Recognized.

STEP BY STEP INSTRUCTIONS

Before starting your installation, disconnect the power by turning off the circuit breaker or by removing the fuse at the fuse box. Just turning the light off at the light switch is not sufficient to prevent electrical shock.



COLLECTION

Bergen

APPLICATION

Pendant

MODEL NO.

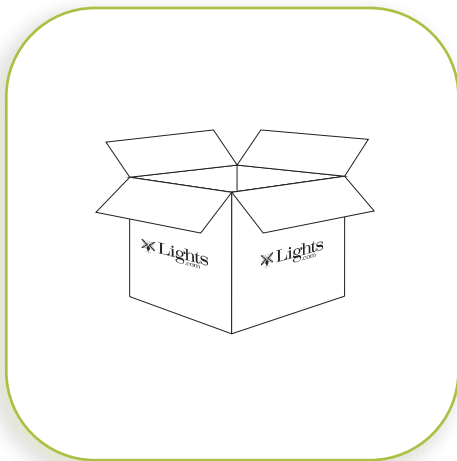
LC003988

WHAT WE PROVIDE

- Wire Mesh Globe Pendant
- 10' Fabric Black Cord and Socket
- Wire Nuts and Mounting Hardware

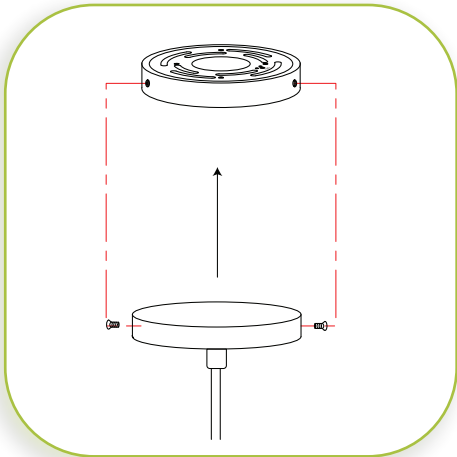
WHAT YOU NEED

- Phillips Head Screwdriver
- Wire Cutters
- Wiring Supplies as Specified by Electrical Code
- 3 x 60W E26 Bulb



1

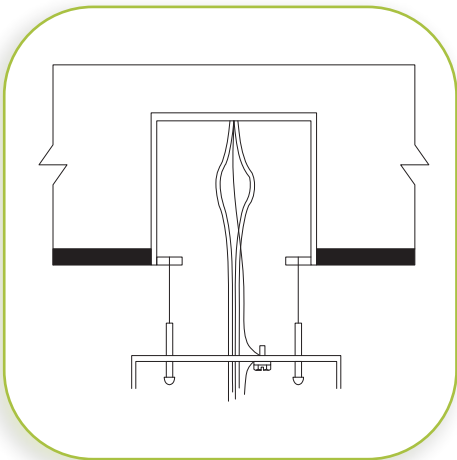
UNPACK YOUR FIXTURE



2

PREPARE FIXTURE AND MOUNTING PLATE

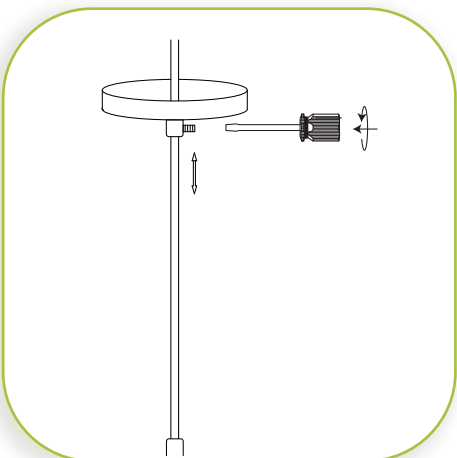
Remove the mounting plate from the canopy by unscrewing the side screws from the canopy.



3

INSTALL MOUNTING PLATE

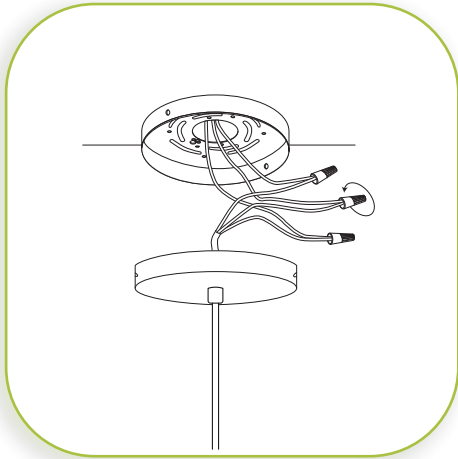
If there is an existing fixture, remove it. Expose the supply wires from the J-box. Insert supply wires through the mounting plate. Secure mounting plate using the two Phillips head screws provided. Hand tighten to secure.



4

DETERMINING DESIRED HEIGHT

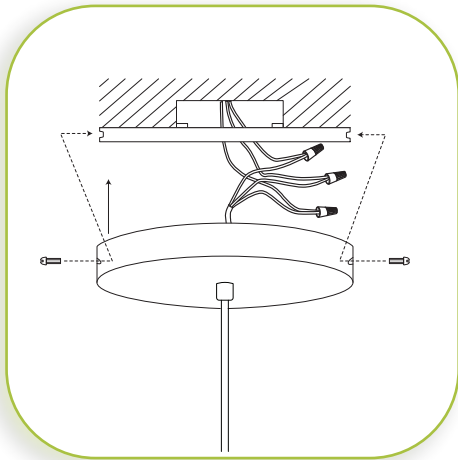
After determining your desired height, loosen screw on decorative nut below canopy with Flathead screwdriver. Slide canopy down 12" to 18" below desired height. Let sit while preparing the wiring. Cut power supply cord leaving 6" to 12" above desired height for minor adjustments.



5

MAKE WIRE CONNECTIONS

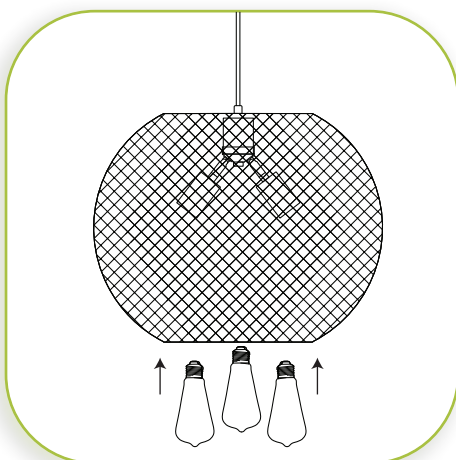
Connect BLACK fixture wire to the BLACK supply wire and WHITE fixture wire to the WHITE supply wire. Connect the fixture GROUND wire to the J-Box GROUND wire or wrap around one of the protruding screws on the mounting plate. Secure all connections with the supplied wire nuts, secure all wire connections with electrical tape (not supplied). Tuck all wires carefully into the J-Box.



6

INSTALL FIXTURE TO THE MOUNTING PLATE

Position canopy over the mounting plate. Align the holes on the mounting plate with the holes on the side of canopy and secure with the supplied screws.



7

INSTALL THE BULB

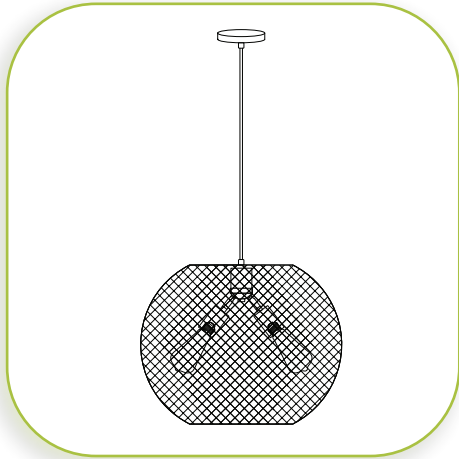
Install the bulbs.

MAXIMUM WATTAGE 60W PER SOCKET.

DO NOT EXCEED THE WATTAGE AS STATED

ON THE WARNING LABEL.

NOTE: Sockets are adjustable.



8

**RESTORE THE ELECTRICITY AND
CHECK THE OPERATION OF YOUR
NEW FIXTURE**



DIMMER NOTE

Note: For the best lighting experience, we recommend using a dimmer. Not only does this allow you to create a great ambiance, it allows for energy savings and extends the life of the bulbs.