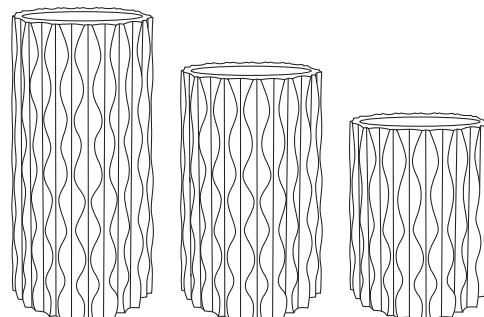




IMPORTANT

Before opening your LampLust Pearl Ripple Flameless Wax Candles, please make sure that you carefully read through these instruction sheets.

NOTE: The important safeguards and instructions that appear in this manual are not meant to cover all possible conditions and situations that may occur. It must be understood that common sense, caution and care are factors that can't be built into any product. This approach must be used by the person(s) caring for and operating the candles.



GENERAL INFORMATION

Battery installation should only be performed by an adult. Only batteries of the same or equivalent type as recommended should be used. Battery leakage can cause corrosion and damage to this product so please remove non-functioning batteries immediately. Remove the batteries from product during long periods of non-use.

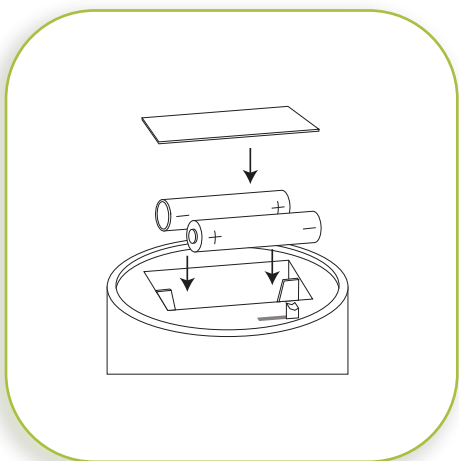
DO NOT DISPOSE OF IN FIRE. Please dispose at your local recycling facility.

WHAT WE PROVIDE

- Three Pearl Flameless Wax Candles
- 6 AA Batteries (2 Per Candle)
- 6 Button Remote Control

STEP BY STEP INSTRUCTIONS

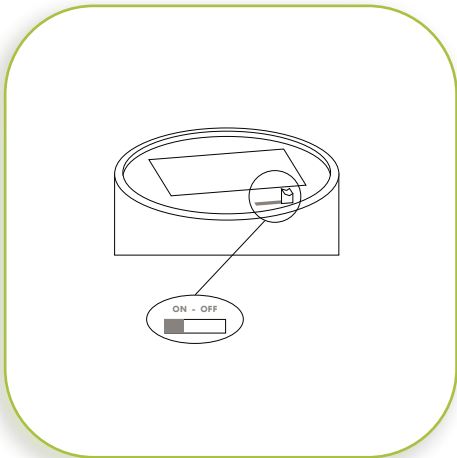
Before turning on your candles, remove the battery tab from the battery compartment (located on the bottom of the candle), thereby activating the batteries.



1

BATTERY INSTALLATION

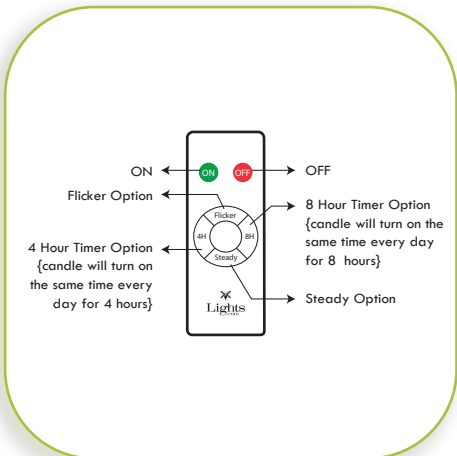
The candles work with 2 x AA batteries (included). The battery compartment is located on the bottom of the candles. Batteries should be inserted with the correct polarity as indicated (+/-) and battery compartments secured before use.



2

SWITCH OPTIONS

The on/off switch is located on the bottom of the candle, below the battery compartment. To turn the candle on/off use this switch. Once the switch is turned to the "ON" position the candle can be controlled using the remote, until it is manually turned to "OFF".



3

REMOTE FUNCTIONS

The candle switch must be turned to "ON" in order for the remote control to function.