

INSTALLATION INSTRUCTIONS



IMPORTANT

Before opening your Lamplust Surreal Flame Candle, please make sure that you carefully read through these instruction sheets.

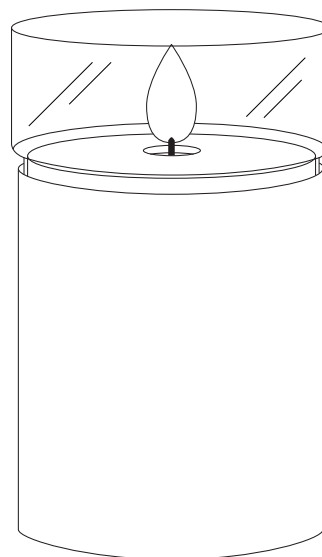
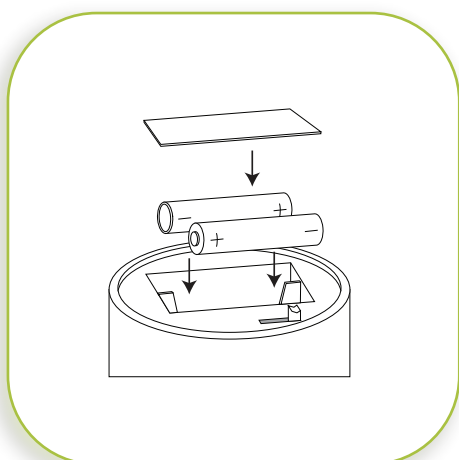
NOTE: The important safeguards and instructions that appear in this manual are not meant to cover all possible conditions and situations that may occur. It must be understood that common sense, caution, and care are factors that can't be built into any product. This approach must be used by the person(s) caring for and operating the candle.

GENERAL INFORMATION

Battery Installation should only be performed by an adult. Only batteries of the same or equivalent type as recommended should be used. Battery leakage can cause corrosion and damage to this product, so please remove non-functioning batteries immediately. Remove the batteries from product during long periods of non-use. **DO NOT DISPOSE OF BATTERIES IN FIRE.** Please dispose at your local recycling facility.

STEP BY STEP INSTRUCTIONS

Before turning on your candle, remove the battery tab from the battery compartment (located on the bottom of the candle), thereby activating the batteries.



MODEL NO.

LC003743

LC003744

LC003745

WHAT WE PROVIDE

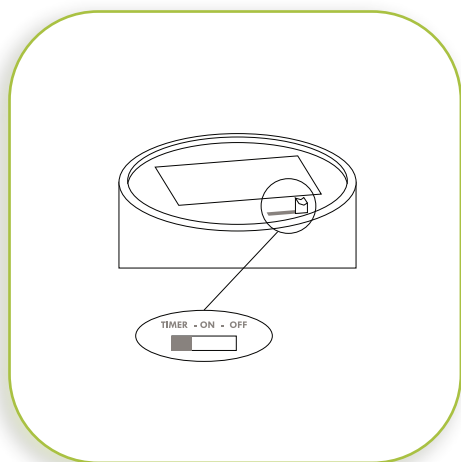
- One Surreal Flame Pillar Candle
- 2 x AA Alkaline Batteries

BATTERY INSTALLATION

The candle works with 2 x AA batteries (included). The battery compartment is located on the bottom of the candle. Batteries should be inserted with the correct polarity as indicated (+/-) and battery compartments secured before use.

1

INSTALLATION INSTRUCTIONS



2

TIMER/ON/OFF

The TIMER/ON/OFF switch is located on the bottom of the candle, next to the battery compartment. To activate the timer, move the switch to the "TIMER" position and the candle will remain on for 5-hours. Once set, the timer will turn the candle on and off at the same time each day. To operate the candle manually, move the switch to the "ON" or "OFF" position.



3

REMOTE CONTROL

The remote control is not included with your purchase, but should you choose to buy the optional remote, the candle switch must be in the "ON" position for the remote control to function.