



INSTALLATION INSTRUCTIONS

IMPORTANT

Before opening your LAMPLUST pillars, please make sure that you carefully read through these instruction sheets.

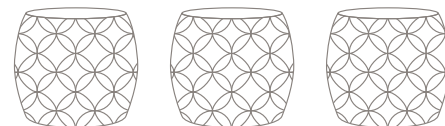
NOTE: The important safeguards and instructions that appear in this manual are not meant to cover all possible conditions and situations that may occur. It must be understood that common sense, caution and care are factors that can't be built into any product. These factors must be supplied by the person(s) caring for and operating the pillars.

GENERAL INFORMATION

Battery installation should only be performed by an adult. Only batteries of the same or equivalent type as recommended should be used. Battery leakage can cause corrosion and damage to this product so please remove non-functioning batteries immediately. Remove the batteries from product during long periods of non-use.
DO NOT DISPOSE OF IN FIRE. Please dispose at your local recycling facility.

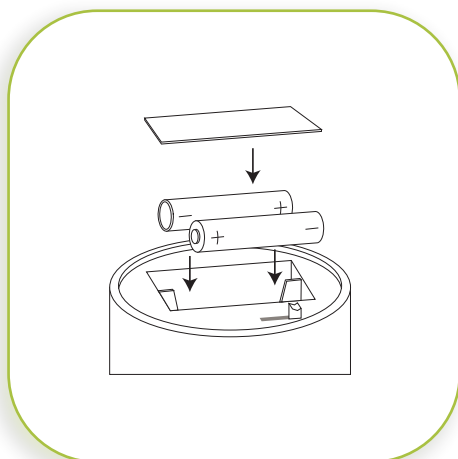
STEP BY STEP INSTRUCTIONS

Before turning ON your pillars remove the battery tab from the battery compartment, (located on the bottom of the candle) thereby activating the battery.



WHAT WE PROVIDE

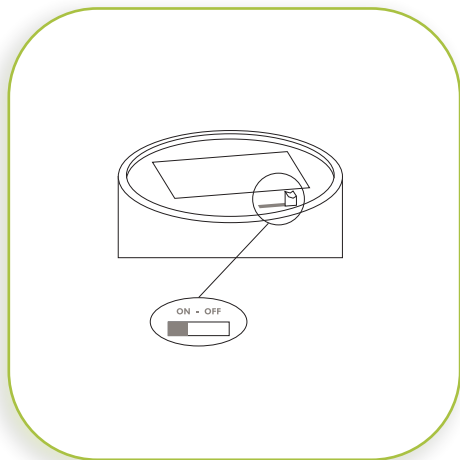
- Three Trellis Carved Pillars
- Six AA Batteries (two per candle)
- Eight Button Remote



1

BATTERY INSTALLATION

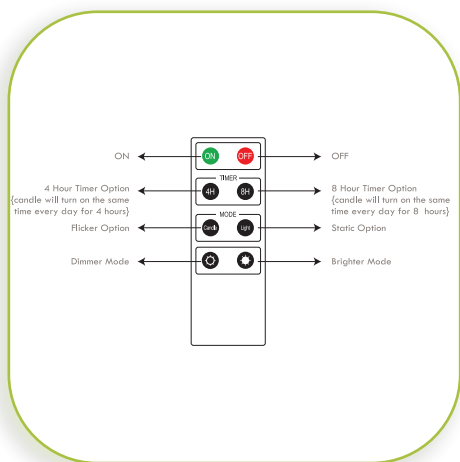
The candles work with 2 x AA batteries (included). The battery compartment is located on the bottom of the candles. Batteries should be inserted with the correct polarity as indicated (+/-) and battery compartments secured.



2

ON/OFF SWITCH

The ON/OFF switch is located on the bottom of the candle, below the battery compartment. To turn the candle ON/OFF use the switch located on the bottom. Once the candle is turned to the "ON" position it can be controlled using the remote, until it's manually turned off.



3

REMOTE FUNCTIONS

The candle switch must be turned on in order for the remote to function.