

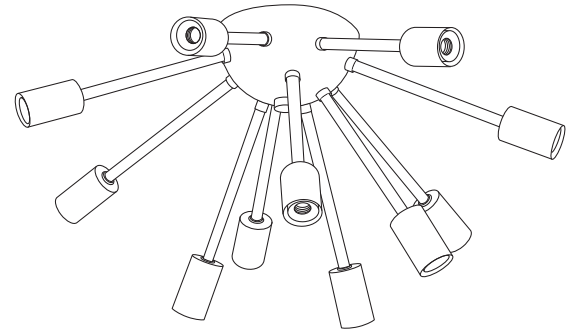
INSTALLATION INSTRUCTIONS



IMPORTANT

Before opening your LampLust fixture, please make sure that, please make sure that you carefully read through these instruction sheets. Consider having your fixture installed by a qualified licensed electrician.

NOTE: The important safeguards and instructions that appear in this manual are not meant to cover all possible conditions and situations that may occur. It must be understood that common sense, caution and care, are factors that can't be built into any product. This approach must be used by the person(s) caring for and operating the fixture.



GENERAL INFORMATION

All electrical connections must be in accordance with all ordinances, local and national electrical codes. These fixtures are intended for mounting to a standard 4" x 2-1/2" metal octagon outlet box. The box must be directly supported by the building structure and U.L. recognized.

STEP BY STEP INSTRUCTIONS

Before starting your installation, disconnect the power by turning off the circuit breaker or by removing the fuse at the fuse box. Just turning the light off at the light switch is not sufficient to prevent electrical shock.

COLLECTION

Sputnik

APPLICATION

Flush Mount

MODEL NO.

LC003685

LC003686

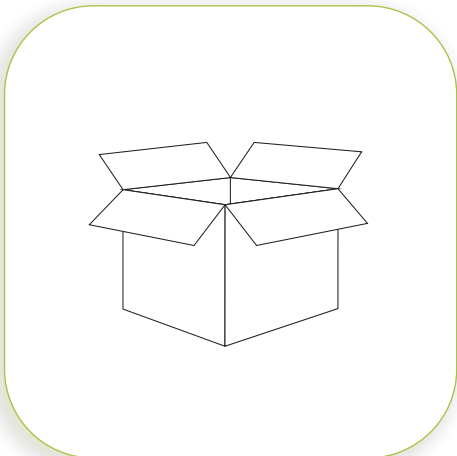
LC003687

WHAT WE PROVIDE

- Mounting & Wiring Hardware
- Flush Mount with 12 Arms

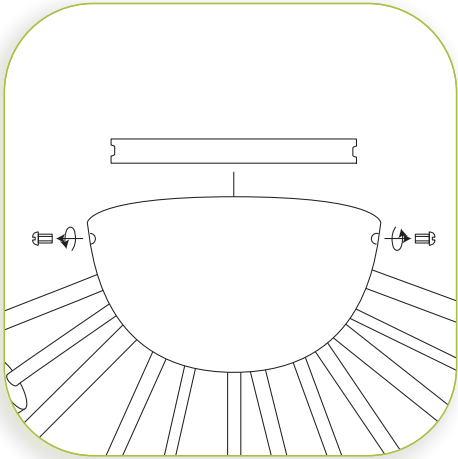
WHAT YOU NEED

- Phillips Head Screwdriver
- Wire Cutters
- Wiring Supplies as Specified by Electrical Code
- 12 x 40W E12 Bulbs



1

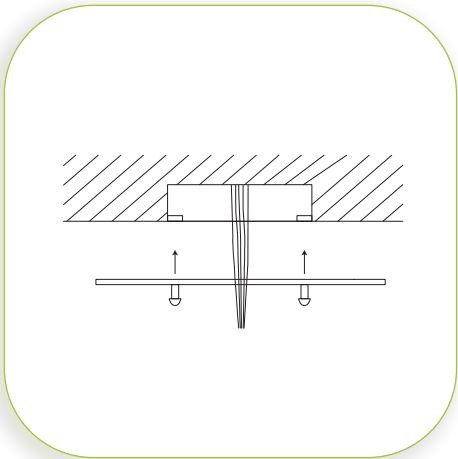
UNPACK YOUR FIXTURE



2

PREPARE FIXTURE AND MOUNTING PLATE

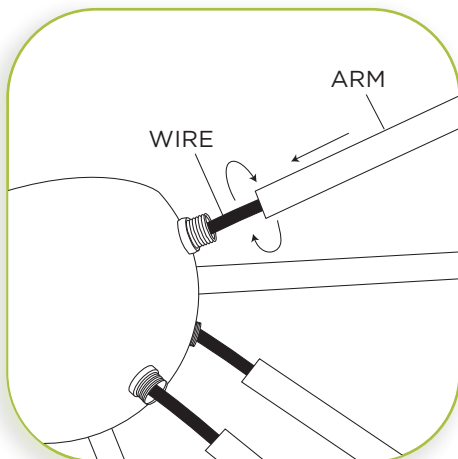
Remove the mounting plate from the fixture by unscrewing the side screws from the canopy.



3

INSTALL MOUNTING PLATE

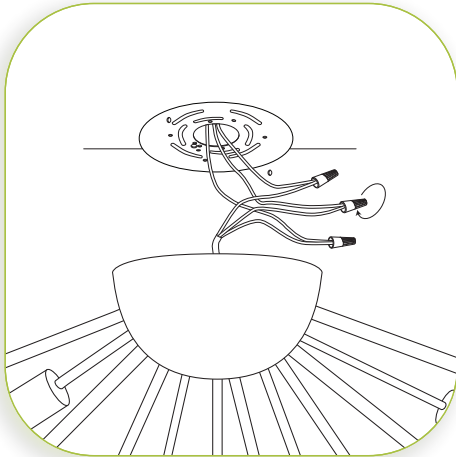
If there is an existing fixture, remove it. Expose the supply wires from the J-box. Insert supply wires through the mounting plate. Secure mounting plate using the two Phillips head screws provided. Hand tighten to secure.



4

INSTALL SOCKETS AND ARMS

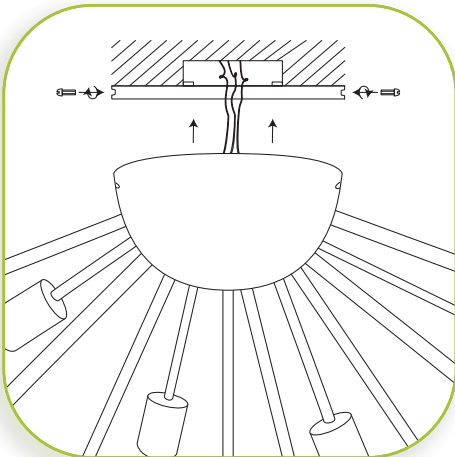
Screw each arm into center hub turning clockwise until it sits flush. Repeat this step for each arm until they are all secure.



5

MAKE WIRE CONNECTIONS

Connect BLACK fixture wire to the BLACK supply wire and the WHITE fixture wire to the WHITE supply wire. Either wrap the green wire around one of the protruding screws on the mounting plate or connect it to the ground wire. Secure all connections with the supplied wire nuts. Secure all wire connections with electrical tape (not supplied). Tuck all wires carefully into the J-Box.



6

INSTALL FIXTURE TO THE MOUNTING PLATE

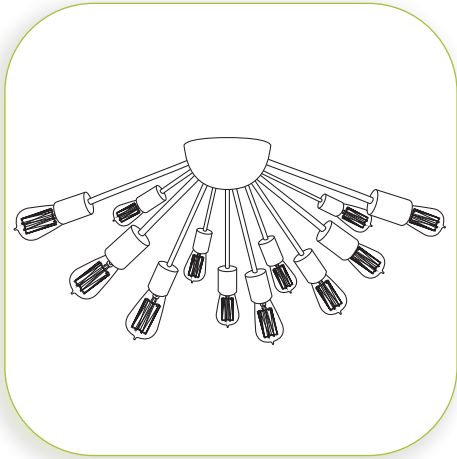
Position canopy over the mounting plate. Align the holes on the sides of the mounting plate with the two holes on the sides of the canopy and secure with the supplied screws.



7

INSTALL THE BULBS

Insert the bulbs.
MAXIMUM WATTAGE 40W per socket.
DO NOT EXCEED THE WATTAGE AS STATED ON THE WARNING LABEL.



8

**RESTORE THE ELECTRICITY AND
CHECK THE OPERATION OF YOUR
NEW FIXTURE**

CAUTION

Please ensure that the fitting is cool and switched off before replacing the bulb. DO NOT use bulbs that might exceed the maximum wattage, stated on caution label.

DIMMER NOTE

For the best lighting experience, we recommend using a dimmer. Not only does this allow you to create a great ambiance, it allows for energy savings and extends the life of the bulbs.