

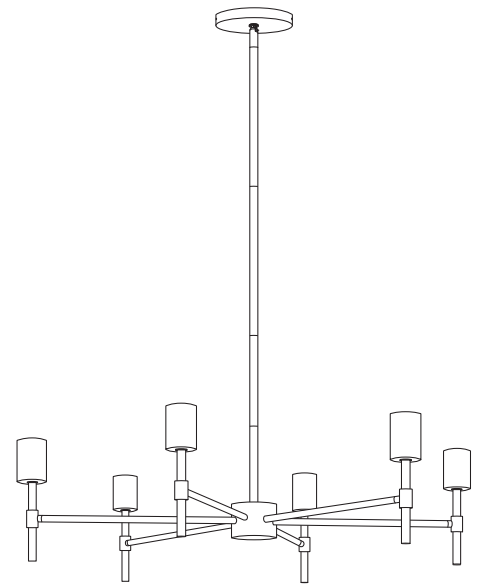
INSTALLATION INSTRUCTIONS



IMPORTANT

Before opening your Lights.com fixture, please make sure that you carefully read through these instruction sheets. Consider having your fixture installed by a qualified licensed electrician.

NOTE: The important safeguards and instructions that appear in this manual are not meant to cover all possible conditions and situations that may occur. It must be understood that common sense, caution and care, are factors that can't be built into any product. This approach must be used by the person(s) caring for and operating the fixture.



GENERAL INFORMATION

All electrical connections must be in accordance with all ordinances, local and national electrical codes. These fixtures are intended for mounting to a standard 4" x 2-1/2" metal octagon outlet box. The box must be directly supported by the building structure and U.L. recognized.

STEP BY STEP INSTRUCTIONS

Before starting your installation, disconnect the power by turning off the circuit breaker or by removing the fuse at the fuse box. Just turning the light off at the light switch is not sufficient to prevent electrical shock.

COLLECTION

Prospect

APPLICATION

Chandelier

MODEL NO.

LC003592

LC003593

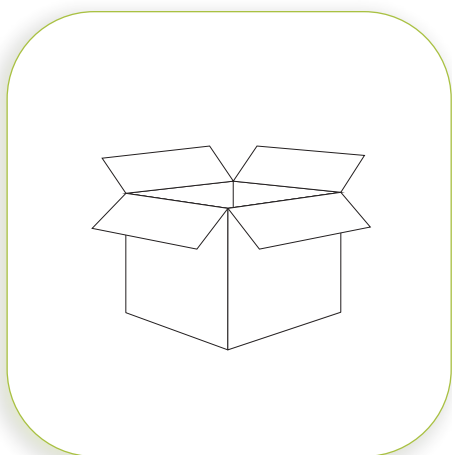
LC004143

WHAT WE PROVIDE

- Mounting & Wiring Hardware
- Two 6" and Four 12" Rods
- Canopy Kit
- Allen Key

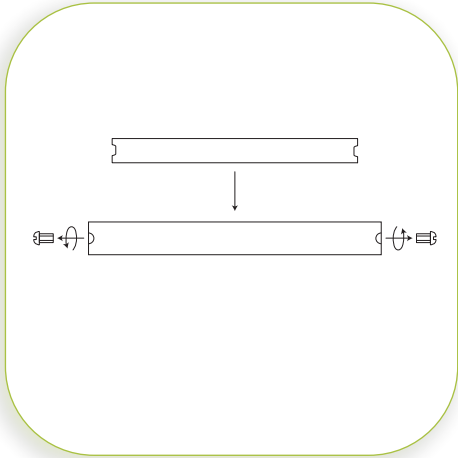
WHAT YOU NEED

- Phillips Screwdriver
- Wire Cutters
- Wiring Supplies as Specified by Electrical Code
- 6x 60W E26 Bulbs



1

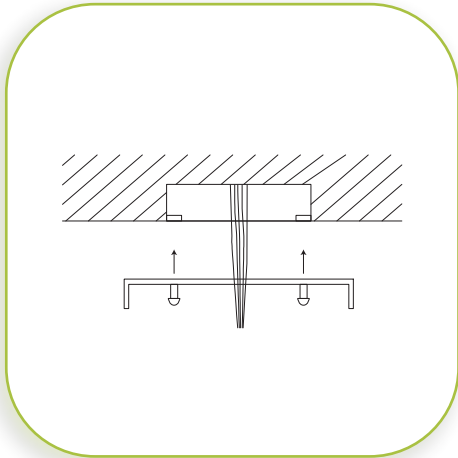
UNPACK YOUR FIXTURE



2

PREPARE FIXTURE AND MOUNTING PLATE

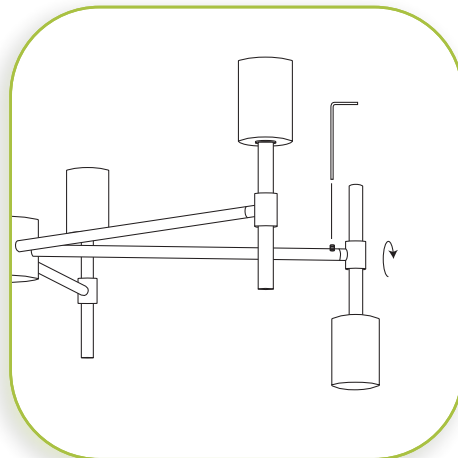
Remove the mounting plate from the canopy by unscrewing the side screws from the canopy.



3

INSTALL MOUNTING PLATE

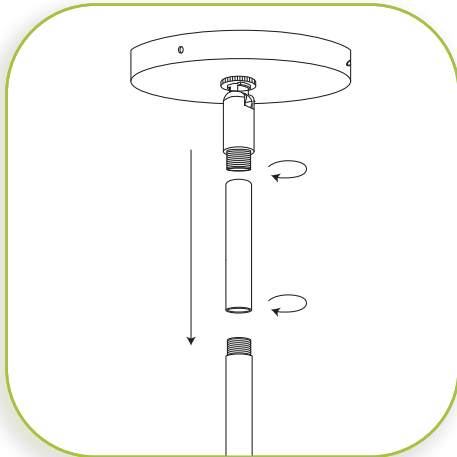
If there is an existing fixture, remove it. Expose the supply wires from the J-Box. Insert supply wires through the mounting plate. Secure the mounting plate using the two Phillips head screws provided. Tighten to secure.



4

ADJUSTING SOCKETS

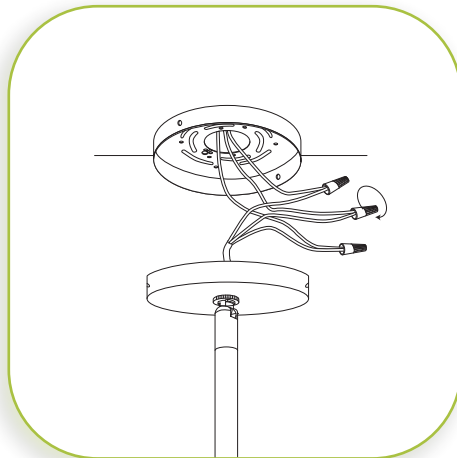
Decide on socket orientation (can face up or down). Hand tighten the Allen screw using the Allen key provided. Do not overtighten.



5

DETERMINE HEIGHT

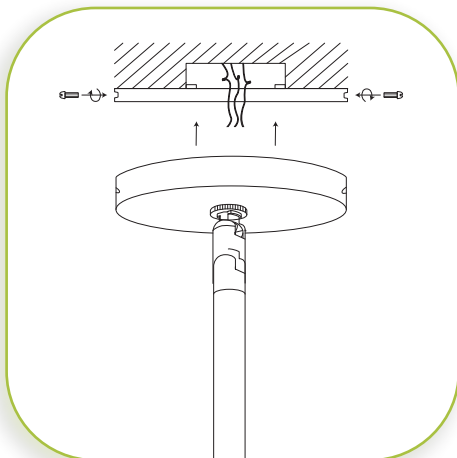
Measure fixture to desired height. Please note this must be done in 6" increments. Once determined, connect the rods one by one to the top of the chandelier. Once rods are connected, thread included sloped ceiling adapter and canopy onto the top of the rods. Cut power supply leaving at least 12"-18" above, for minor adjustments.



6

MAKE WIRE CONNECTIONS

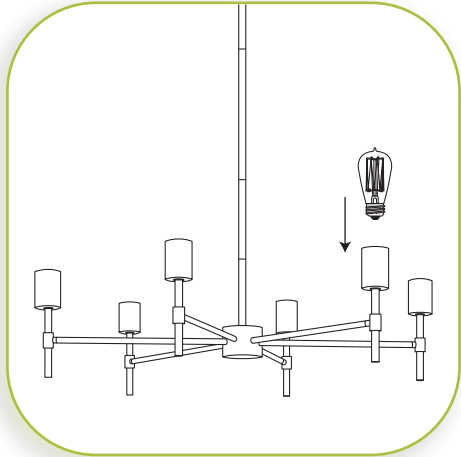
Connect the BLACK supply wire to the BLACK fixture wire and WHITE supply wire to the WHITE fixture wire. Secure with the supplied wire nuts. Either wrap the green wire around one of the protruding screws on the mounting plate or connect it to the ground wire. Secure all wires with electrical tape (not supplied). Tuck all wires carefully into the J-Box.



7

INSTALL FIXTURE TO THE MOUNTING PLATE

Position canopy over the mounting plate. Align the holes on the sides of the mounting plate with the two holes on the sides of the canopy and secure with the supplied screws.



8

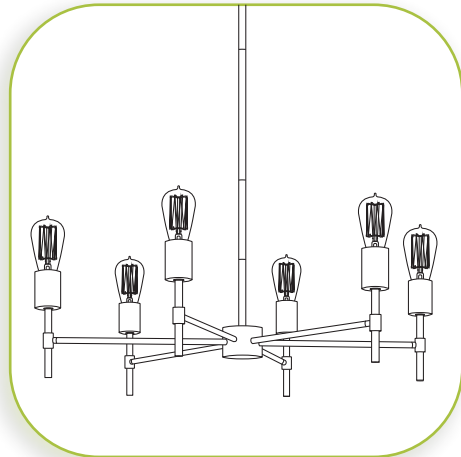
INSTALL THE BULBS

Insert the bulbs.

MAXIMUM WATTAGE 60W PER SOCKET.

DO NOT EXCEED THE WATTAGE AS

STATED ON THE WARNING LABEL.



9

RESTORE THE ELECTRICITY AND CHECK THE OPERATION OF YOUR NEW FIXTURE



DIMMER NOTE

For the best lighting experience, we recommend using a dimmer. Not only does this allow you to create a great ambiance, it allows for energy savings and extends the life of the bulbs.