

# INSTALLATION INSTRUCTIONS



## IMPORTANT

Before opening your Lights.com fixture, please make sure that you carefully read through these instruction sheets. Consider having your fixture installed by a qualified licensed electrician.

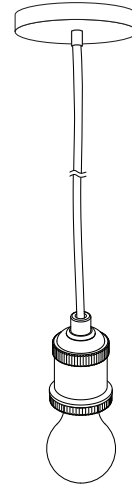
**NOTE:** The important safeguards and instructions that appear in this manual are not meant to cover all possible conditions and situations that may occur. It must be understood that common sense, caution and care, are factors that can't be built into any product. This approach must be used by the person(s) caring for and operating the fixture.

## GENERAL INFORMATION

All electrical connections must be in accordance with all ordinances, local and national electrical codes. These fixtures are intended for mounting to a standard 4" x 2 1/2" metal outlet box. The box must be directly supported by the building structure and U.L. Recognized.

## STEP BY STEP INSTRUCTIONS

Before starting your installation disconnect the power by turning off the circuit breaker or by removing the fuse at the fuse box. Just turning the light off at the light switch is not sufficient to prevent electrical shock.



## COLLECTION

Alton

## APPLICATION

Pendant

## MODEL NO.

LC003578  
LC003579  
LC003580  
LC003581  
LC003582

## WHAT WE PROVIDE

- Mounting & Wiring Hardware
- Canopy Kit
- Socket & Cord Set

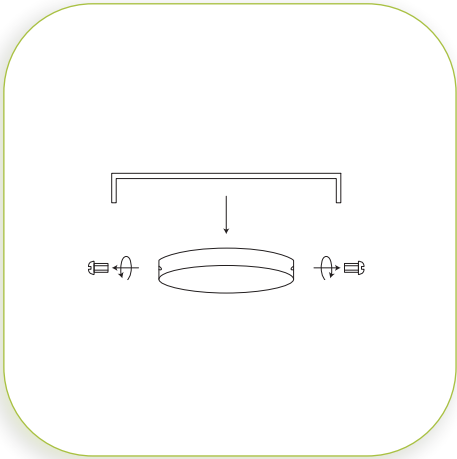
## WHAT YOU NEED

- Phillips & Flathead Screwdriver
- Wire Cutters
- Wiring Supplies as Specified by Electrical Code
- 1 x 60W E26 Bulb



# 1

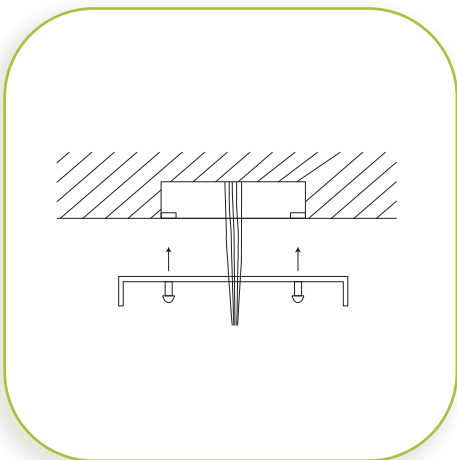
## UNPACK YOUR FIXTURE



# 2

## PREPARE FIXTURE AND MOUNTING PLATE

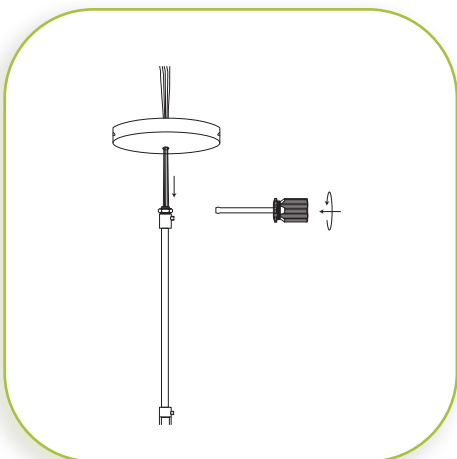
Remove the mounting plate by unscrewing the side screws from the canopy.



# 3

## INSTALL MOUNTING PLATE

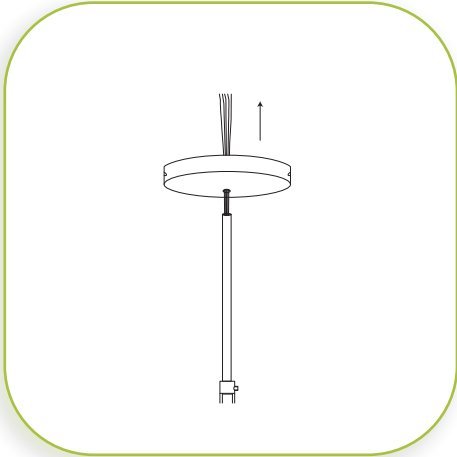
If there is an existing fixture, remove it. Expose the supply wires from the J-Box. Insert supply wires through the mounting plate. Secure the mounting plate using two Phillips head screws provided. Tighten to secure.



# 4

## DETERMINE DESIRED HEIGHT

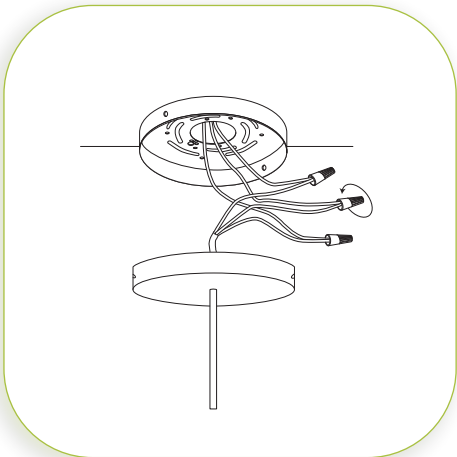
Loosen screw on decorative nut below canopy with Flathead screwdriver. Slide canopy down 12" to 18" below desired height. Let sit while preparing the wiring. Cut power supply cord leaving 6" to 12" above for minor adjustments.



# 5

## SECURE CANOPY

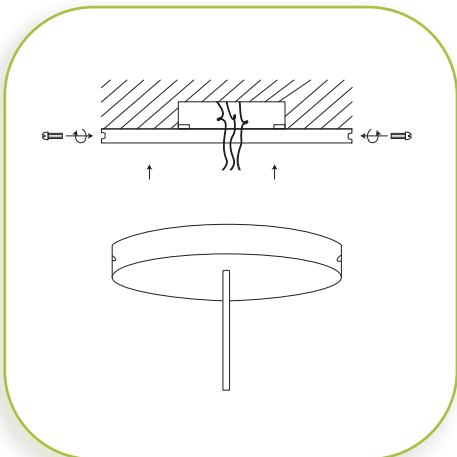
Slide canopy back up the wire, stopping at the desired height.



# 6

## MAKE WIRE CONNECTIONS

Connect BLACK fixture wire to the BLACK supply wire and WHITE fixture wire to the WHITE supply wire. Connect the fixture GROUND wire to the J-Box GROUND wire. Secure all connections with the supplied wire nuts, secure all wire connections with electrical tape (not supplied). Tuck all wires carefully into the J-Box.



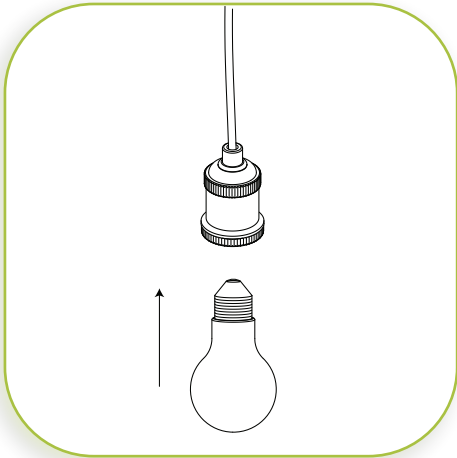
# 7

## INSTALL FIXTURE TO THE MOUNTING PLATE

Position canopy over the mounting plate. Align the holes with the side of canopy with and secure with the supplied screws.

**NOTE**

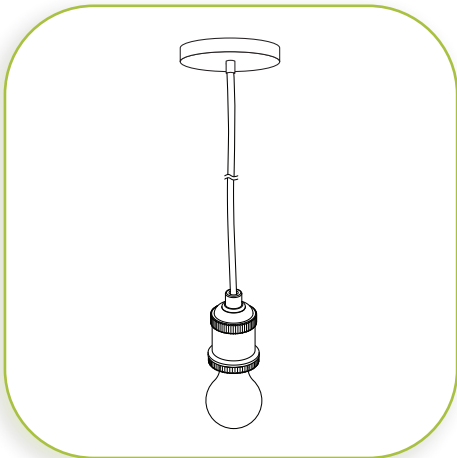
\*If you have purchased an accessory, such as a cage or glass, please refer to the addendum instructions that are included with the accessory.



**8**

**INSTALL THE BULB**

Insert the bulb. **MAXIMUM WATTAGE 60W. DO NOT EXCEED THE WATTAGE AS STATED ON THE WARNING LABEL**



**9**

**RESTORE THE ELECTRICITY AND CHECK THE OPERATION OF YOUR NEW FIXTURE**

**CAUTION** Please ensure that the fitting is cool and switched off before replacing the bulb. **DO NOT** use bulbs that might exceed the maximum wattage, stated on caution label.

**DIMMER NOTE**

For the best lighting experience, we recommend using a dimmer. Not only does this allow you to create a great ambiance, it allows for energy savings and extends the life of the bulb.