

# INSTALLATION INSTRUCTIONS



## IMPORTANT

Before opening your Lights.com fixture, please make sure that you carefully read through these instruction sheets. Consider having your fixture installed by a qualified licensed electrician.

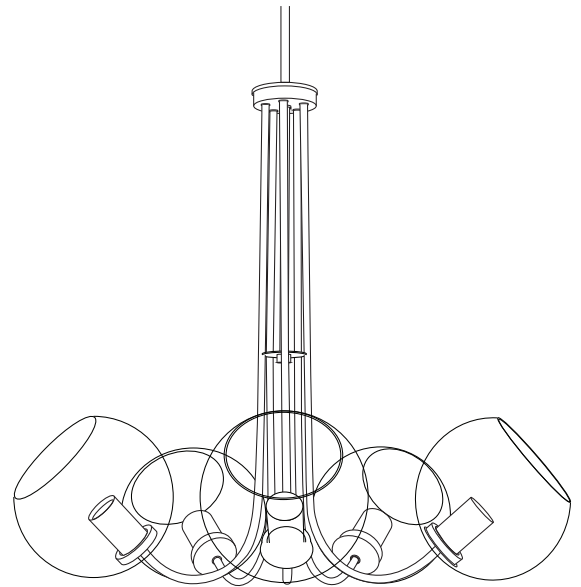
**NOTE:** The important safeguards and instructions that appear in this manual are not meant to cover all possible conditions and situations that may occur. It must be understood that common sense, caution and care, are factors that can't be built into any product. This approach must be used by the person(s) caring for and operating the fixture.

## GENERAL INFORMATION

All electrical connections must be in accordance with all ordinances, local and national electrical codes. These fixtures are intended for mounting to a standard 4" x 2-1/2" metal octagon box. The box must be directly supported by the building structure and U.L. Recognized.

## STEP BY STEP INSTRUCTIONS

Before starting your installation disconnect the power by turning off the circuit breaker or by removing the fuse at the fuse box. Just turning the light off at the light switch is not sufficient to prevent electrical shock.



## COLLECTION

Celeste

## MODEL NO.

LC003563

## MODEL NO.

LC004253

## APPLICATION

Chandelier

LC003564

LC004254

LC003565

LC004255

## WHAT WE PROVIDE

- Mounting & Wiring Hardware
- Glass Shades
- Canopy Kit
- Metal Pendant & Cord Set
- One 6" Rod, Two 12" Rods, and One 18" Rod

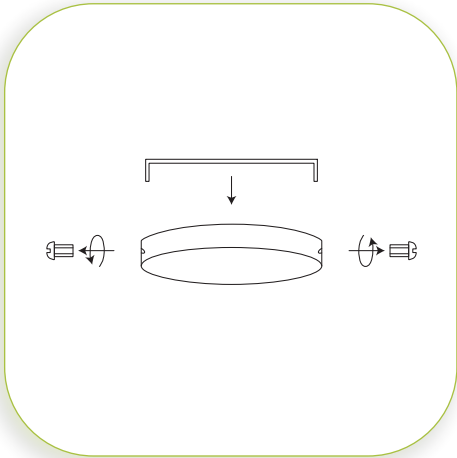
## WHAT YOU NEED

- Phillips Head Screwdriver
- Wire Cutters
- Wiring Supplies as Specified by Electrical Code
- 5 x 60W E26 Bulb
- Electrical Tape



# 1

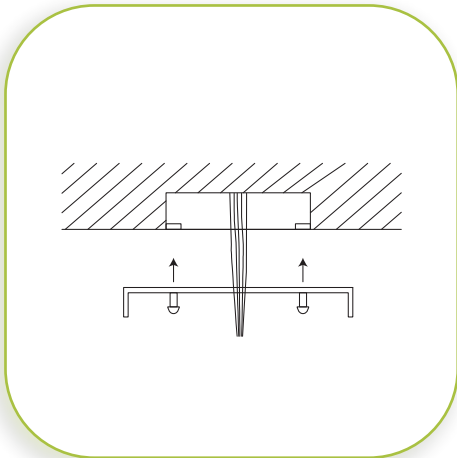
## UNPACK YOUR FIXTURE



# 2

## PREPARE FIXTURE AND MOUNTING PLATE

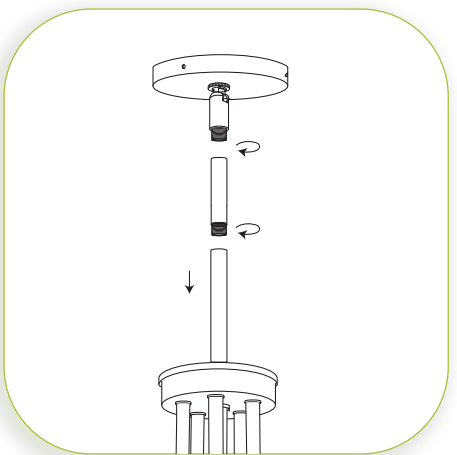
Remove the mounting plate from the canopy by unscrewing the side screws from the canopy.



# 3

## INSTALL MOUNTING PLATE

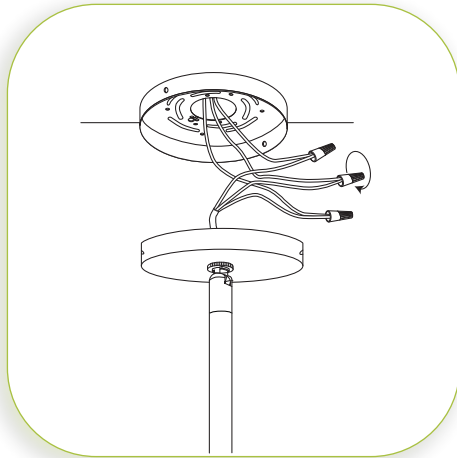
If there is an existing fixture, remove it. Expose the supply wires from the J-box. Insert supply wires through the mounting plate. Secure mounting plate using two Phillips head screws provided. Hand tighten to secure.



# 4

## DETERMINE HEIGHT

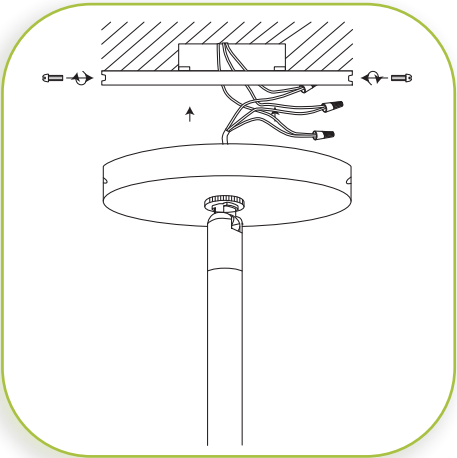
Measure fixture to desired height. Please note this must be done in 6" increments. Once determined, connect the rods one by one to the top of the pendant. Once rods are connected, thread included sloped ceiling adapter and canopy onto the top of the rods. Cut power supply leaving at least 12-18" above, for minor adjustments.



# 5

## MAKE WIRE CONNECTIONS

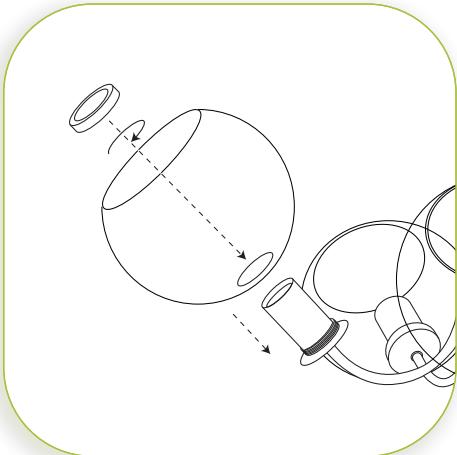
Connect BLACK fixture wire to the BLACK supply wire and WHITE fixture wire to the WHITE supply wire. Connect the fixture GROUND wire to the J-Box GROUND wire. Secure all connections with the supplied wire nuts, secure all wire connections with electrical tape (not supplied). Tuck all wires carefully into the J-Box.



# 6

## INSTALL FIXTURE TO THE MOUNTING PLATE

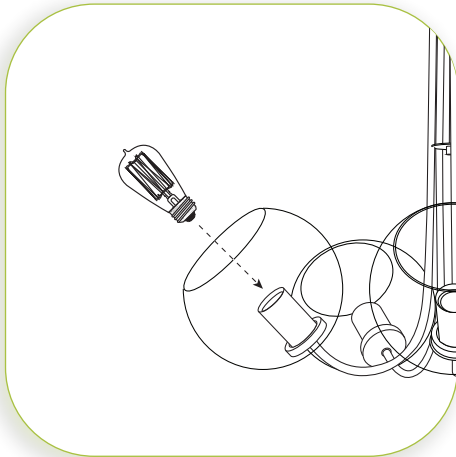
Position canopy over the mounting plate. Align the holes with the side of canopy with and secure with the supplied screws.



# 7

## INSTALL GLASS SHADES

Remove the socket ring from the socket. Install glass shade onto the socket and secure in place with socket ring.



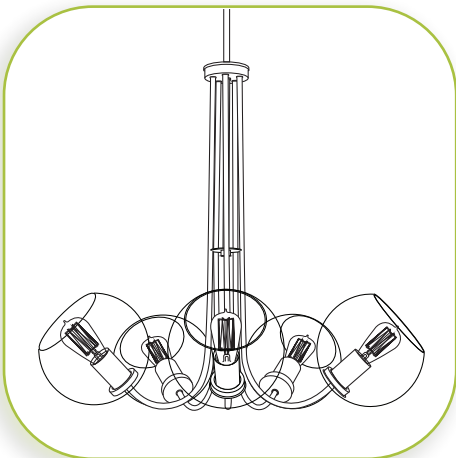
8

### INSTALL THE BULBS

Insert the bulbs.

MAXIMUM WATTAGE 60W.

DO NOT EXCEED THE WATTAGE AS STATED ON THE WARNING LABEL.



9

### RESTORE THE ELECTRICITY AND CHECK THE OPERATION OF YOUR NEW FIXTURE



### DIMMER NOTE

Note: For the best lighting experience, we recommend using a dimmer. Not only does this allow you to create a great ambiance, it allows for energy savings and extends the life of the bulbs.