

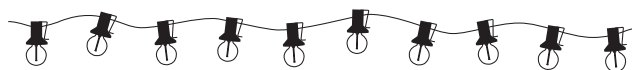
INSTALLATION INSTRUCTIONS



IMPORTANT

Before assembling your LampLust Classic Black Connectable Glass Globe Plug-in String Lights, please make sure that you carefully read through these instruction sheets.

NOTE: The important safeguards and instructions that appear in this manual are not meant to cover all possible conditions and situations that may occur. It must be understood that common sense, caution and care are factors that can't be built into any product. This approach must be used by the person(s) caring for and operating the string lights.



GENERAL INFORMATION

These string lights are suitable for indoor and outdoor use. DO NOT attempt to replace or repair any damaged cable parts. After use, ensure the string light set is clean and dry before storage. DO NOT DISPOSE OF IN FIRE. Please dispose at your local recycling facility.

MODEL NO.

LC003456

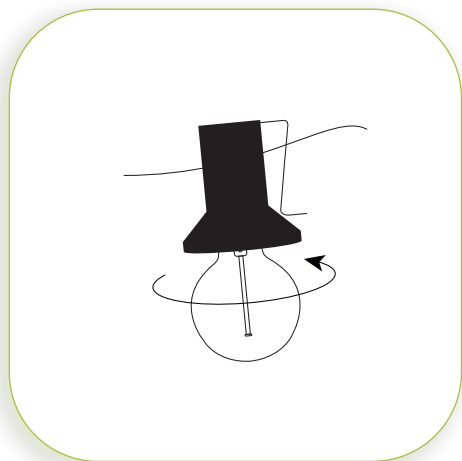
LC003386

WHAT WE PROVIDE

- Black Connectable Glass Globe Plug-In String Lights
- 2 Additional Fuses

STEP BY STEP INSTRUCTIONS

Before installing your string lights, remove packaging. When setting up the string light set, carefully position cables to avoid a tripping hazard, and when hanging lights use a stable method of support.

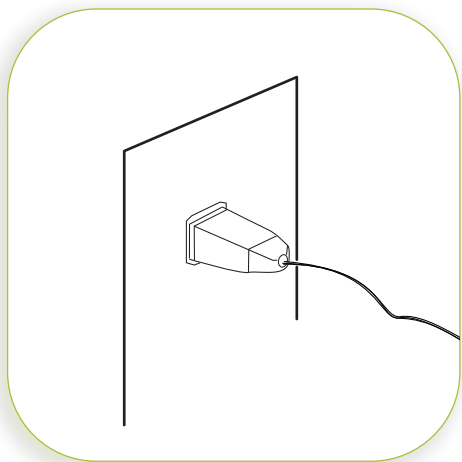


1

BULB INSTALLATION

Remove bulbs from packaging and carefully twist into the sockets on the light strand.

INSTALLATION INSTRUCTIONS

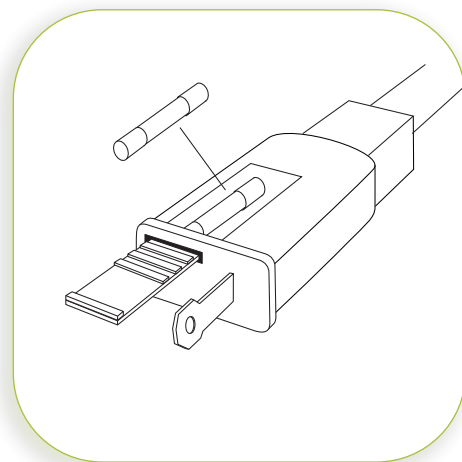


2

STRING LIGHT INSTALLATION

Carefully plug the string lights into a wall socket. The string lights can be connected up to a **MAXIMUM** of 100 lights (500W).

NOTE: For the 25-light strand (Model LC003456) up to 4 strands can be connected; for the 50-light strand (Model LC003386) up to 2 strands can be connected.



3

REPLACING THE FUSE

In the event that your lights short circuit and the fuse is blown, there are 2 additional fuses included if needed.

To replace the fuse: Grasp the plug and remove from the outlet where it is plugged in. **DO NOT** unplug by pulling the cord. Open the fuse cover on the plug by sliding the access panel towards the blades of the plug. Remove old fuse carefully and replace with new fuse (only use fuses provided with your purchase). Close the fuse cover by sliding the access panel on the plug away from the plug blades. Your string lights are now ready for use again.