

INSTALLATION INSTRUCTIONS



IMPORTANT

Before assembling your Lamplust Plasma Rope Light, please make sure that you carefully read through these instruction sheets.

NOTE: The important safeguards and instructions that appear in this manual are not meant to cover all possible conditions and situations that may occur.

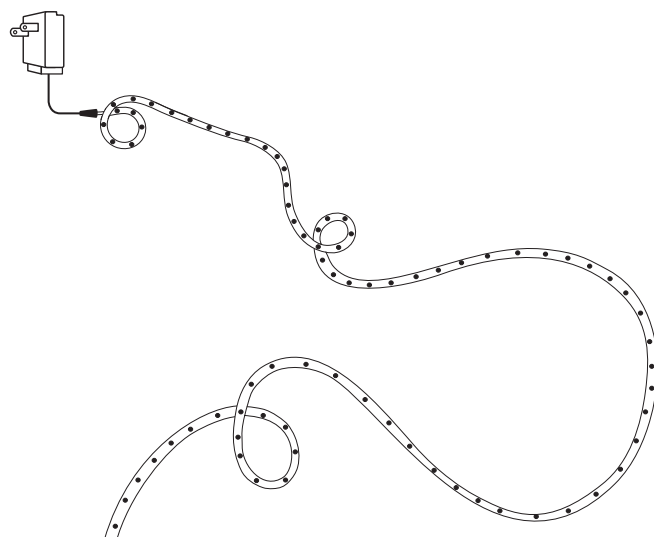
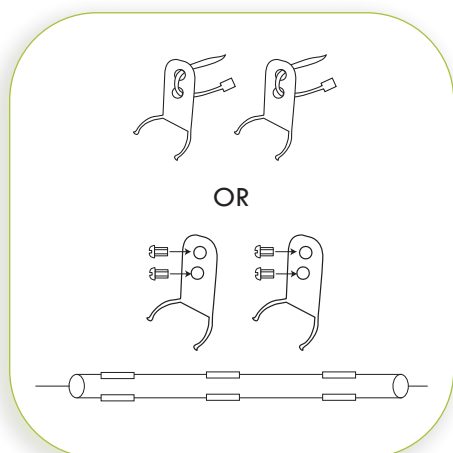
It must be understood that common sense, caution and care are factors that can't be built into any product. This approach must be used by the person(s) caring for and operating the string lights.

GENERAL INFORMATION

- DO NOT cover this product as doing so may cause flexible light to overheat and melt or ignite.
- DO NOT operate with the flexible cable tightly coiled. To prevent overheating, DO NOT allow contact between flexible light cables or parts of light cables.
- DO NOT puncture, cut, shorten or splice the flexible light.
- DO NOT route the cord or flexible light cable through walls, doors, windows, or any like part of a building structure.
- DO NOT submerge flexible light in liquids.
- Secure this flexible light cable using only the hangers or clips provided.

STEP BY STEP INSTRUCTIONS

Before installing your string lights, remove packaging. When setting up the string light, carefully position cables to avoid a tripping hazard, and when hanging lights use a stable method of support.



MODEL NO.

LC003086
LC003087
LC003088
LRLHVWW
LRLHVCW
LRLHVMC

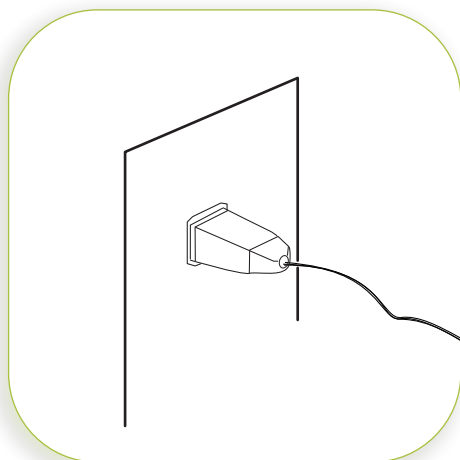
WHAT WE PROVIDE

- 24 Foot LED Plasma Rope Light
- 14 Phillips Head Screws
- 7 Cable Ties
- 7 Mounting Clips
- 1 Spare Fuse

HOW TO INSTALL ROPE LIGHT

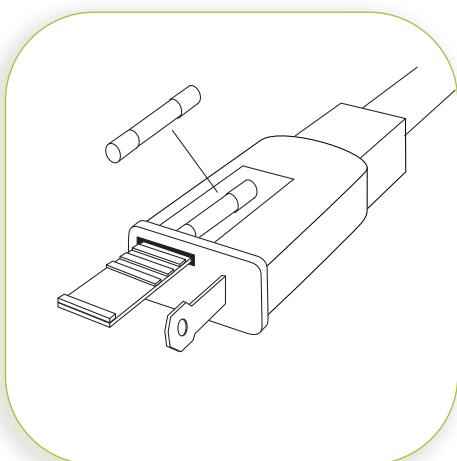
Secure the rope light using the mounting clips and small phillips head screws provided. You may also secure the clips with the included zip ties instead. Once the clips are installed, snap the rope light into place.

1



2

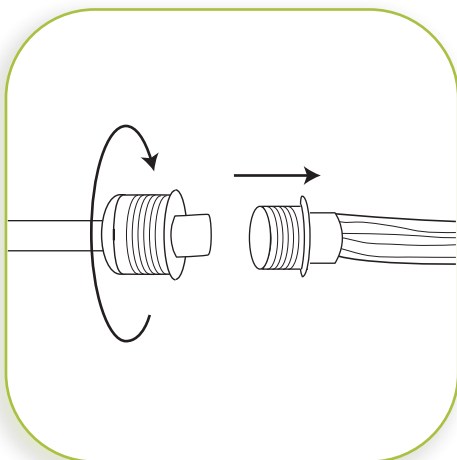
PLUG IN THE ROPE LIGHTS



3

REPLACING THE FUSE

In the event that your lights short circuit and the fuse is blown, there is an additional fuse included. To replace the fuse: Grasp the plug and remove from the outlet where it is plugged in. DO NOT unplug by pulling the cord. Open the fuse cover on the plug by sliding the access panel towards the blades of the plug. Remove old fuse carefully and replace with new fuse (only use fuse provided with your purchase). Close the fuse cover by sliding the access panel on the plug away from the plug blades. Your string lights are now ready for use again.



4A

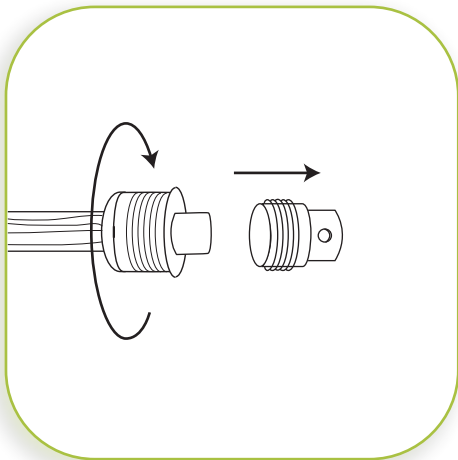
HOW TO EXTEND THE ROPE LIGHT

Should you purchase additional rope lights, you may wish to connect your sets together.

To connect rope lights:

Remove the power cord from the additional rope light by twisting the plastic cap, that is holding the two parts together, counterclockwise and pulling them apart.

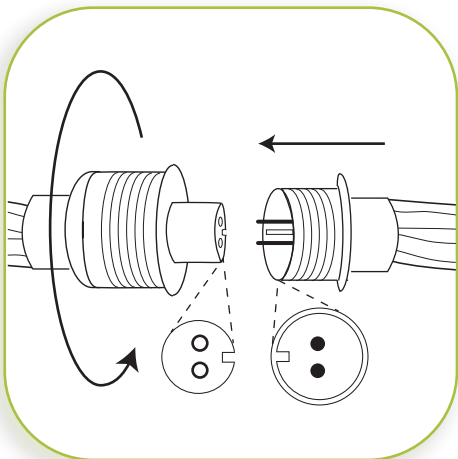
INSTALLATION INSTRUCTIONS



4B

HOW TO EXTEND THE ROPE LIGHT *CONT.*

Remove the end cap from the original rope light by turning the plastic cap counter clockwise.



4C

HOW TO EXTEND THE ROPE LIGHT *CONT.*

Connect the end of the original rope light to the beginning of the additional rope light. Be sure to line up the notch at the end of the original rope light with the indentation on the additional rope light. Twist the plastic cap from the original rope light clockwise to secure the sets together.