

# INSTALLATION INSTRUCTIONS



## IMPORTANT

Before installing your Lights.com fixture, please make sure that you carefully read through these instruction sheets. Consider having your fixture installed by a qualified licensed electrician.

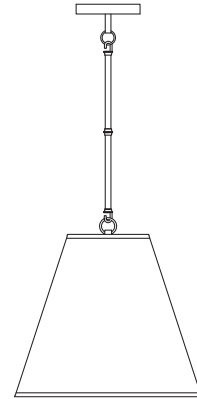
**NOTE:** The important safeguards and instructions that appear in this manual are not meant to cover all possible conditions and situations that may occur. It must be understood that common sense, caution and care, are factors that can't be built into any product. This approach must be used by the person(s) caring for and operating the fixture.

## GENERAL INFORMATION

All electrical connections must be made in accordance with all ordinances and local and national electrical codes. These fixtures are intended for mounting to a standard 4" junction box. The box must be directly supported by the building structure and be ETL or U.L. recognized.

## STEP BY STEP INSTRUCTIONS

Before starting your installation, disconnect the power by turning off the circuit breaker or by removing the fuse at the fuse box. **Just turning the light off at the light switch is not sufficient to prevent electrical shock.**



## COLLECTION

Luca

## APPLICATION

Pendant

## MODEL NO.

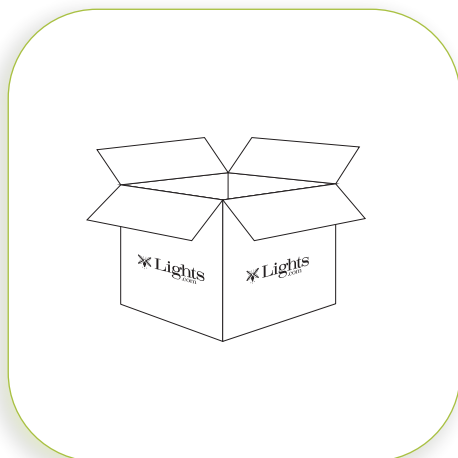
LC005107	LC005110	LC005113
LC005108	LC005111	LC005114
LC005109	LC005112	LC005115

## WHAT WE PROVIDE

- Fabric Shade
- Canopy
- Wire Nuts and Mounting Hardware
- 4 x 6" Rods
- 3 x Couplers
- 2 x Rod Hooks

## WHAT YOU NEED

- Phillips Screwdriver
- Wire Cutters
- Wiring Supplies as Specified by Electrical Code
- 1 x E26 Bulb Max 60 Watts

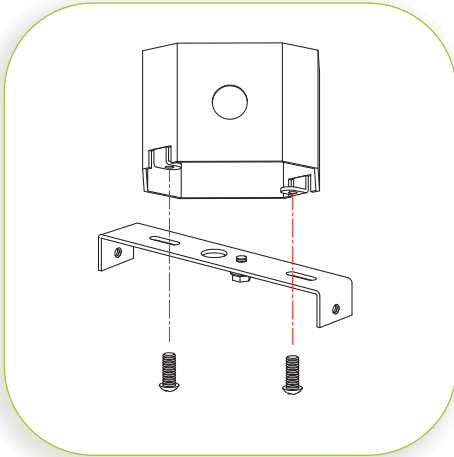


# 1

## UNPACK YOUR FIXTURE

Carefully set aside all parts and pieces.

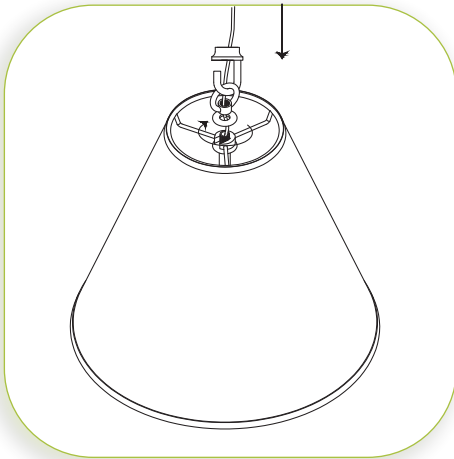
## INSTALLATION INSTRUCTIONS



# 2

### INSTALL MOUNTING BAR

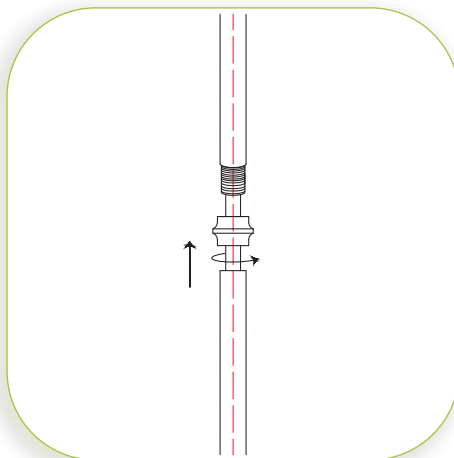
If there is an existing fixture, remove it. Expose the supply wires from the J-box. Remove the mounting bar from the canopy by unscrewing the two screws on the side. Insert supply wires through the mounting bar. Secure mounting bar using two Phillips head screws provided. Hand tighten to secure.



# 3

### INSTALL SHADE TO FIXTURE LOOP

Put the wire through the washer and loop. Then install the fixture loop and washer onto the top of shade assembly. Then hook the fixture loop onto the bottom rod hook.



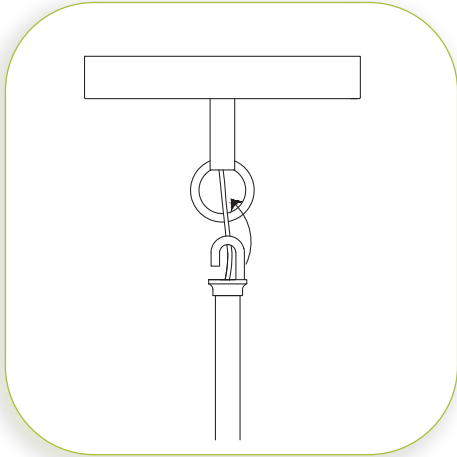
# 4

### INSTALL LAMP RODS

**Warning: Do not cross thread the rods or force them together. This will cause damage to the threading.** Begin by threading the 6" rod onto the hook. Insert the wire through the hook and rod. Then hook onto the fixture loop on top of shade. Continue assembling the rods, inserting a decorative coupler between the 6" sections.

**\*\*Additional rod and coupler sets are available for purchase if needed.**

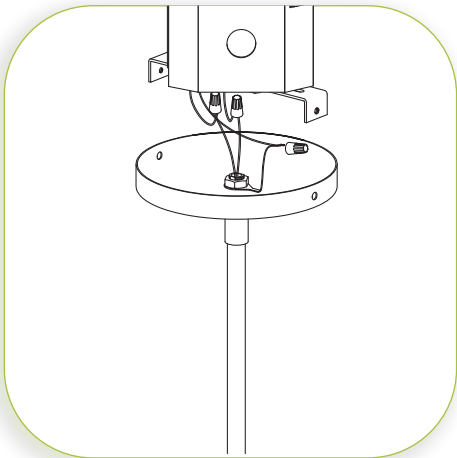
## INSTALLATION INSTRUCTIONS



5

### INSTALL RODS TO CANOPY HOOK

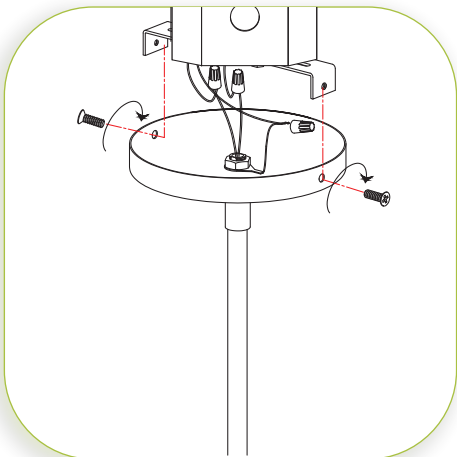
Install the hook on the final rod. Insert the wire through the canopy and hook onto the canopy loop.



6

### MAKE WIRE CONNECTIONS

Connect BLACK fixture wire to the BLACK supply wire and the WHITE fixture wire to the WHITE supply wire. Connect the fixture ground wires to the J-Box ground wire or wrap around one of the protruding screws on the mounting bar. Secure all connections with the supplied wire nuts. Secure all wire connections with electrical tape (not supplied). Tuck all wires carefully into the J-Box.

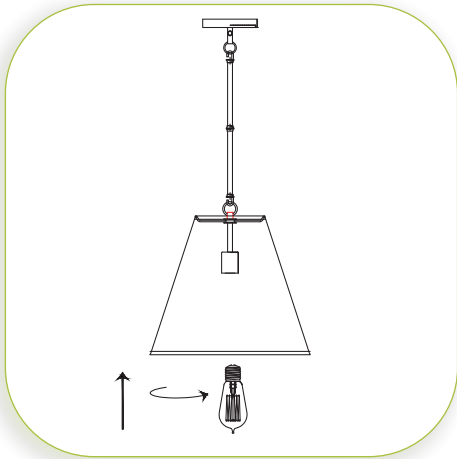


7

### INSTALL FIXTURE TO THE MOUNTING PLATE

Position canopy over the mounting plate. Align the holes on the sides of the mounting plate with the two holes on the sides of the canopy and secure with the supplied screws.

## INSTALLATION INSTRUCTIONS



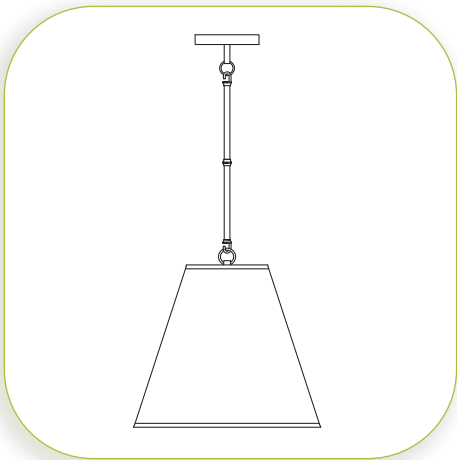
8

### INSTALL THE BULB

Insert the bulb.

MAXIMUM WATTAGE 60W PER SOCKET.

**DO NOT EXCEED THE WATTAGE AS STATED ON THE WARNING LABEL.**



9

### RESTORE THE ELECTRICITY AND CHECK THE OPERATION OF YOUR NEW FIXTURE

**CAUTION**

Please ensure that the fitting is cool and switched off before replacing the bulb. DO NOT use bulbs that might exceed the maximum wattage, stated on caution label.

### DIMMER NOTE

Note: For the best lighting experience, we recommend using a dimmer. Not only does this allow you to create a great ambiance, it allows for energy savings and extends the life of the bulbs.