

INSTALLATION INSTRUCTIONS



IMPORTANT

Before installing your Lights.com fixture, please make sure that you carefully read through these instruction sheets. Consider having your fixture installed by a qualified licensed electrician.

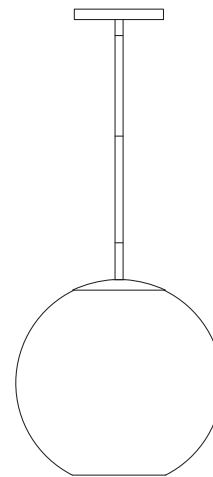
NOTE: The important safeguards and instructions that appear in this manual are not meant to cover all possible conditions and situations that may occur. It must be understood that common sense, caution and care, are factors that can't be built into any product. This approach must be used by the person(s) caring for and operating the fixture.

GENERAL INFORMATION

All electrical connections must be made in accordance with all ordinances, local and national electrical codes. These fixtures are intended for mounting to a standard 4" junction box. The box must be directly supported by the building structure and be ETL or U.L. Recognized.

STEP BY STEP INSTRUCTIONS

Before starting your installation disconnect the power by turning off the circuit breaker or by removing the fuse at the fuse box. **Just turning the light off at the light switch is not sufficient to prevent electrical shock.**



COLLECTION

Aria

APPLICATION

Pendant

MODEL NO.

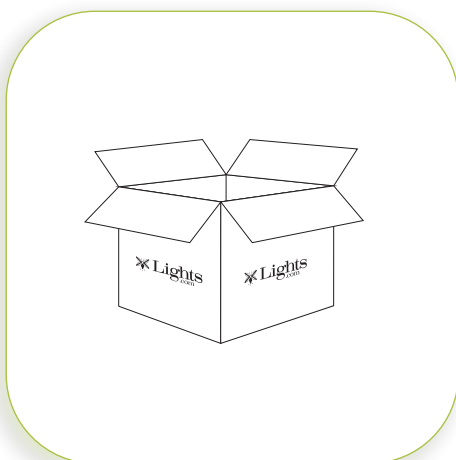
LC005022	LC005023	LC005025	LC005088	LC005090
LC005091	LC005093	LC005094	LC005095	LC005175

WHAT WE PROVIDE

- Aria Round Glass Pendant
- Mounting & Wiring Hardware
- Canopy Kit
- 1 x 6" Rod
- 2 x 12" Rods
- 1 x 18" Rod

WHAT YOU NEED

- Phillips Head Screwdriver
- Wire Cutters
- Wiring Supplies as Specified by Electrical Code
- 1 x 60W E26 Bulb

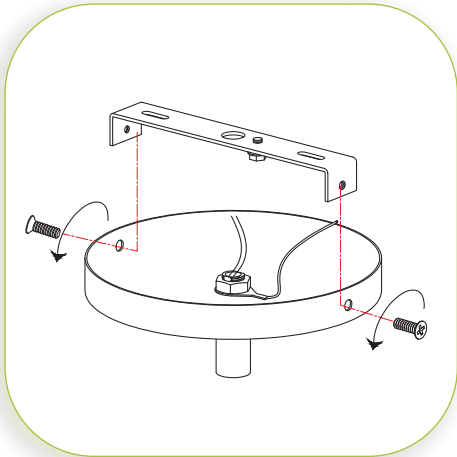


1

UNPACK YOUR FIXTURE

Carefully set aside all parts and pieces.

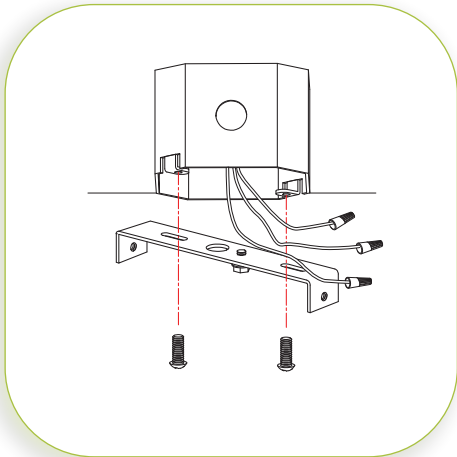
INSTALLATION INSTRUCTIONS



2

PREPARE FIXTURE AND MOUNTING PLATE

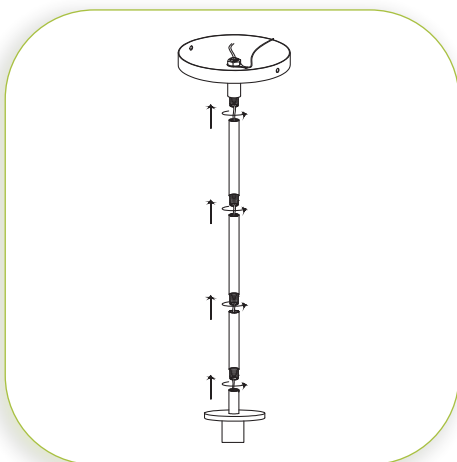
Remove the mounting plate from the canopy by unscrewing the side screws from the canopy.



3

INSTALL MOUNTING PLATE

If there is an existing fixture, remove it. Expose the supply wires from the J-box. Insert supply wires through the mounting plate. Secure mounting plate using two Phillips head screws provided. Hand tighten to secure.

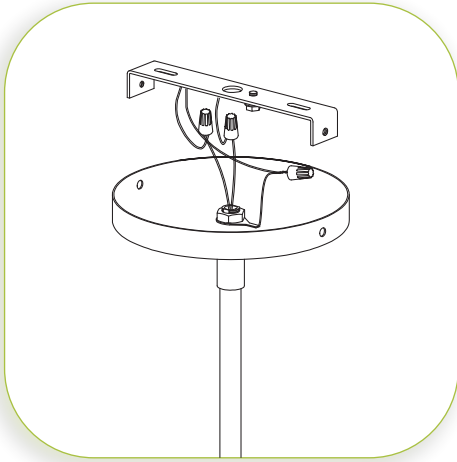


4

DETERMINE HEIGHT

Measure fixture to desired height. Please note this must be done in 6" increments. Once determined, connect the rods one by one to the top of the pendant. Once rods are connected, thread included sloped ceiling adapter and canopy onto the top of the rods. Cut power supply leaving at least 12-18" above, for minor adjustments.

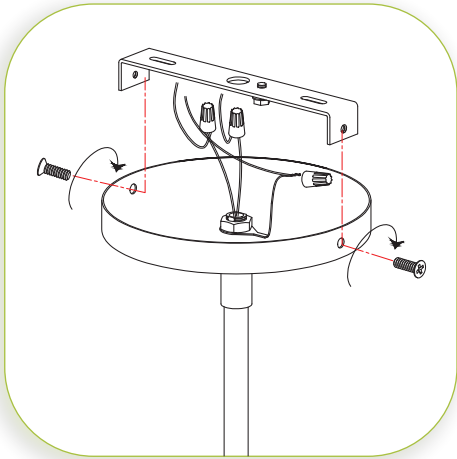
INSTALLATION INSTRUCTIONS



5

MAKE WIRE CONNECTIONS

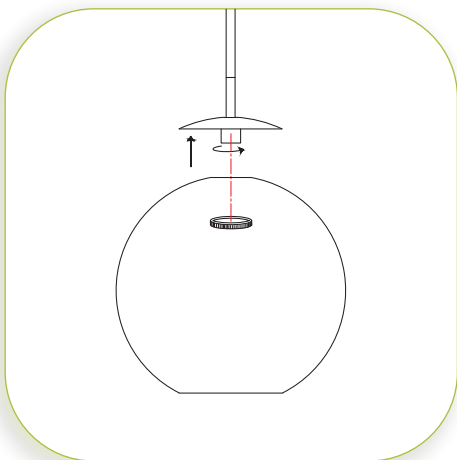
Connect BLACK fixture wire to the BLACK supply wire and WHITE fixture wire to the WHITE supply wire. Connect the fixture GROUND wire to the J-Box GROUND wire. Secure all connections with the supplied wire nuts, secure all wire connections with electrical tape (not supplied). Tuck all wires carefully into the J-Box.



6

INSTALL FIXTURE TO THE MOUNTING PLATE

Position canopy over the mounting plate. Align the holes on the sides of the mounting plate with the two holes on the sides of the canopy and secure with the supplied screws.



7

INSTALL GLASS SHADE

Remove the socket ring from the socket. Install glass shade onto the socket and secure in place with socket ring.

INSTALLATION INSTRUCTIONS



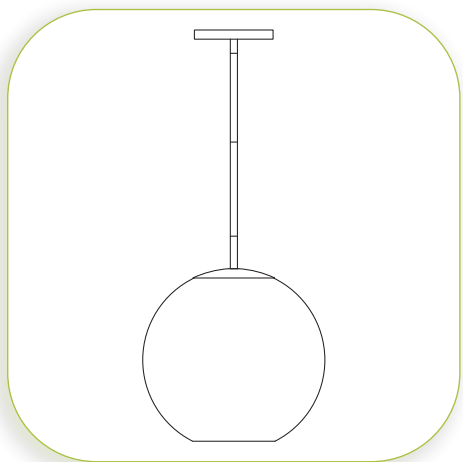
8

INSTALL THE BULB

Insert the bulb.

MAXIMUM WATTAGE 60W PER SOCKET.

DO NOT EXCEED THE WATTAGE AS STATED ON THE WARNING LABEL.



9

RESTORE THE ELECTRICITY AND CHECK THE OPERATION OF YOUR NEW FIXTURE

DIMMER NOTE

For the best lighting experience, we recommend using a dimmer. Not only does this allow you to create a great ambiance, it allows for energy savings and extends the life of the bulbs.