

# INSTALLATION INSTRUCTIONS



## IMPORTANT

Before opening your Lights.com fixture, please make sure that you carefully read through these instruction sheets. Consider having your fixture installed by a qualified licensed electrician.

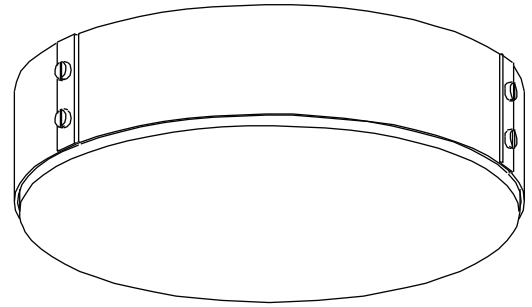
**NOTE:** The important safeguards and instructions that appear in this manual are not meant to cover all possible conditions and situations that may occur. It must be understood that common sense, caution and care, are factors that can't be built into any product. This approach must be used by the person(s) caring for and operating the fixture.

## GENERAL INFORMATION

All electrical connections must be made in accordance with all ordinances, and local and national electrical codes. These fixtures are intended for mounting to a standard 4" junction box. The box must be directly supported by the building structure and be ETL or U.L. Recognized.

## STEP BY STEP INSTRUCTIONS

Before starting your installation, disconnect the power by turning off the circuit breaker or by removing the fuse at the fuse box. **Just turning the light off at the light switch is not sufficient to prevent electrical shock.**



## COLLECTION

Oscar

## APPLICATION

Flush Mount

## MODEL NO.

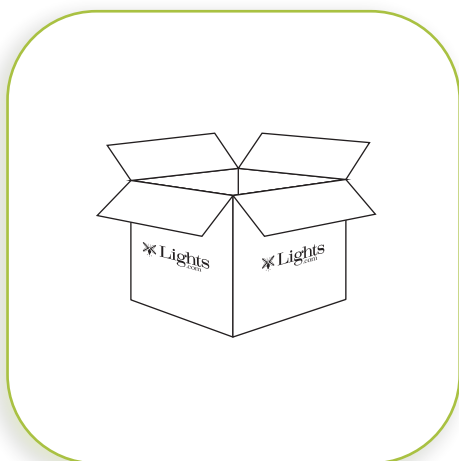
LC005439

## WHAT WE PROVIDE

- Mounting & Wiring Hardware
- Flush Mount with Integrated LED Module
- 1 x Glass Diffuser

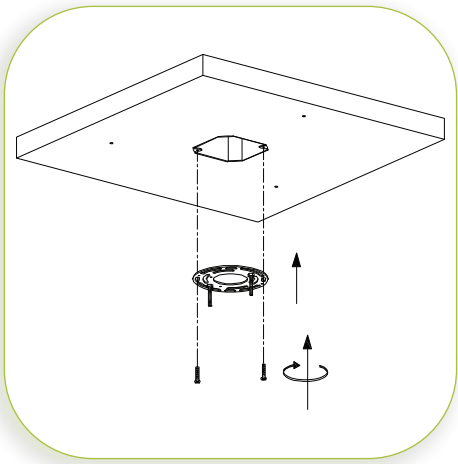
## WHAT YOU NEED

- Phillips Screwdriver
- Wire Cutters
- Wiring Supplies as Specified by Electrical Code
- Electrical Tape



# 1

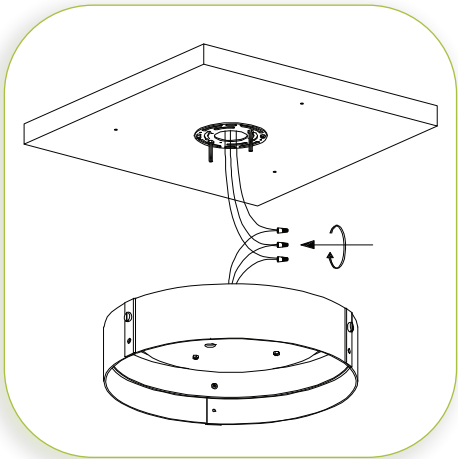
## UNPACK YOUR FIXTURE



# 2

## INSTALL MOUNTING PLATE

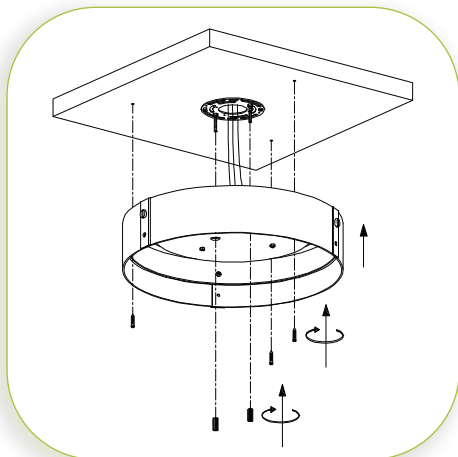
Install mounting plate to J-box with two Phillips head screws. Remove barrel nuts from fixture mounting screws. If mounting to a ceiling structure with anchors is desired, slide the fixture up onto the mounting screws while marking the ceiling anchor location with a pencil through the 3 holes on the outer edge of the pan. Remove fixture and install ceiling anchors at the marked locations.



# 3

## PREPARE WIRES

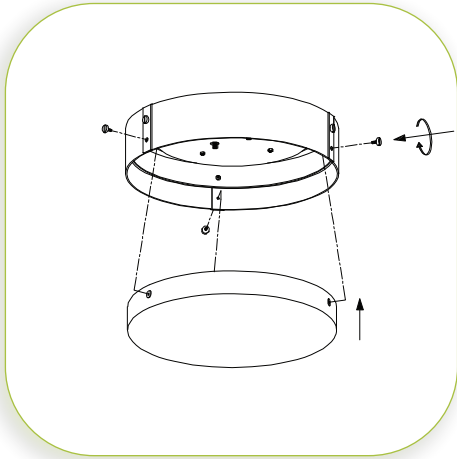
Expose the supply wires from the J-box and make wire connections using the supplied wire connectors. Connect BLACK supply wire to BLACK fixture wire, WHITE supply wire to WHITE fixture wire, and GREEN ground wire to COPPER supply ground wire. Fit all wire connections and access wire inside of the J-Box.



# 4

## MOUNT FIXTURE

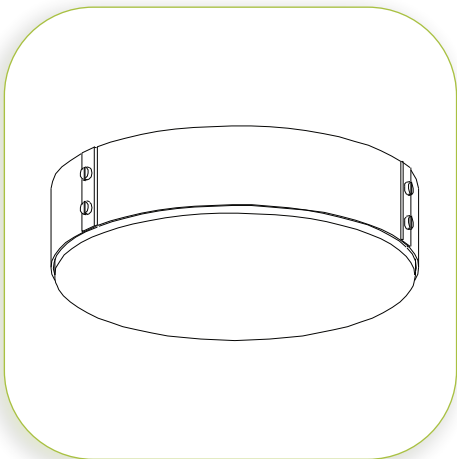
Lift fixture up and onto the fixture mounting screws allowing the screws to stick down through the pan and clear glass lens, while securing in place with the barrel knobs. If desired, install screws through holes in the outside edge of the fixture into anchors installed from Step 2.



5

### INSTALL DIFFUSER

Align glass diffuser with holes on the side of the fixture and secure in place with large decorative thumb screws, threading through the pan and through the small holes in the glass diffuser.



6

### RESTORE THE ELECTRICITY AND CHECK THE OPERATION OF YOUR NEW FIXTURE



### DIMMER NOTE

For the best lighting experience, we recommend using a dimmer. Not only does this allow you to create a great ambiance, it allows for energy savings and extends the life of the LEDs.