

INSTALLATION INSTRUCTIONS



IMPORTANT

Before installing your Lights.com fixture, please make sure that you carefully read through these instruction sheets. Consider having your fixture installed by a qualified licensed electrician.

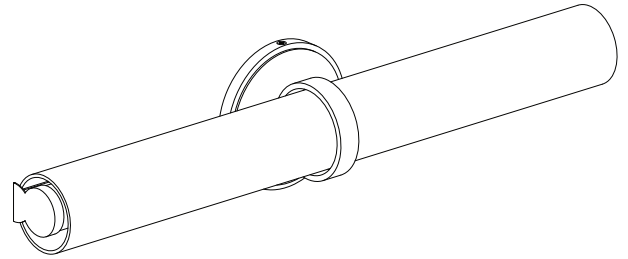
NOTE: The important safeguards and instructions that appear in this manual are not meant to cover all possible conditions and situations that may occur. It must be understood that common sense, caution and care, are factors that can't be built into any product. This approach must be used by the person(s) caring for and operating the fixture.

GENERAL INFORMATION

All electrical connections must be made in accordance with all ordinances, and Local and National Electrical Codes. These fixtures are intended for mounting to a standard 4" junction box. The box must be directly supported by the building structure and be ETL or U.L. Recognized.

STEP BY STEP INSTRUCTIONS

Before starting your installation, disconnect the power by turning off the circuit breaker or by removing the fuse at the fuse box. **Just turning the light off at the light switch is not sufficient to prevent electrical shock.**



COLLECTION

Ellie

APPLICATION

Vanity Light

MODEL NO.

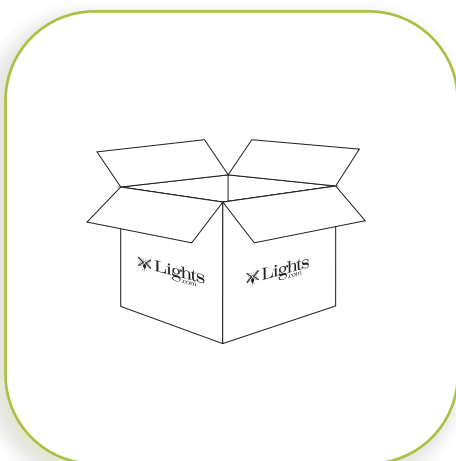
LC005430
LC005431
LC005432

WHAT WE PROVIDE

- Integrated LED fixture
- Mounting & Wiring Hardware
- 2 x Glass Shades
- 2 x End Caps

WHAT YOU NEED

- Phillips head Screwdriver
- Wire Cutters
- Wiring Supplies as Specified by Electrical Code
- Electrical Tape

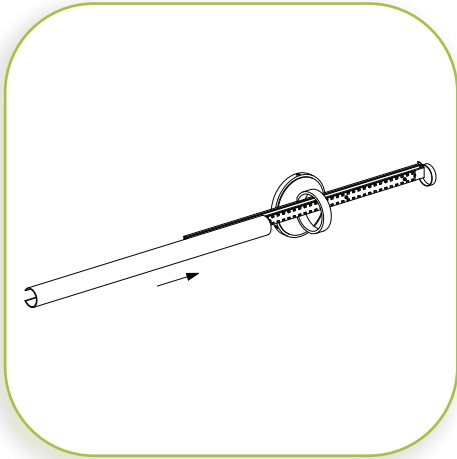


1

UNPACK YOUR FIXTURE

Carefully set aside all parts and pieces.

INSTALLATION INSTRUCTIONS



2

INSTALL THE WHITE GLASS

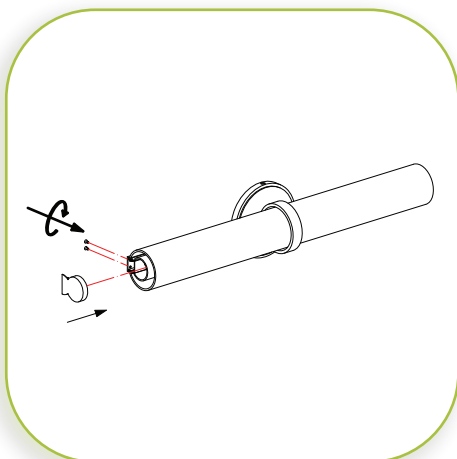
Slide the inner white glass over the LED strip, along the channels, starting at one end through to the opposite end cap.



3

INSTALL CLEAR GLASS

Slide the outer clear glass over white glass, along the channels, starting at one end through to the opposite end cap.

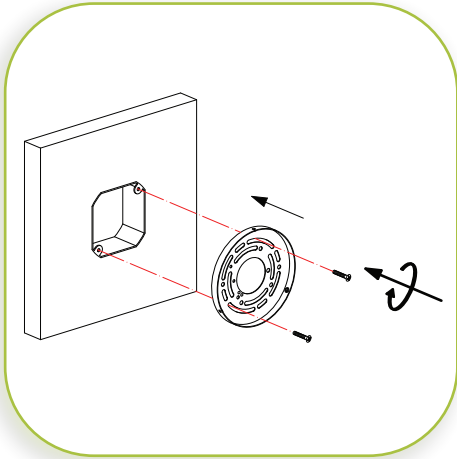


4

SECURE GLASS IN PLACE

Secure the end cap to the open end, using the screws provided.

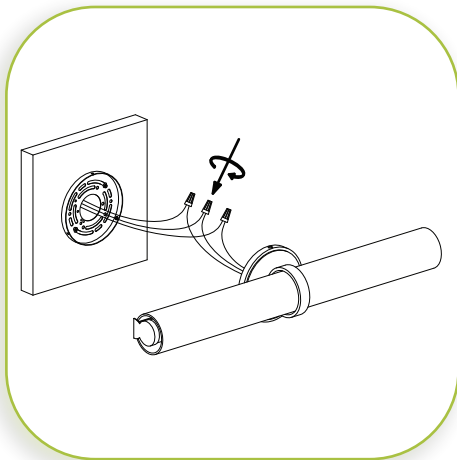
INSTALLATION INSTRUCTIONS



5

INSTALL THE MOUNTING PLATE

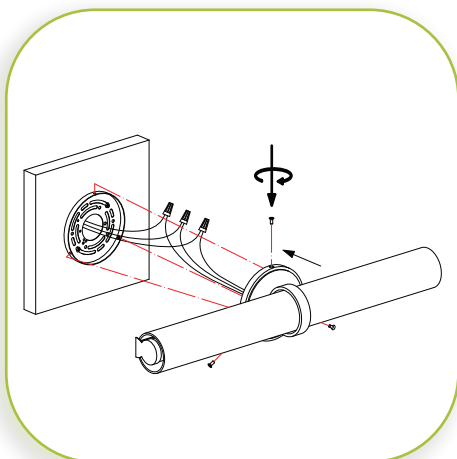
If there is an existing fixture, remove it. Expose the supply wires from the J-Box. Insert supply wires through the mounting plate. Secure the mounting plate using the Phillips head screws provided. Tighten to secure.



6

MAKE WIRE CONNECTIONS

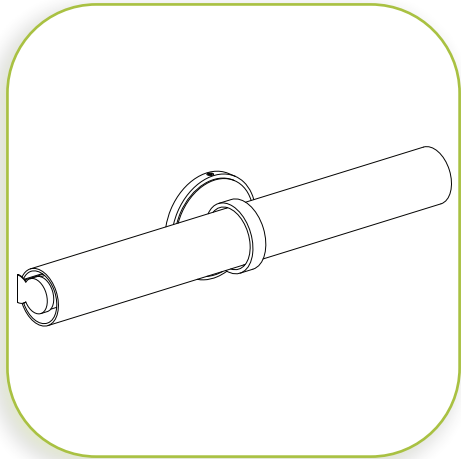
Connect BLACK fixture wire to the BLACK supply wire and WHITE fixture wire to the WHITE supply wire. Connect the fixture GROUND wire to the J-Box GROUND wire or wrap around one of the protruding screws on the mounting plate. Secure all connections with the supplied wire nuts and electrical tape (not supplied).



7

CONNECT FIXTURE TO MOUNTING PLATE

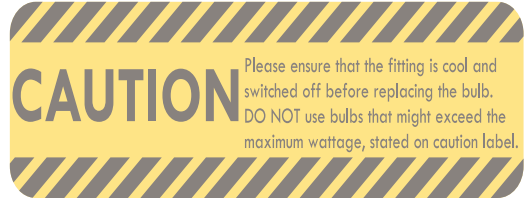
Position the fixture body over the mounting plate and secure using the 3 screws.



8

DIMMER NOTE

RESTORE THE ELECTRICITY AND CHECK THE OPERATION OF YOUR NEW FIXTURE



For the best lighting experience, we recommend using a dimmer. Not only does this allow you to create a great ambiance, it allows for energy savings and extends the life of the bulbs.