



IMPORTANT

Before using your Advent Calendar, please make sure that you carefully read through these instruction sheets.

NOTE: The important safeguards and instructions that appear in this manual are not meant to cover all possible conditions and situations that may occur. It must be understood that common sense, caution and care are factors that can't be built into any product. This approach must be used by the person(s) caring for and operating the calendar.

GENERAL INFORMATION

Each drawer will hold a small gift, up to 1" x 1" x 1.25".

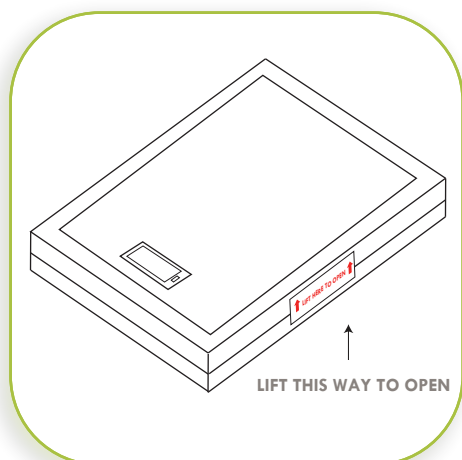
Battery installation should only be performed by an adult. Only batteries of the same or equivalent type as recommended should be used. Battery leakage can cause corrosion and damage to this product so please remove non-functioning batteries immediately. Remove the batteries from product during long periods of non-use.

DO NOT DISPOSE OF IN FIRE. Please dispose at your local recycling facility.

STEP BY STEP INSTRUCTIONS

Do not open before reading through the instruction sheets.

Lay the product flat, cover-side down, with the battery compartment facing up, and open this way. This will prevent the drawers from falling out when opening.



1

WHAT WE PROVIDE

- 1 x Pre-Lit LED Fold Out Advent Calendar with Drawers

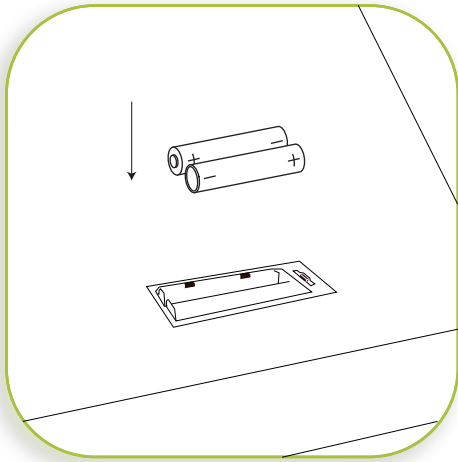
WHAT YOU WILL NEED

- 2 x AAA Batteries



OPENING BOX

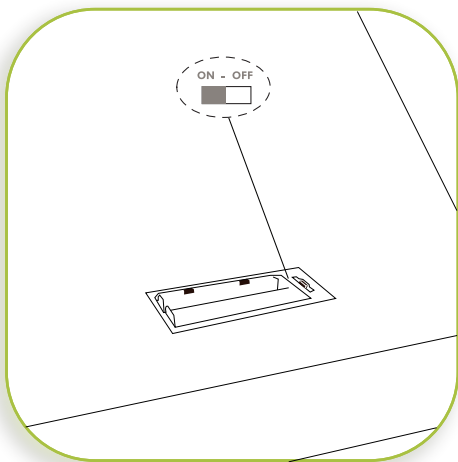
To prevent drawers from falling out upon opening, make sure to open with the battery side of the book facing up.



2

BATTERY INSTALLATION

You will need 2 AAA batteries (not included). Open the battery compartment on the back of the house, and install the batteries. Replace the battery cover.



3

SWITCH OPTIONS

The on/off switch is located at the back of the advent calendar. Switching to the "ON" position will automatically set the timer and the lights will remain on for 6 hours. They will turn on and off at the same time each day once set, until the batteries need to be replaced or until the switch is moved to the "OFF" position. To maximize battery life, manually turn off the calendar at the switch during long periods of non-use.



4

DRAWER USAGE

Use the finger slots to open & close the drawers. Please note the drawers are not attached and can easily be removed to insert gift.