

## INSTRUCTIONS



### IMPORTANT

Before using your Ryder Solar Flameless Lantern, please make sure that you carefully read through these instruction sheets.

**NOTE:** The important safeguards and instructions that appear in this manual are not meant to cover all possible conditions and situations that may occur. It must be understood that common sense, caution and care are factors that can't be built into any product. This approach must be used by the person(s) caring for and operating the lantern.

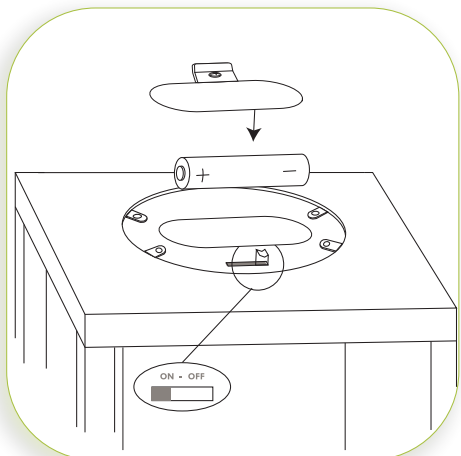
### GENERAL INFORMATION

Battery installation should only be performed by an adult. Only batteries of the same or equivalent type as recommended should be used. Battery leakage can cause corrosion and damage to this product so please remove non-functioning batteries immediately. Remove the batteries from product during long periods of non-use.

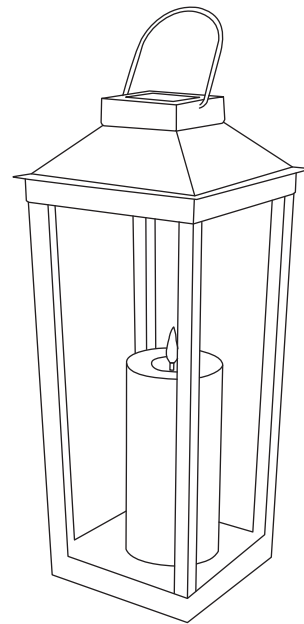
DO NOT DISPOSE OF IN FIRE. Please dispose at your local recycling facility.

### STEP BY STEP INSTRUCTIONS

Before turning on the lantern, **locate the battery on the inside of the styrofoam packaging.** Remove the plastic from around the battery.



# 1



### MODEL NO.

- LC005099

### WHAT WE PROVIDE

- 1 x Ryder Solar Flameless Lantern
- 1 x AA Ni-MH (600mAh) Rechargeable Battery

### WHAT YOU NEED

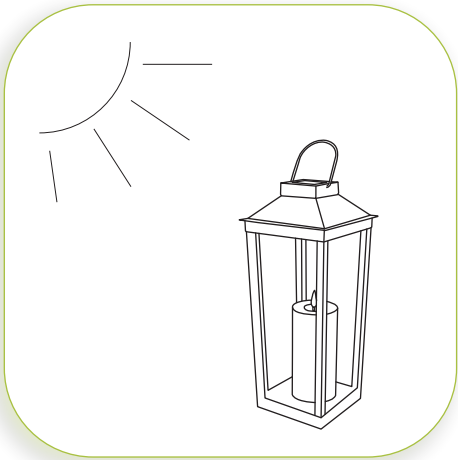
- Phillips Screwdriver

### INSTALL BATTERY

Unscrew the battery box cover prior to installing your battery. Locate your battery and insert into the battery compartment. Reattach the battery box cover with the included screw to secure the battery in place, and effectively ensure the battery box remains waterproof.

Please note, the switch must be in the ON position in order for the battery to receive the solar charge.

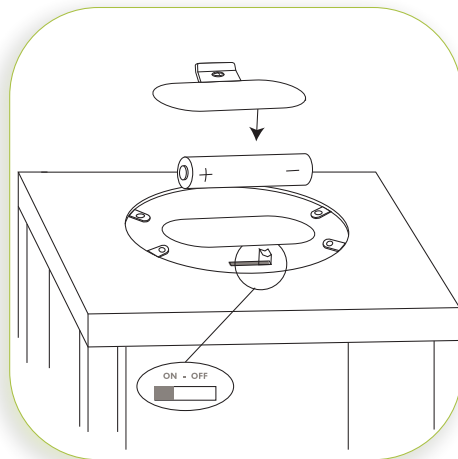
## INSTRUCTIONS



# 2

### SOLAR CHARGING

Make sure that the switch on the bottom of the candle is turned to “ON”. Maximum sunlight will give the internal battery the best charge and give you the best results. Position the solar lantern out in the open, where it is free from any cover or shade. Avoid proximity to other light sources, which may cause the solar lantern to flicker. The solar lantern will not be very bright or long lasting, until the battery is fully charged. **NOTE:** You may charge the battery in a battery charger, or charge with the solar panel. When using the solar panel be sure that the battery receives a full day’s worth of sunlight before use.



# 3

### BATTERY REPLACEMENT

The battery may need replacement every 1-2 years depending on the operating conditions. When installing a new battery be sure to insert the battery with the correct polarity as indicated (+/-) and battery compartment secured before use.

### TROUBLESHOOTING

Solar lanterns **not operating properly** at night may be caused by one of the following conditions:

- The switch may not be in the “ON” position. Ensure that the switch is in the “ON” position.
- Low light levels during the day, caused by the position in which the light is placed, weather conditions, or lack of sunlight, will shorten the solar lantern’s operating time at night.
- If the solar panel surface is dirty, the charging ability will be reduced. Clean the surface occasionally with a damp cloth.
- The batteries might need to be replaced. In the event they do need replacing, see “BATTERY REPLACEMENT” above.
- Please note that the solar lanterns will not function in the daytime or in a brightly lit environment.