

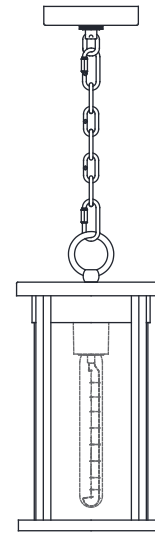
# INSTALLATION INSTRUCTIONS



## IMPORTANT

Before installing your Lights.com fixture, please make sure that you carefully read through these instruction sheets. Consider having your fixture installed by a qualified licensed electrician.

**NOTE:** The important safeguards and instructions that appear in this manual are not meant to cover all possible conditions and situations that may occur. It must be understood that common sense, caution and care, are factors that can't be built into any product. This approach must be used by the person(s) caring for and operating the fixture.



## COLLECTION

Cyrus

## APPLICATION

Outdoor Hanging Light

## MODEL NO.

LC005372

## GENERAL INFORMATION

All electrical connections must be made in accordance with all ordinances, and Local and National Electrical Codes. These fixtures are intended for mounting to a standard 4" junction box. The box must be directly supported by the building structure and be ETL or U.L. Recognized.

## STEP BY STEP INSTRUCTIONS

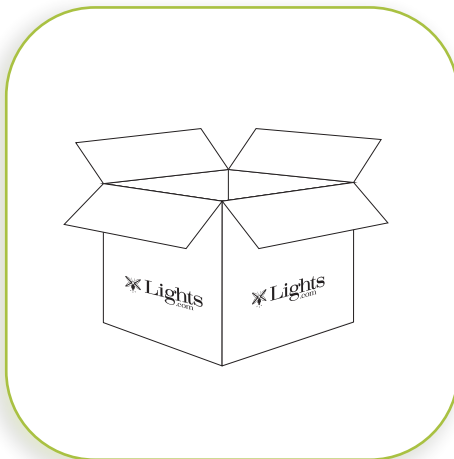
Before starting your installation, disconnect the power by turning off the circuit breaker or by removing the fuse at the fuse box. **Just turning the light off at the light switch is not sufficient to prevent electrical shock.**

## WHAT WE PROVIDE

- Hanging Light
- Mounting & Wiring Hardware
- 1 Glass shade
- 6 Ft. Chain
- Canopy & Fixture Loop w/Collar Ring

## WHAT YOU NEED

- Phillips head Screwdriver
- Wire Cutters
- Wiring Supplies as Specified by Electrical Code
- Electrical Tape
- 1 x 100W E26 bulb



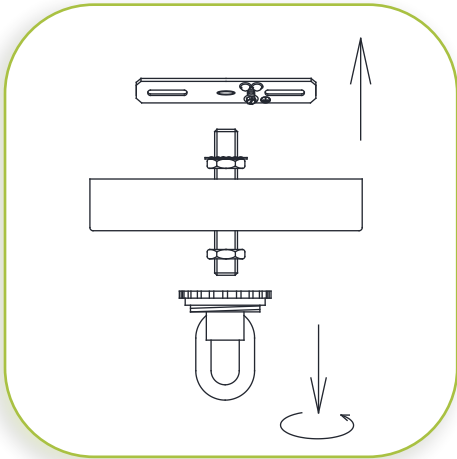
# 1

## UNPACK YOUR FIXTURE

Carefully set aside all parts and pieces.

## INSTALLATION INSTRUCTIONS

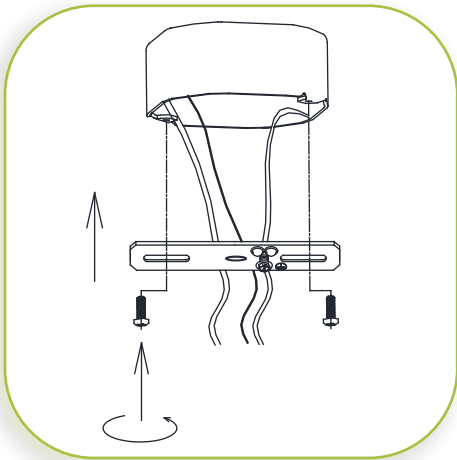
---



# 2

### PREPARE MOUNTING BAR

Remove the mounting bar from the canopy by removing the screw collar loop.



# 3

### INSTALL THE MOUNTING BAR

If there is an existing fixture, remove it. Expose the supply wires from the J-Box. Insert supply wires through the mounting bar. Secure the mounting bar using the two phillips head screws provided. Tighten to secure.

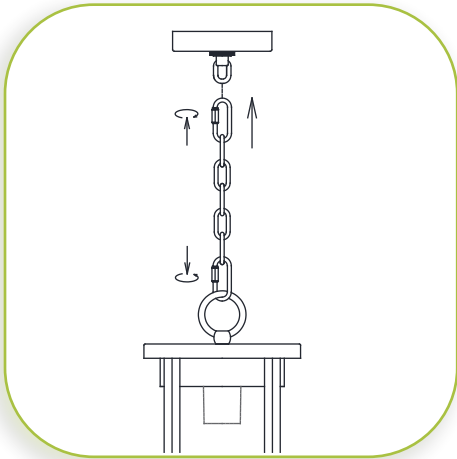


# 4

### INSTALL SCREW COLLAR LOOP

Attach screw collar loop onto the threaded nipple that is attached to the mounting bar.

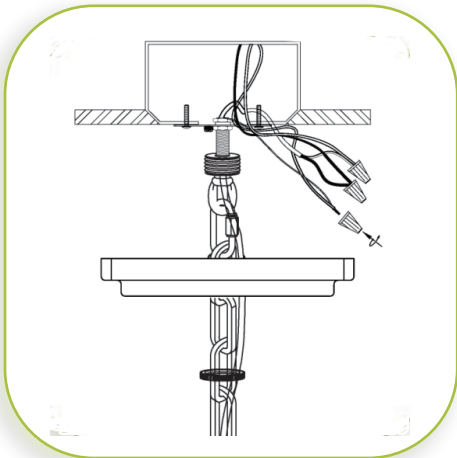
## INSTALLATION INSTRUCTIONS



# 5

### DETERMINE HEIGHT

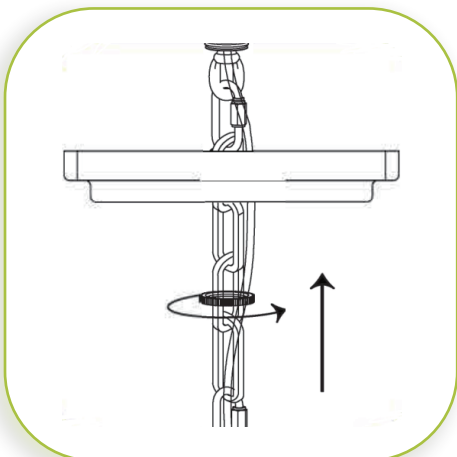
Measure fixture to desired height. Attach the chain link that you have decided will be the upper link to the top adjustable chain link. Slide the screw collar ring and canopy, in that order, over the chain. Attach the top adjustable chain link to the screw collar loop and the bottom adjustable chain link to the fixture loop. Then, close adjustable chain links. Push the fixture wires through the center of the screw collar ring, canopy, and screw collar loop, up through the threaded nipple. Cut power supply cord leaving at least 12" to 18" above the canopy for minor adjustments



# 6

### MAKE WIRE CONNECTIONS

Connect BLACK fixture wire to the BLACK supply wire and WHITE fixture wire to the WHITE supply wire. Connect the fixture GROUND wire to the J-Box GROUND wire. Secure all connections with the supplied wire nuts and electrical tape (not supplied). Tuck all wires carefully into the J-Box.

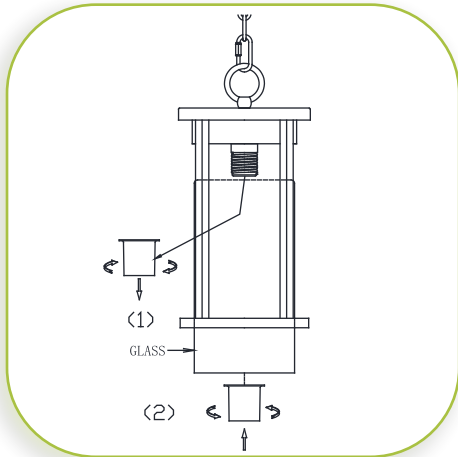


# 7

### INSTALL CANOPY

Raise the canopy against the ceiling and install the screw collar ring to the screw collar loop. Tighten to secure.  
Note: Canopy must be held flush with the ceiling and completely cover the junction box.

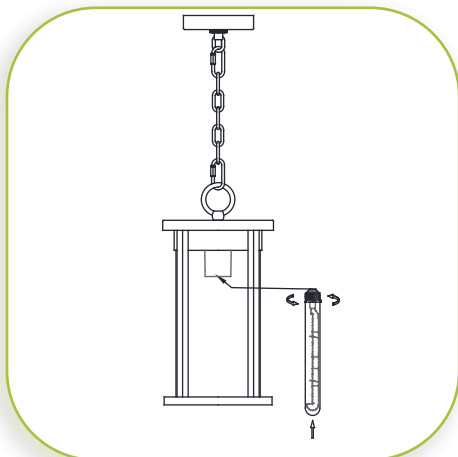
## INSTALLATION INSTRUCTIONS



# 8

### INSTALL GLASS

- (1) Remove the socket cup from the fixture.
- (2) Push up the GLASS, then use the socket cup to lock up the GLASS and fixture.

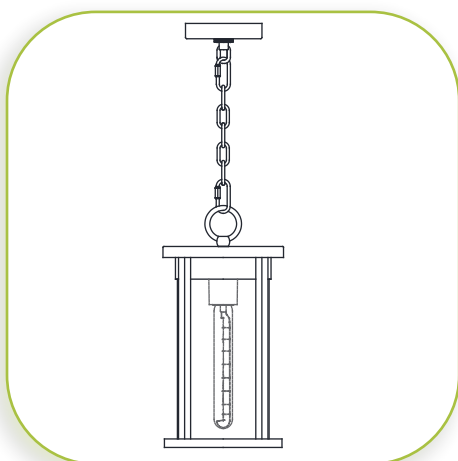


# 9

### INSTALL BULB

Install your E26 100W Max bulb.

**MAXIMUM WATTAGE 100W. DO NOT EXCEED THE WATTAGE AS STATED ON THE WARNING LABEL.**



# 10

### RESTORE THE ELECTRICITY AND CHECK THE OPERATION OF YOUR NEW FIXTURE

**CAUTION**

Please ensure that the fitting is cool and switched off before replacing the bulb. DO NOT use bulbs that might exceed the maximum wattage, stated on caution label.

### DIMMER NOTE

For the best lighting experience, we recommend using a dimmer. Not only does this allow you to create a great ambiance, it allows for energy savings and extends the life of the bulbs.