

INSTALLATION INSTRUCTIONS



IMPORTANT

Before installing your Lights.com fixture, please make sure that you carefully read through these instruction sheets. Consider having your fixture installed by a qualified licensed electrician.

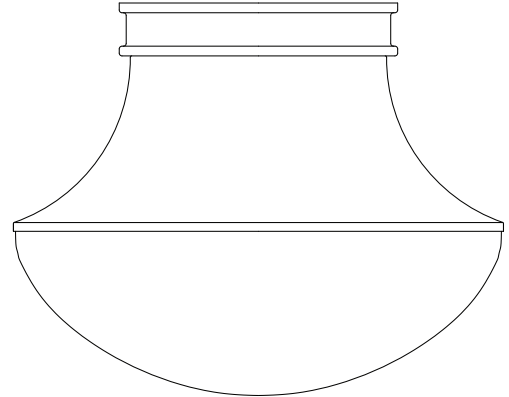
NOTE: The important safeguards and instructions that appear in this manual are not meant to cover all possible conditions and situations that may occur. It must be understood that common sense, caution and care, are factors that can't be built into any product. This approach must be used by the person(s) caring for and operating the fixture.

GENERAL INFORMATION

All electrical connections must be made in accordance with all ordinances, and Local and National Electrical Codes. This fixture is intended for mounting to a standard 4" junction box. The box must be directly supported by the building structure and be ETL or U.L. Recognized.

STEP BY STEP INSTRUCTIONS

Before starting your installation, disconnect the power by turning off the circuit breaker or by removing the fuse at the fuse box. **Just turning the light off at the light switch is not sufficient to prevent electrical shock.**



COLLECTION

Jayden

APPLICATION

Flush Mount

MODEL NO.

LC005331

LC005374

WHAT WE PROVIDE

- Jayden Flush Mount
- Glass Shade
- Wire Nuts and Mounting Hardware

WHAT YOU NEED

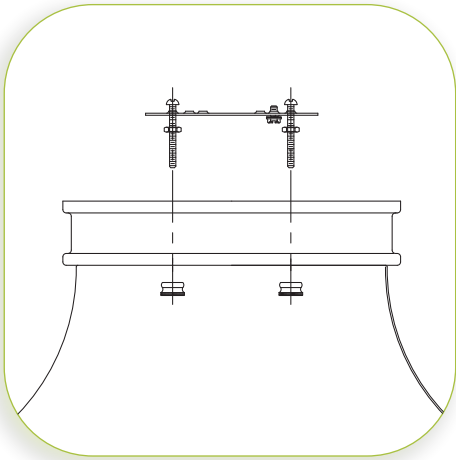
- Phillips Head Screwdriver
- Wire Cutters
- Wiring Supplies as Specified by Electrical Code
- 1 x 60W E26 Bulb



1

UNPACK YOUR FIXTURE

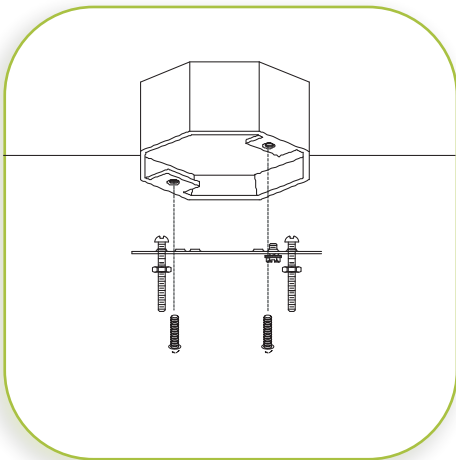
INSTALLATION INSTRUCTIONS



2

PREPARE FIXTURE AND MOUNTING BAR

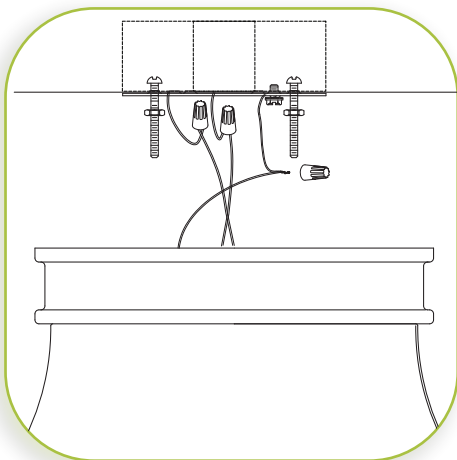
Remove the mounting bar from the canopy by unscrewing the from the canopy.



3

INSTALL MOUNTING BAR

If there is an existing fixture, remove it. Expose the supply wires from the J-box. Insert supply wires through the mounting bar. Secure mounting bar using two Phillips head screws provided. Hand tighten to secure.

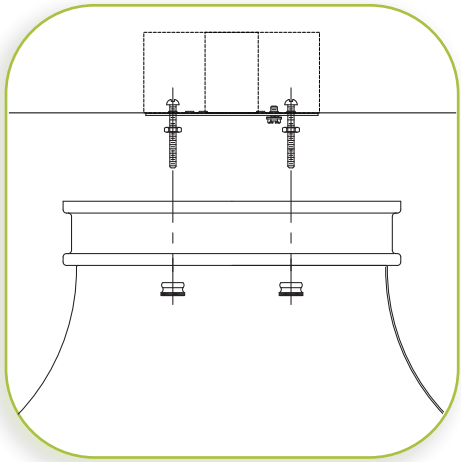


4

MAKE WIRE CONNECTIONS

Connect the BLACK supply wire to the BLACK fixture wire and WHITE supply wire to the WHITE fixture wire. Secure with the supplied wire nuts. Either wrap the green wire around one of the protruding screws on the mounting plate or connect it to the ground wire. Secure all wires with electrical tape (not supplied). Tuck all wires carefully into the J-Box.

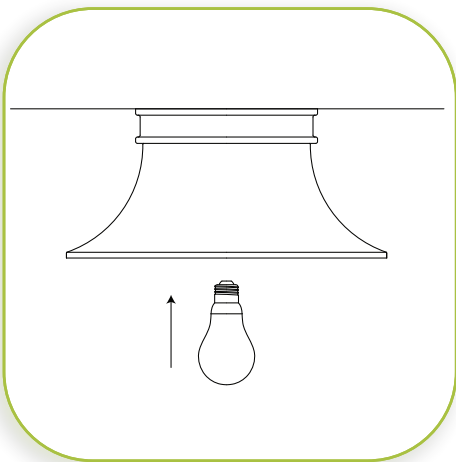
INSTALLATION INSTRUCTIONS



5

MOUNT THE FIXTURE

Align the fixture to the screws protruding from the ceiling. Next, secure the fixture flush against the ceiling using the decorative cap nuts supplied. Hand tighten to secure.



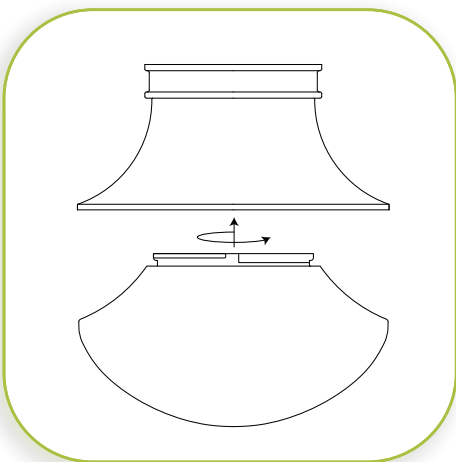
6

INSTALL BULB

Insert the E26 bulb.

MAXIMUM WATTAGE 60W PER SOCKET.

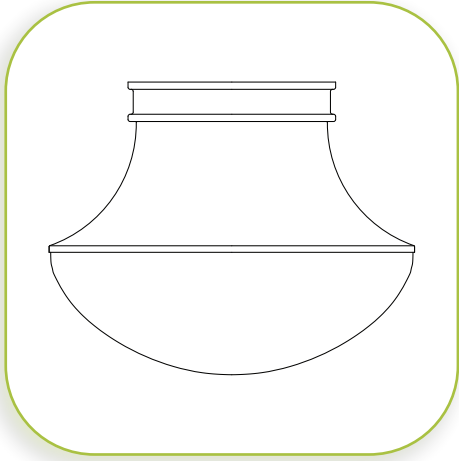
DO NOT EXCEED THE WATTAGE AS STATED ON THE WARNING LABEL.



7

ATTACH THE GLASS SHADE

Line up the collar on the glass shade with the 3 protruding pins outside the socket. Push up and turn clockwise to secure.



8

**RESTORE THE ELECTRICITY AND
CHECK THE OPERATION OF YOUR
NEW FIXTURE**

DIMMER NOTE

Note: For the best lighting experience, we recommend using a dimmer. Not only does this allow you to create a great ambiance, it allows for energy savings and extends the life of the bulbs.