



**IMPORTANT**

Before using your Logan LED Solar Lantern, please make sure that you carefully read through these instruction sheets.

This lantern includes 2 integrated lithium batteries. They can be charged via the included cable and adapter or through the solar panel. The charge will last anywhere from 10-120 hours. This is dependent on the dimmer function. The brighter the light, the shorter the charge. If you choose a dimmer light, the battery charge will last longer.

The lantern is waterproof with an IP rating of IP54, and the power adapter has an IP rating of IP20. While the lantern is suitable for indoor or outdoor use, the adapter and charging cord should not be left outside.

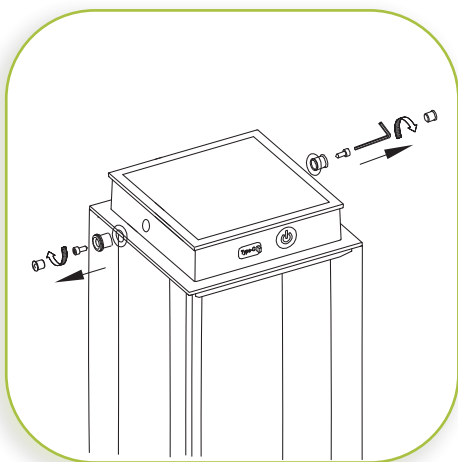
It is NOT advisable to replace the batteries.

**NOTE:** The important safeguards and instructions that appear in this manual are not meant to cover all possible conditions and situations that may occur. It must be understood that common sense, caution and care are factors that can't be built into any product. This approach must be used by the person(s) caring for and operating the lantern.

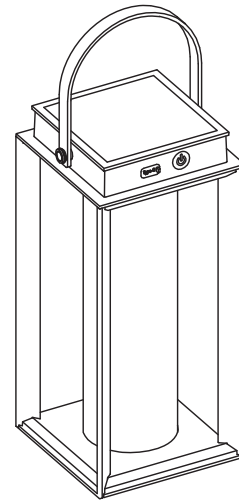
DO NOT DISPOSE OF IN FIRE. Please dispose at your local recycling facility.

**STEP BY STEP INSTRUCTIONS**

Carefully set aside all parts and pieces.

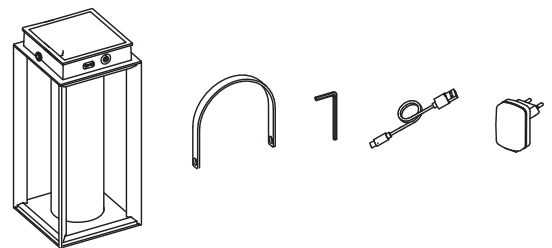


1



**WHAT WE PROVIDE**

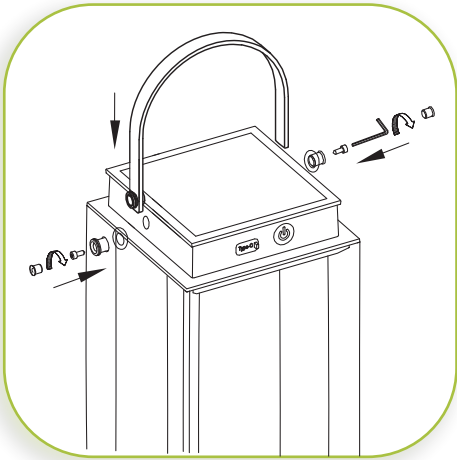
- Solar Lantern
- USB Charging Cable
- Lantern Handle
- Plug-In Adapter
- Allen Key
- Hardware



**PREPARE TO INSTALL THE HANDLE**

Remove the waterproof plugs on both sides of the solar panel casing. Then using the included Allen key, loosen the screws. Remove the screw encasing, and washer.

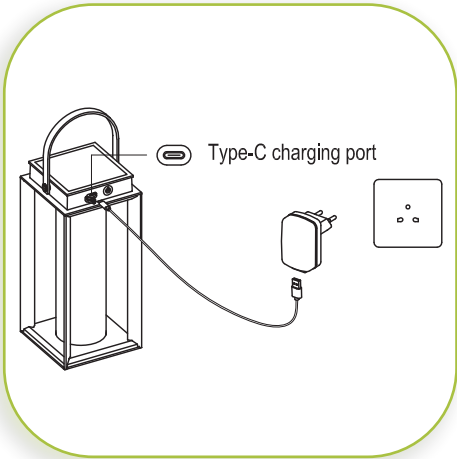
**NOTE:** Remove the pieces carefully. You will need to re-install the plugs and screws to secure the handle back in place.



2

**INSTALL THE HANDLE**

Position the lantern handle and fix in place using the removed washers, screw encasings, and screws, followed by the waterproof plugs.

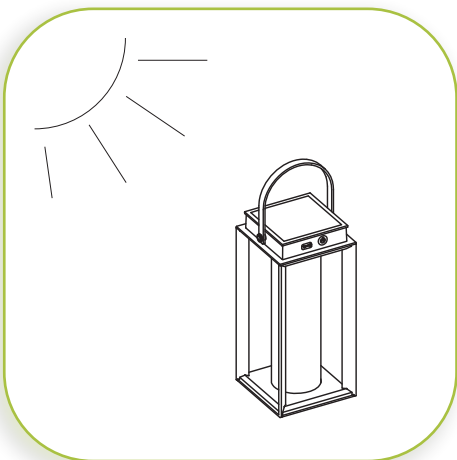


3

**CHARGING WITH THE POWER CORD**

To charge the lantern with the power cord, place your lantern near a power outlet. Connect the USB cable to the lantern and the power adapter, and plug into the nearest power outlet. Disconnect the lantern from the cable once the lantern is fully charged.

**NOTE:** The average charging time using the plug is 5 hours. The green indicator lamp will flash if the lantern is still charging. The green light will be steady when the lantern has been fully charged.



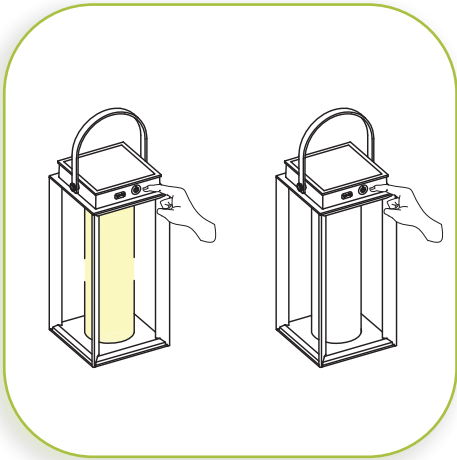
4

**SOLAR CHARGING**

Make sure that the lantern is powered on. Maximum sunlight will give the internal battery the best charge and give you the best results. Position the solar lantern out in the open, where it is free from any cover or shade. Avoid proximity to other light sources, which may cause the solar lantern to flicker. The solar lantern will not be very bright or long lasting, until the battery is fully charged.

**NOTES:**

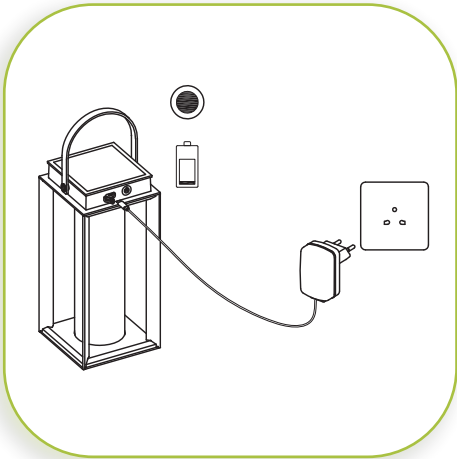
Fully charge the battery using the power cord and adapter before first use. Average solar charging time is 16-17 hours and requires a minimum of 4-6 hours of direct sunlight.



5

**POWER CONTROL**

The power button is on the front edge of the solar panel casing. Lightly press the button to turn the lantern on. Lightly press the button again to turn it off.



6

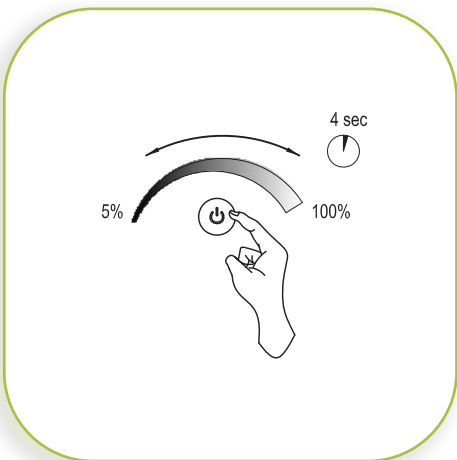
**LOW BATTERY NOTIFICATION**

It is best to charge the battery when the battery level falls below 20%.

Less than or equal to 20% - The orange light will flash 5 times

Less than or equal to 10% - The orange light will flash 5 times

Less than or equal to 5% - The orange light will flash 5 times every 10 minutes



7

**USING THE DIMMER**

This lantern is equipped with a stepless dimmer. To use the dimmer function, make sure the lantern is powered on. Then press and hold the power switch to control the brightness level. Release the switch once you have reached your desired level of brightness.

The lantern will remain at this brightness level until the battery dies or until you change the setting.

## TROUBLESHOOTING

Solar lanterns not operating properly may be caused by one of the following conditions:

- The switch may not be in the “ON” position. Ensure that the switch is in the “ON” position.
- Low light levels during the day, caused by the position in which the light is placed, weather conditions, or lack of sunlight, will shorten the solar lantern’s charge during the day, and shorten the operating time.
- If the solar panel surface is dirty, the charging ability will be reduced. Clean the surface occasionally with a damp cloth.
- Make sure the charging port is sealed when left outside.
- The lantern should be charged in regular intervals to prolong the battery life. If the lantern is not in use, it should be charged every 3 months to avoid damage to the integrated batteries.