

INSTALLATION INSTRUCTIONS



IMPORTANT

Before installing your Lights.com fixture, please make sure that you carefully read through these instruction sheets. Consider having your fixture installed by a qualified licensed electrician.

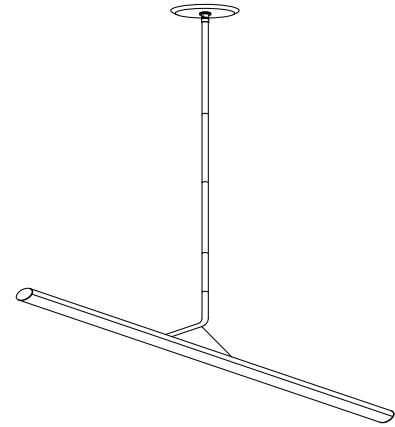
NOTE: The important safeguards and instructions that appear in this manual are not meant to cover all possible conditions and situations that may occur. It must be understood that common sense, caution and care, are factors that can't be built into any product. This approach must be used by the person(s) caring for and operating the fixture.

GENERAL INFORMATION

All electrical connections must be made in accordance with all ordinances, and local and national electrical codes. These fixtures are intended for mounting to a standard 4" junction box. The box must be directly supported by the building structure and be ETL or U.L. recognized.

STEP BY STEP INSTRUCTIONS

Before starting your installation, disconnect the power by turning off the circuit breaker or by removing the fuse at the fuse box. **Just turning the light off at the light switch is not sufficient to prevent electrical shock.**



COLLECTION

Argo

APPLICATION

Pendant

MODEL NO.

LC005271

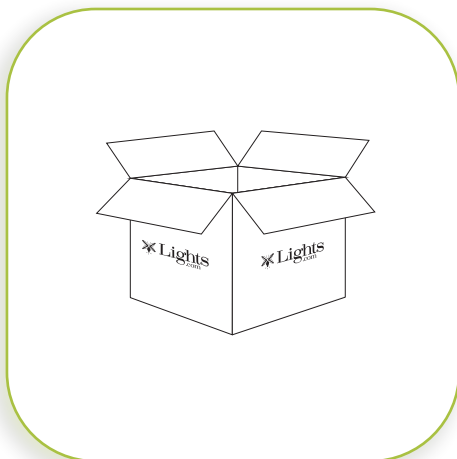
LC005272

WHAT WE PROVIDE

- Mounting & Wiring Hardware
- Canopy Kit
- Pendant
- One 6", Two 12", and One 18" Rods

WHAT YOU NEED

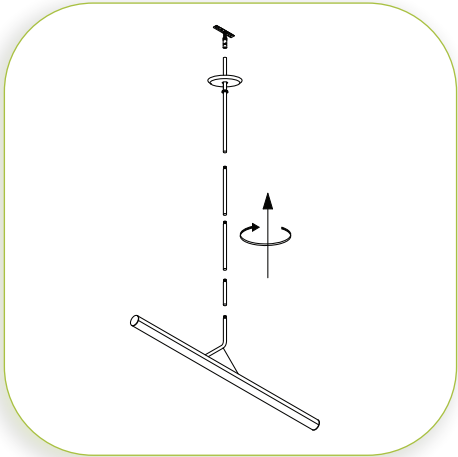
- Phillips Screwdriver
- Wire Cutters
- Wiring Supplies as Specified by Electrical Code
- Electrical Tape



1

UNPACK YOUR FIXTURE

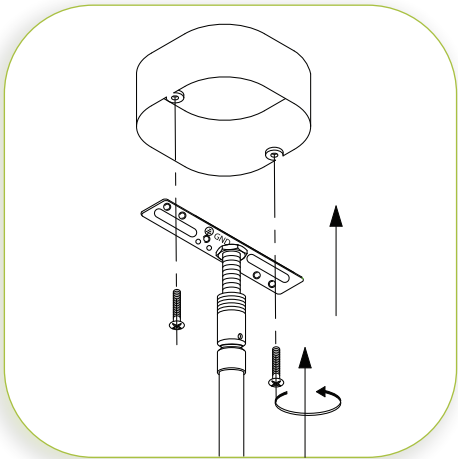
INSTALLATION INSTRUCTIONS



2

DETERMINE HEIGHT

Measure fixture to desired height. Please note this must be done in 6" increments. Once determined, connect the rods one by one to the top of the pendant. Once rods are connected, thread included sloped ceiling adapter and canopy onto the top of the rods. Cut power supply leaving at least 12-18" above, for minor adjustments.



3

INSTALL MOUNTING BAR

If there is an existing fixture, remove it. Expose the supply wires from the J-box. Remove the mounting bar from the canopy by unscrewing the two screws on the side. Insert supply wires through the mounting bar. Secure mounting bar using two Phillips head screws provided. Hand tighten to secure.

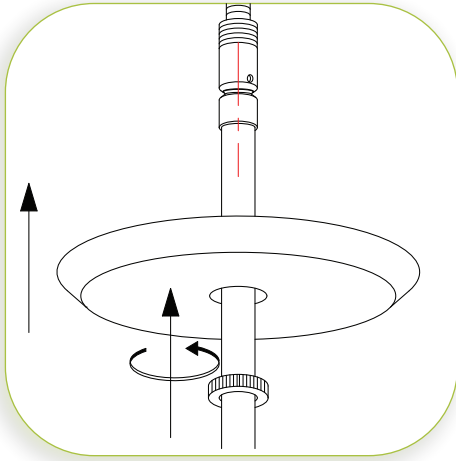


4

MAKE WIRE CONNECTIONS

Connect BLACK fixture wire to the BLACK supply wire and the WHITE fixture wire to the WHITE supply wire. Connect the fixture ground wires to the J-Box ground wire or wrap around one of the protruding screws on the mounting bar. Secure all connections with the supplied wire nuts. Secure all wire connections with electrical tape (not supplied). Tuck all wires carefully into the J-Box.

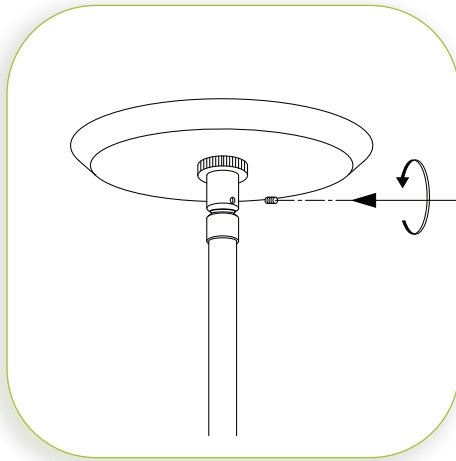
INSTALLATION INSTRUCTIONS



5

INSTALL FIXTURE TO THE MOUNTING BAR

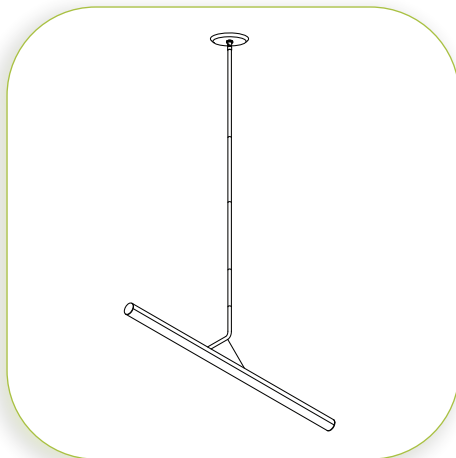
Align the canopy to the swivel protruding from the ceiling.
Next, secure the canopy flush against the ceiling using the knurled ring supplied. Hand tighten to secure.



6

SECURE SWIVEL POSITION

Once the angle of the swivel is in place, use the set screw to lock position. Hand tighten to secure.



7

RESTORE THE ELECTRICITY AND CHECK THE OPERATION OF YOUR NEW FIXTURE

CAUTION

Please ensure that the fitting is cool and switched off before replacing the bulb. DO NOT use bulbs that might exceed the maximum wattage, stated on caution label.

DIMMER NOTE:

For the best lighting experience, we recommend using a dimmer. Not only does this allow you to create a great ambiance, it allows for energy savings and extends the life of the bulbs.