



IMPORTANT

Before using your LampLust Solar Wall Lights, please make sure that you carefully read through these instruction sheets.

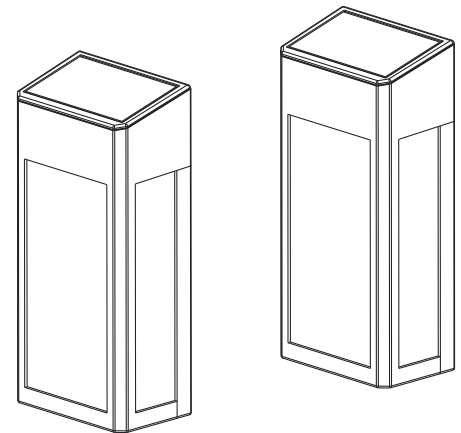
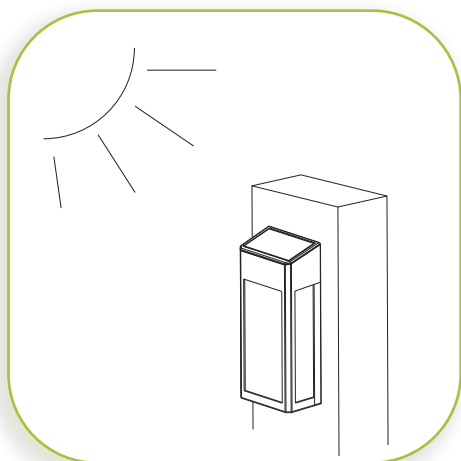
NOTE: The important safeguards and instructions that appear in this manual are not meant to cover all possible conditions and situations that may occur. It must be understood that common sense, caution and care are factors that can't be built into any product. This approach must be used by the person(s) caring for and operating the solar lights.

GENERAL INFORMATION

Battery installation should only be performed by an adult. Only batteries of the same of equivalent type as recommended should be used. Battery leakage can cause corrosion and damage to this product so please remove non-functioning batteries immediately. Remove batteries from product during long periods of non-use. DO NOT DISPOSE OF IN FIRE. Please dispose at your local recycling facility.

STEP BY STEP INSTRUCTIONS

Before operating your solar lights, remove the battery tab from the battery compartment (located inside the structure under the solar panel), thereby activating the batteries.

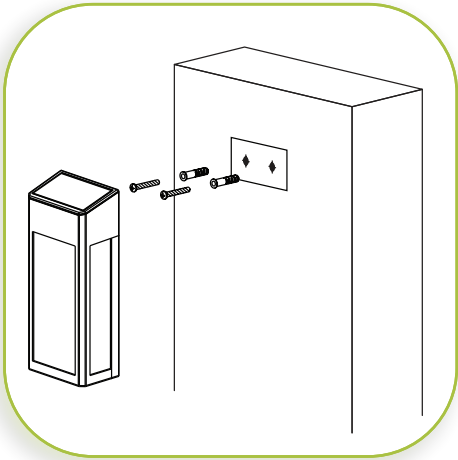


WHAT WE PROVIDE

- Two Jade Solar Wall Lights
- 2 x Ni-MH 800 mAh Rechargeable Batteries (1 Per Solar Light)
- Mounting Hardware

CHOOSING THE RIGHT LOCATION

Before installing the solar lights, you will need to select the right location for installation. The solar lights need to be in a non-shaded area where sunlight is not obstructed by buildings, walls, fences, trees, bushes or any shadows that these objects create throughout the day. Shady locations will not allow the battery to fully charge and may reduce the time the solar lights stay on. Avoid proximity to other light sources, which may cause the solar lights to not operate correctly. Make sure solar lights are placed at least 6 feet apart to prevent light interference.

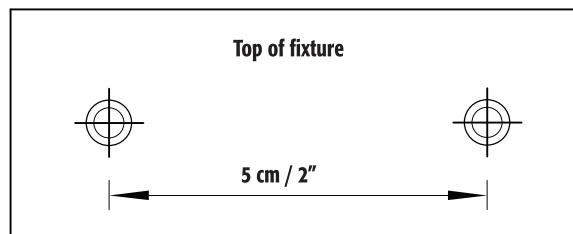


2

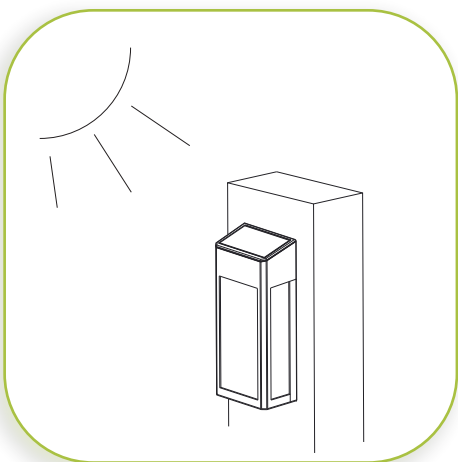
MOUNTING LIGHTS

Note: Use drilling template below for to mark for drilling.

Drill two small holes into the wall where you want to mount wall light. Next, screw in the screws (included) until they are protruding 1/4". Now you can place the holes on the back of the solar light over the screws. Gently pull down to secure.



Drilling Template

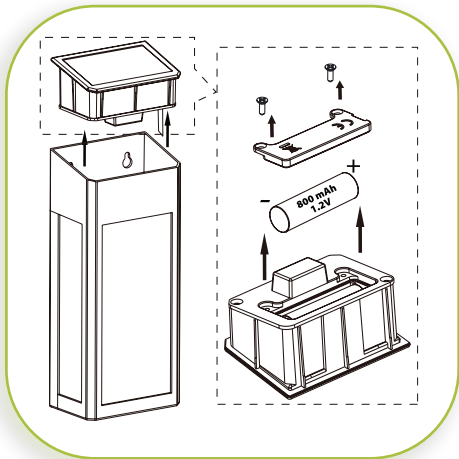


3

SOLAR CHARGING

Maximum sunlight will give the internal battery the best charge and give you the best results. The solar wall light will not be very bright or long lasting, until the battery is fully charged. Once charged, the wall light will turn on at dusk and remain on for up to 8 hours, depending on the charge received that day.

NOTE: You may charge the battery in a battery charger, or charge it with the solar panel. When using the solar panel, be sure that the battery receives a full day's worth of sunlight before use.



4

BATTERY REPLACEMENT

Batteries may need replacement every 1-2 years, depending on the operating conditions. To install a new battery, lift up the solar panel from the top of the light. Remove the battery compartment cover and replace battery. When installing a new battery, be sure to insert with the correct polarity as indicated (+/-) and secure the battery compartment cover before use.

TROUBLESHOOTING

- Solar lights not operating properly at night may be caused by one of the following conditions:
- Low light levels during the day, caused by the position in which the light is placed, weather conditions, or lack of sunlight, will shorten the solar lights' operating time at night.
- If the surface of the solar panel is dirty, the charging ability will be reduced. Clean the surface occasionally with a damp cloth.
- The batteries might need to be replaced. In the event that they do need replacing, see "BATTERY REPLACEMENT" above.
- Please note that solar lights will not function in the daytime or in a brightly lit environment.