

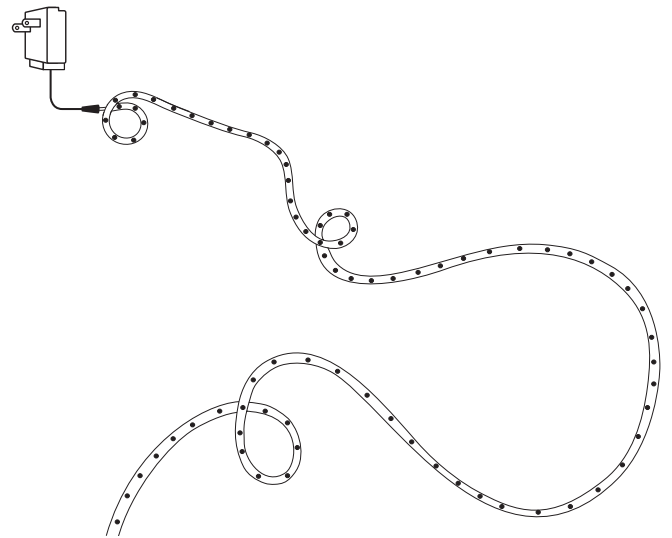
## INSTRUCTIONS



### IMPORTANT

Before using your LampLust Rope Light, please make sure that you carefully read through these instruction sheets. NOTE: The important safeguards and instructions that appear in this manual are not meant to cover all possible conditions and situations that may occur. It must be understood that common sense, caution and care are factors that can't be built into any product. This approach must be used by the person(s) caring for and operating the light.

- **DO NOT** cover this product as doing so may cause flexible light to overheat and melt or ignite.
- **DO NOT** operate with the flexible cable tightly coiled. To prevent overheating, DO NOT allow contact between flexible light cables or parts of light cables.
- **DO NOT** puncture, cut, shorten or splice the flexible light.
- **DO NOT** route the cord or flexible light cable through walls, doors, windows, or any like part of a building structure.
- **DO NOT** submerge flexible light in liquids.



### MODEL NO.

LC004862

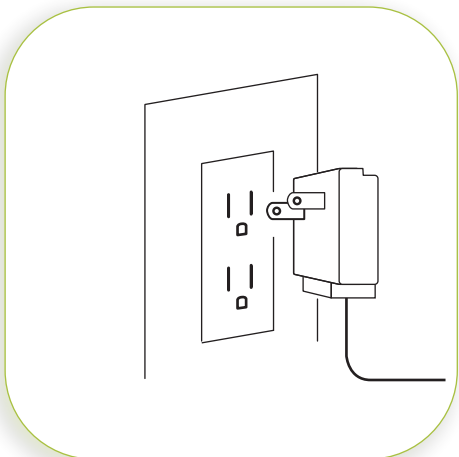
LC004863

### WHAT WE PROVIDE

- 25 Foot LED Plasma Rope Light

### STEP BY STEP INSTRUCTIONS

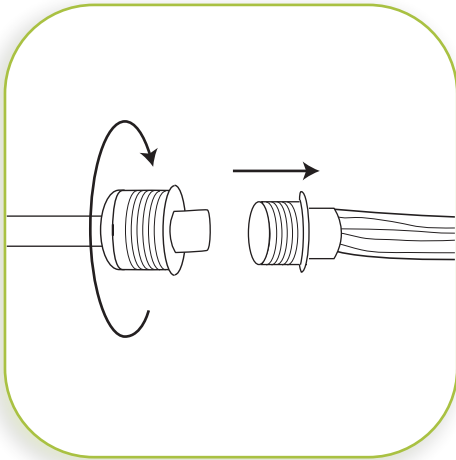
Before installing your rope lights, remove packaging. When setting up the rope light, carefully position cables to avoid a tripping hazard, and when hanging lights use a stable method of support. Secure the rope lights using clips, hooks, or zip ties.



# 1

### PLUG IN THE ROPE LIGHTS

## INSTRUCTIONS



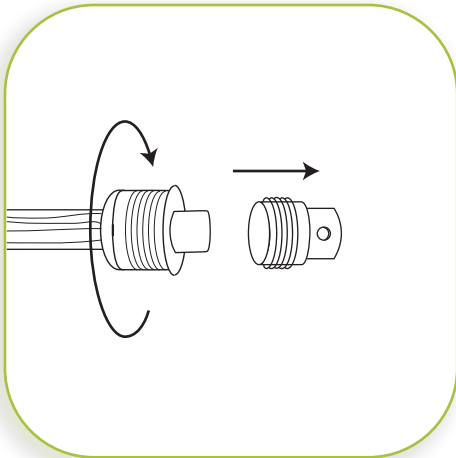
# 2A

### HOW TO EXTEND THE ROPE LIGHT

Should you purchase additional rope lights, you may wish to connect your sets together.

To connect rope lights:

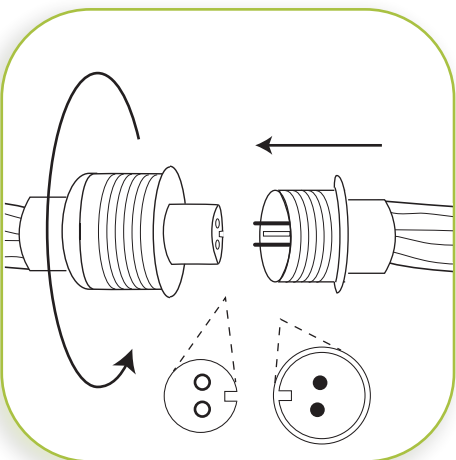
Remove the power cord from the additional rope light by twisting the plastic cap that is holding the two parts together, counterclockwise, and pulling them apart.



# 2B

### HOW TO EXTEND THE ROPE LIGHT CONT.

Remove the end cap from the original rope light by turning the plastic cap counterclockwise.



# 2C

### HOW TO EXTEND THE ROPE LIGHT CONT.

Connect the end of the original rope light to the beginning of the additional rope light. Be sure to line up the notch at the end of the original rope light with the indentation on the additional rope light. Twist the plastic cap from the original rope light clockwise to secure the sets together.