

INSTALLATION INSTRUCTIONS



IMPORTANT

Before installing your Lights.com fixture, please make sure that you carefully read through these instruction sheets. Consider having your fixture installed by a qualified licensed electrician.

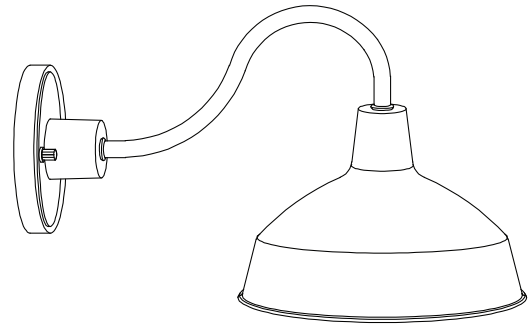
NOTE: The important safeguards and instructions that appear in this manual are not meant to cover all possible conditions and situations that may occur. It must be understood that common sense, caution and care, are factors that can't be built into any product. This approach must be used by the person(s) caring for and operating the fixture.

GENERAL INFORMATION

All electrical connections must be made in accordance with all ordinances, and Local and National Electrical Codes. These fixtures are intended for mounting to a standard 4" junction box. The box must be directly supported by the building structure and be ETL or U.L. recognized.

STEP BY STEP INSTRUCTIONS

Before starting your installation, disconnect the power by turning off the circuit breaker or by removing the fuse at the fuse box. Just turning the light off at the light switch is not sufficient to prevent electrical shock.



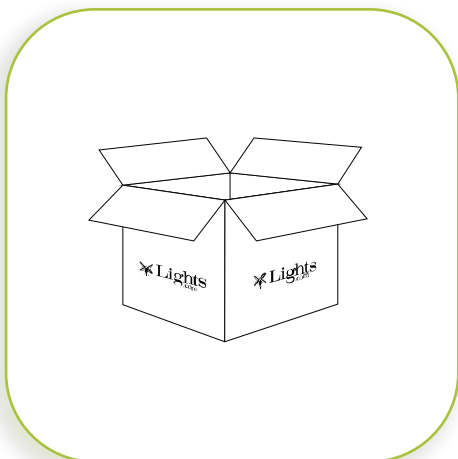
COLLECTION	APPLICATION	MODEL NO.
Asher	8.5" Outdoor Wall Light	LC005287
		LC005288
		LC005289

WHAT WE PROVIDE

- Wall Light
- Mounting & Wiring Hardware

WHAT YOU NEED

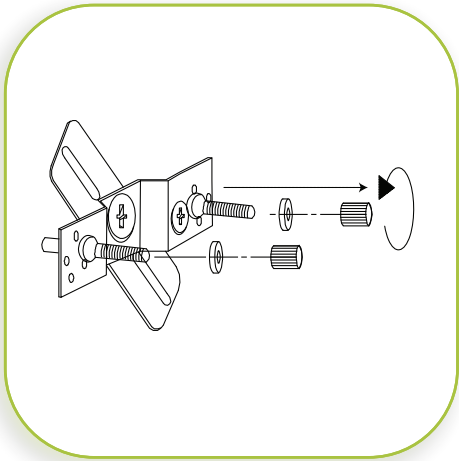
- Electric Drill
- Ladder
- Wiring Supplies as Specified by Electrical Code
- Hammer
- Pliers
- Electrical Tape
- 1 x 60W E26 Bulb



1

UNPACK FIXTURE

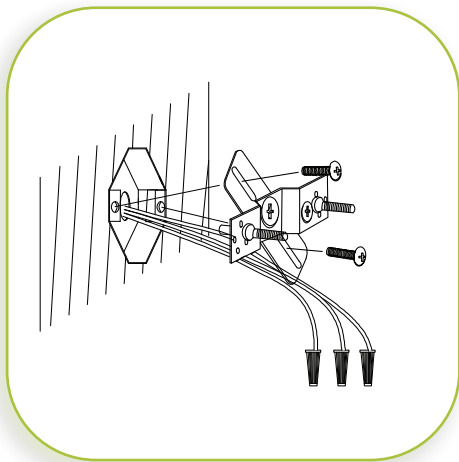
INSTALLATION INSTRUCTIONS



2

PREPARE FIXTURE AND MOUNTING PLATE

Remove the ball knobs from the mounting plate by unscrewing the ball knobs from the threaded screws.

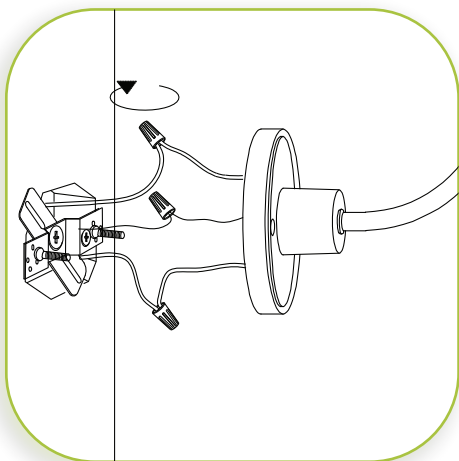


3

INSTALL MOUNTING PLATE

Note: Make sure fixture mounting screws are facing outward. This fixture can only be mounted vertically.

If there is an existing fixture, remove it. Expose the supply wires from the J-Box. Insert supply wires through the mounting plate. Secure the mounting plate using the Phillips head screws provided. Tighten to secure.

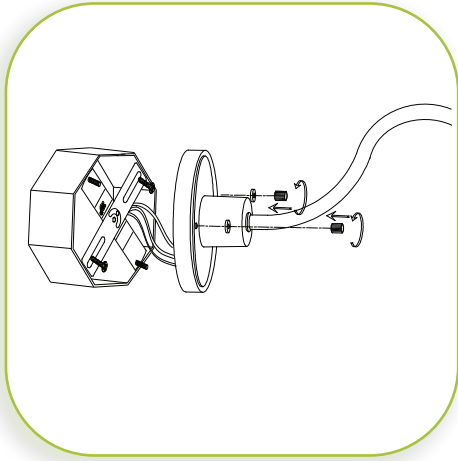


4

MAKE WIRE CONNECTIONS

Connect the BLACK fixture wire to the BLACK supply wire and the WHITE fixture wire to the WHITE supply wire. Connect the fixture ground wire to the J-BOX ground wire or wrap around one of the protruding screws on the mounting plate. Secure all connections with the supplied wire nuts and electrical tape (not supplied).

INSTALLATION INSTRUCTIONS



5

CONNECT FIXTURE TO MOUNTING PLATE

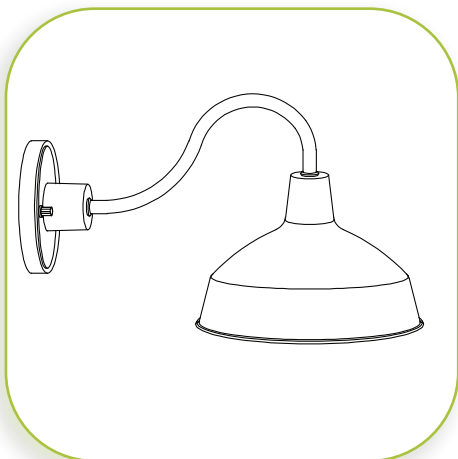
Position backplate over the mounting plate. Align the holes on the mounting plate with the two holes on the backplate and secure with the ball knobs supplied.



6

INSTALL BULB

Install your E26 bulb (60W Max). **DO NOT EXCEED THE WATTAGE AS STATED ON THE WARNING LABEL.**



7

RESTORE THE ELECTRICITY AND CHECK THE OPERATION OF YOUR NEW FIXTURE

