

ASSEMBLY INSTRUCTIONS



IMPORTANT

Before opening your Lights.com fixture, please make sure that you carefully read through these instruction sheets. Consider having your fixture installed by a qualified licensed electrician.

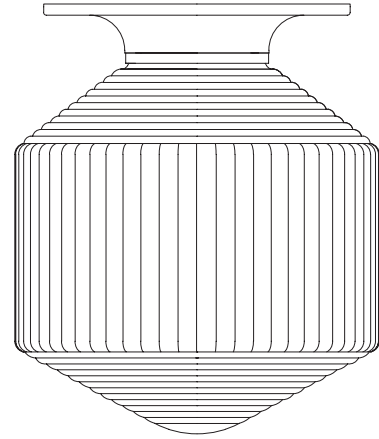
NOTE: The important safeguards and instructions that appear in this manual are not meant to cover all possible conditions and situations that may occur. It must be understood that common sense, caution and care, are factors that can't be built into any product. This approach must be used by the person(s) caring for and operating the fixture.

GENERAL INFORMATION

All electrical connections must be in accordance with all ordinances, Local and National Electrical Codes. These fixtures are intended for mounting to a standard 4" x 2-1 /2" metal octagon box. The box must be directly supported by the building structure and U.L. Recognized.

STEP BY STEP INSTRUCTIONS

Before starting your installation, disconnect the power by turning off the circuit breaker or by removing the fuse at the fuse box. Just turning the light off at the light switch is not sufficient to prevent electrical shock.



COLLECTION

Jules

APPLICATION

Flush Mount

MODEL No.

LC005257

LC005258

WHAT WE PROVIDE

- Jules Flush Mount
- Glass Shade
- Wire Nuts and Mounting Hardware

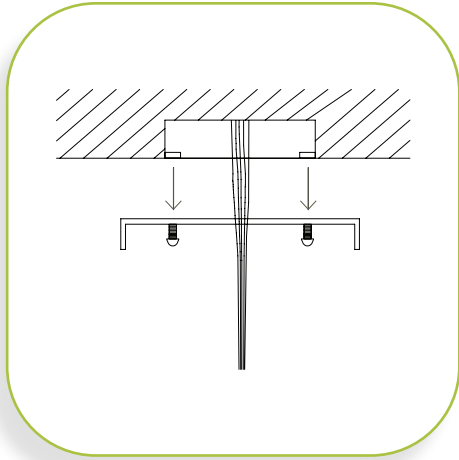
WHAT YOU NEED

- Philips Head Screwdriver
- Wire Cutters
- Wiring supplies as specified in Electrical code
- 60 Watt bulb



1

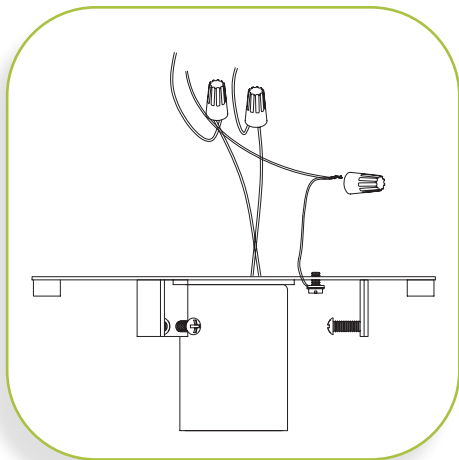
UNPACK COMPONENTS



2

PREPARE FIXTURE

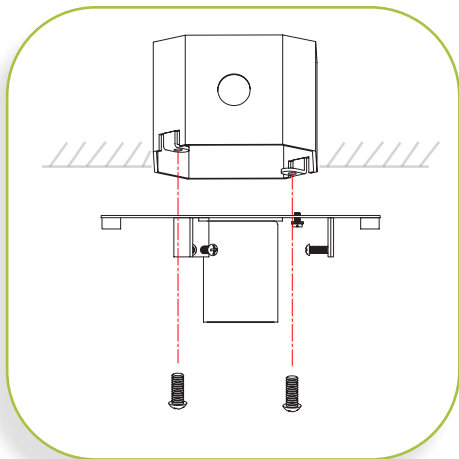
If there is an existing fixture, remove it. Expose the supply wires from the J-box.



3

MAKE WIRE CONNECTIONS

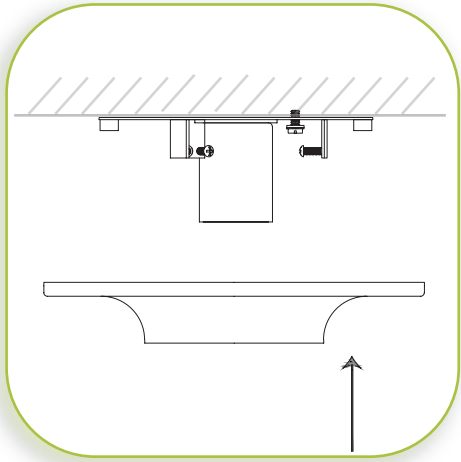
Connect BLACK fixture wire to the BLACK supply wire and WHITE fixture wire to the WHITE supply wire. Connect the fixture GROUND wire to the J-Box GROUND wire or wrap around one of the protruding screws on the mounting plate. Secure all connections with the supplied wire nuts, secure all wire connections with electrical tape (not supplied). Tuck all wires carefully into the J-Box.



4

INSTALL SOCKET AND MOUNTING PLATE

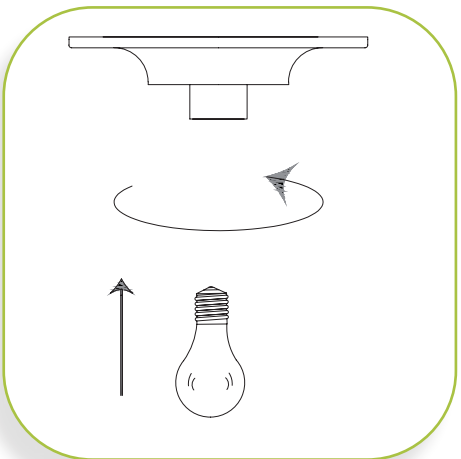
Secure the mounting plate using the two Philips head screws supplied. Hand tighten to secure.



5

POSITION THE CANOPY OVER THE MOUNTING PLATE

The canopy is secured using magnets that are on the mounting plate. Once placed over the mounting plate the magnets will grab and secure the canopy.

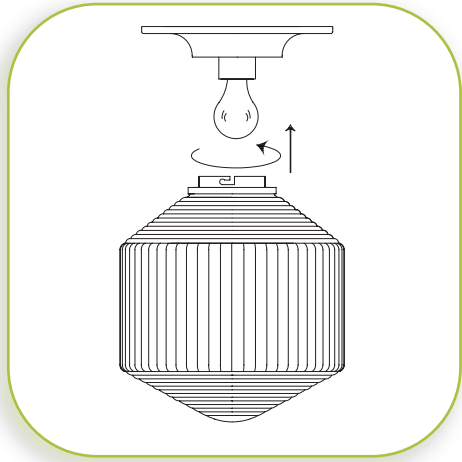


6

INSERT A BULB

Use a 60 Watt E26 bulb. We recommend using LEDs for increased performance and efficiency.

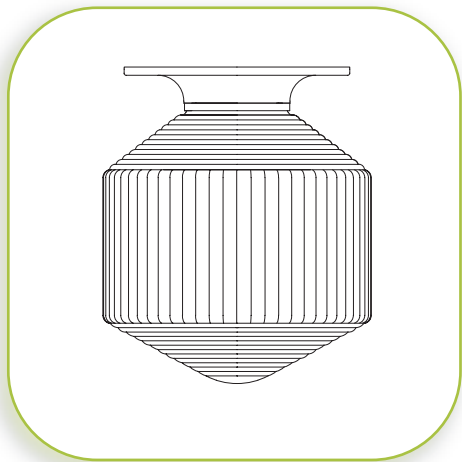
DO NOT EXCEED THE WATTAGE AS STATED ON THE WARNING LABEL.



7

ATTACH THE GLASS SHADE

Line up the collar on the glass shades with the 3 protruding pins outside the socket. Push up and turn right to secure.



8

RESTORE THE ELECTRICITY AND CHECK THE OPERATION OF YOUR NEW FIXTURE

DIMMERS

Note: For the best lighting experience, we recommend using a dimmer. Not only does this allow you to create a great ambiance, it allows for energy savings and extends the life of the bulbs.