

INSTALLATION INSTRUCTIONS



IMPORTANT

Before installing your Lights.com fixture, please make sure that you carefully read through these instruction sheets. Consider having your fixture installed by a qualified licensed electrician.

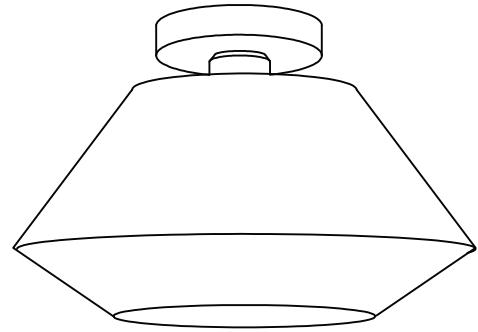
NOTE: The important safeguards and instructions that appear in this manual are not meant to cover all possible conditions and situations that may occur. It must be understood that common sense, caution and care, are factors that can't be built into any product. This approach must be used by the person(s) caring for and operating the fixture.

GENERAL INFORMATION

All electrical connections must be in accordance with all ordinances, Local and National Electrical Codes. These fixtures are intended for mounting to a standard 4" x 2-1/2" metal octagon box. The box must be directly supported by the building structure and U.L. Recognized.

STEP BY STEP INSTRUCTIONS

Before starting your installation, disconnect the power by turning off the circuit breaker or by removing the fuse at the fuse box. Just turning the light off at the light switch is not sufficient to prevent electrical shock.



COLLECTION

Farrah

APPLICATION

Flush Mount

MODEL NO.

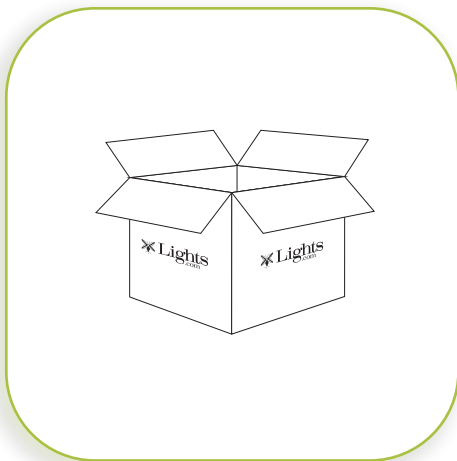
LC005135

WHAT WE PROVIDE

- Flush Mount Socket
- Silicone Washer
- Canopy
- Wire Nuts and Mounting Hardware
- Fiber Rope Shade

WHAT YOU NEED

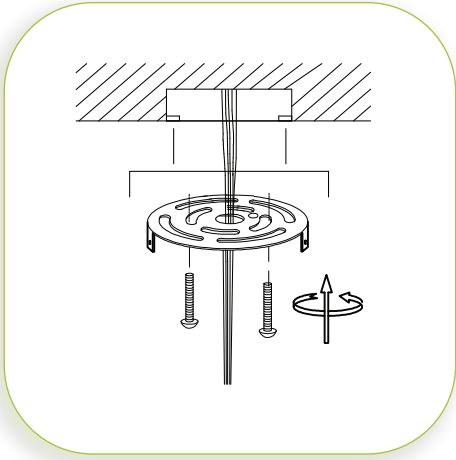
- Phillips Head Screwdriver
- Wire Cutters
- Wiring Supplies as Specified by Electrical Code
- 1 x 40W E26 Bulb
- Electrical Tape



1

UNPACK YOUR FIXTURE

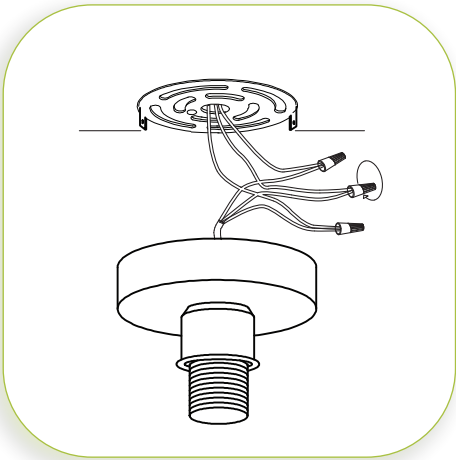
INSTALLATION INSTRUCTIONS



2

PREPARE FIXTURE AND INSTALL MOUNTING PLATE

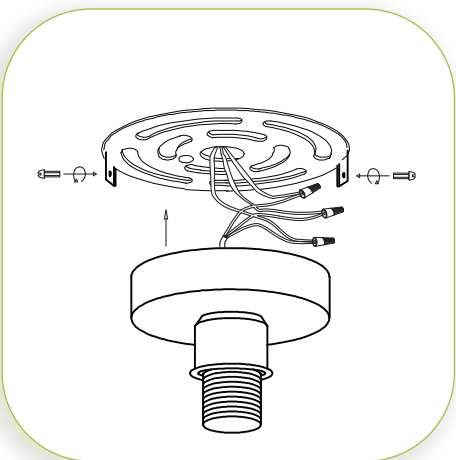
If there is an existing fixture, remove it. Expose the supply wires from the J-box. Insert supply wires through the mounting plate. Secure mounting plate using the two Phillips head screws provided. Hand tighten to secure.



3

MAKE WIRE CONNECTIONS

Connect the BLACK fixture wire (Wire is labeled "L") to the BLACK supply wire, and the WHITE fixture wire (Wire is labeled "N") to the WHITE supply wire. Connect the fixture GROUND wire to the J-Box GROUND wire or wrap around one of the protruding screws on the mounting plate. Secure all connections with the supplied wire nuts, secure all wire connections with electrical tape (not supplied). Tuck all wires carefully into the J-Box.

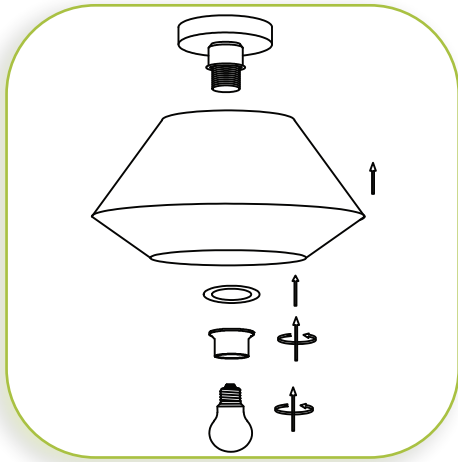


4

INSTALL FIXTURE TO THE MOUNTING PLATE

Position canopy over the mounting plate. Align the holes on the mounting plate with the holes on the side of canopy and secure with the supplied screws.

INSTALLATION INSTRUCTIONS



5

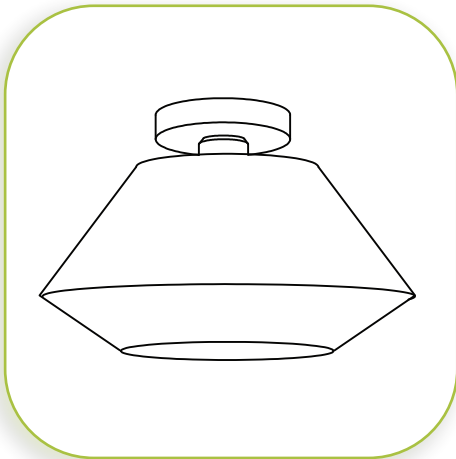
INSTALL THE SHADE AND BULB

Remove the decorative socket ring and silicone washer from the socket. Insert the fiber rope shade over the socket. Next insert the silicone washer followed by the decorative socket ring. Turn clockwise to secure with the decorative socket ring until snug and tight.

Please note the silicone washer is optional to protect the finish from scratching behind the socket ring. You can choose to use or not use the silicone ring.

MAXIMUM WATTAGE 40W.

DO NOT EXCEED THE WATTAGE AS STATED ON THE WARNING LABEL.



6

RESTORE THE ELECTRICITY AND CHECK THE OPERATION OF YOUR NEW FIXTURE



DIMMER NOTE

Note: For the best lighting experience, we recommend using a dimmer. Not only does this allow you to create a great ambiance, it allows for energy savings and extends the life of the bulbs.