

## INSTALLATION INSTRUCTIONS



### IMPORTANT

Before opening your Lights.com fixture, please make sure that you carefully read through these instruction sheets. Consider having your fixture installed by a qualified licensed electrician.

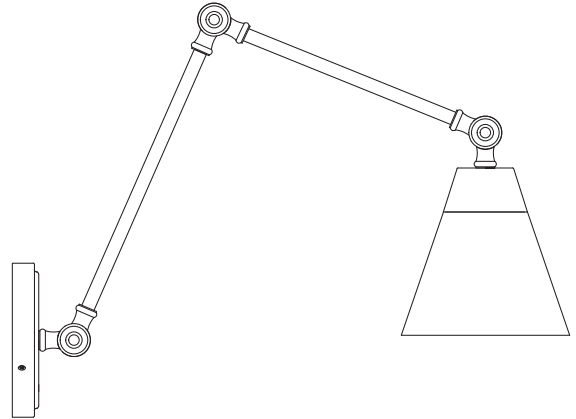
**NOTE:** The important safeguards and instructions that appear in this manual are not meant to cover all possible conditions and situations that may occur. It must be understood that common sense, caution and care, are factors that can't be built into any product. This approach must be used by the person(s) caring for and operating the fixture.

### GENERAL INFORMATION

All electrical connections must be in accordance with all ordinances, local and national electrical codes. These fixtures are intended for mounting to a standard 4" x 2 1/2" metal octagon outlet box. The box must be directly supported by the building structure and U.L. Recognized.

### STEP BY STEP INSTRUCTIONS

Before starting your installation disconnect the power by turning off the circuit breaker or by removing the fuse at the fuse box. Just turning the light off at the light switch is not sufficient to prevent electrical shock.



#### Collection

Owen

#### Application

Wall Sconce

#### Model No.

LC005159  
LC005160  
LC005161

#### WHAT WE PROVIDE

- Mounting & Wiring Hardware
- Glass Shade
- Pivoting Double Arm Wall Sconce

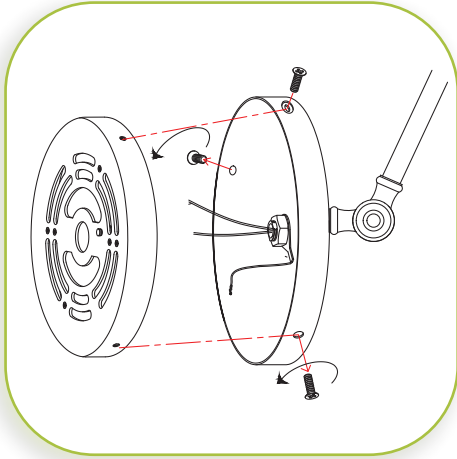
#### WHAT YOU NEED

- Phillips Screwdriver
- Wire Cutters
- Pliers
- Wiring Supplies As Specified By Electrical Code
- 1 X 60w E26 Bulb
- Electrical Tape



# 1

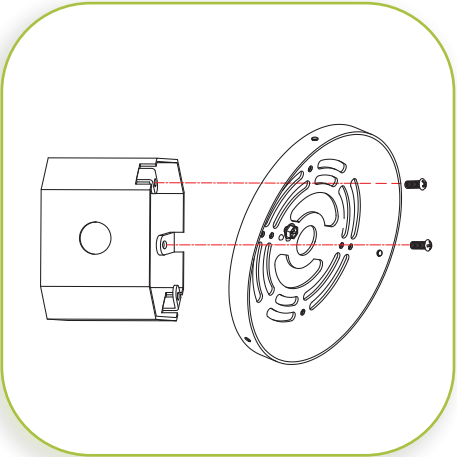
#### UNPACK FIXTURE



# 2

### PREPARE FIXTURE AND MOUNTING PLATE

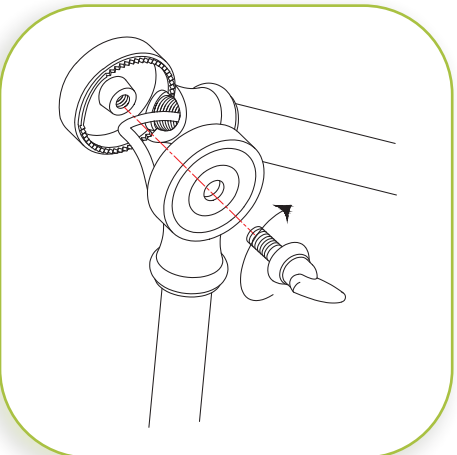
Remove the mounting plate by unscrewing the side screws from the backplate.



# 3

### INSTALL THE MOUNTING PLATE

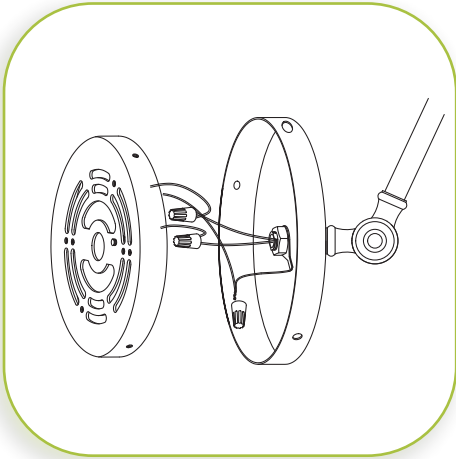
If there is an existing fixture, remove it. Expose the supply wires from the J-Box. Insert supply wires through the mounting plate. Secure mounting plate using two Phillips head screws provided. Tighten to secure.



# 4

### CONNECT PIVOTING ARMS

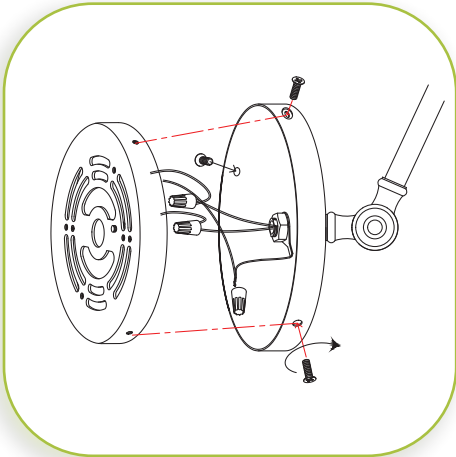
Carefully tuck the wires above the joint hole, making sure the wires are not pinched within the joint. Connect the pivoting joint at the end of each arm and secure using the threaded wing nut.



5

### CONNECT WIRES

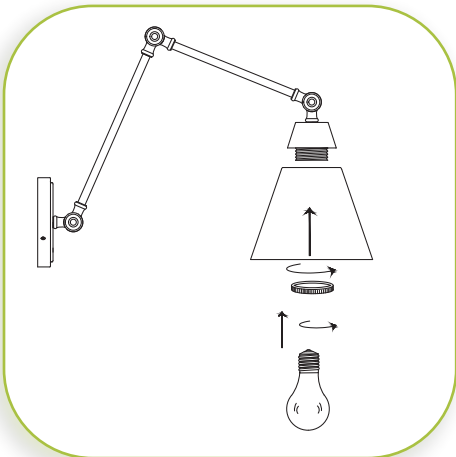
Connect the BLACK fixture wire to the BLACK supply wire and the WHITE fixture wire to the WHITE supply wire. Connect the fixture ground wire to the J-BOX ground wire. Secure all connections with the supplied wire nuts and electrical tape (not supplied).



6

### CONNECT FIXTURE TO WALL

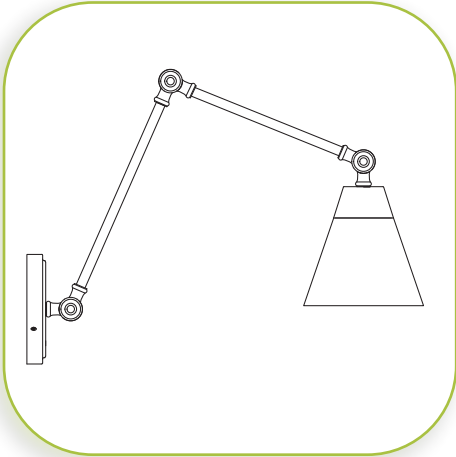
Place backplate over mounting plate. Slightly adjust to align holes on each side. Secure using supplied screws.



7

### INSTALL SHADE AND BULB

Remove the socket ring from the socket. Hold the glass shade up to the socket and secure with the socket ring. Install the bulb. MAXIMUM WATTAGE 60W. DO NOT EXCEED THE WATTAGE AS STATED ON THE WARNING LABEL.



8

**DIMMER NOTE**

**RESTORE THE ELECTRICITY AND CHECK THE OPERATION OF YOUR NEW FIXTURE**



Note: For the best lighting experience, we recommend using a dimmer. Not only does this allow you to create a great ambiance, it allows for energy savings and extends the life of the bulb.