

## INSTALLATION INSTRUCTIONS



### IMPORTANT

Before opening your Lights.com fixture, please make sure that you carefully read through these instruction sheets. Consider having your fixture installed by a qualified licensed electrician.

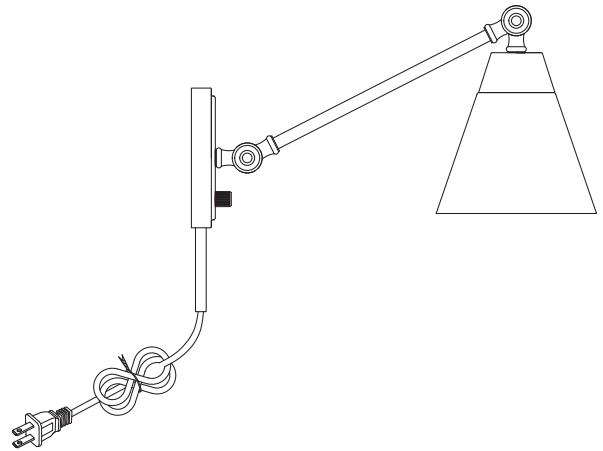
**NOTE:** The important safeguards and instructions that appear in this manual are not meant to cover all possible conditions and situations that may occur. It must be understood that common sense, caution and care, are factors that can't be built into any product. This approach must be used by the person(s) caring for and operating the fixture.

### GENERAL INFORMATION

All electrical connections must be in accordance with all ordinances, local and national electrical codes.

### STEP BY STEP INSTRUCTIONS

Before starting your installation disconnect the power by turning off the circuit breaker or by removing the fuse at the fuse box. Just turning the light off at the light switch is not sufficient to prevent electrical shock.



#### Collection

Owen

#### Application

Wall Sconce

#### Model No.

LC005156  
LC005157  
LC005158

#### WHAT WE PROVIDE

- Mounting & Wiring Hardware
- Glass Shade
- Pivoting Single Arm Plug-In Wall Sconce
- Wall Anchor Kit

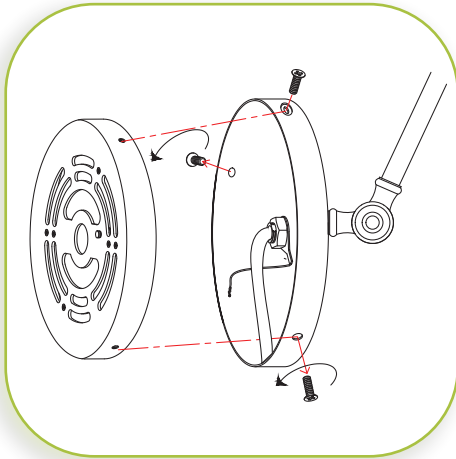
#### WHAT YOU NEED

- Phillips Screwdriver
- Wire Cutters
- Pliers
- Wiring Supplies As Specified By Electrical Code
- 1 X 60w E26 Bulb
- Electrical Tape



# 1

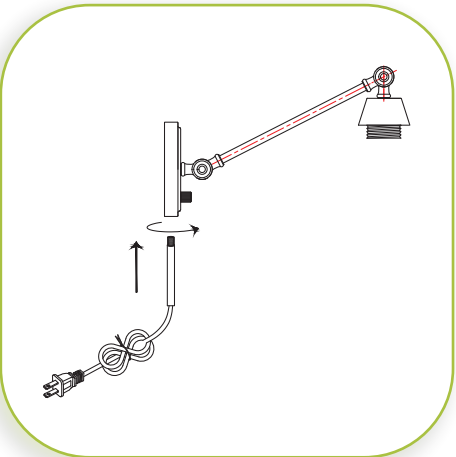
#### UNPACK FIXTURE



# 2

### PREPARE FIXTURE AND MOUNTING PLATE

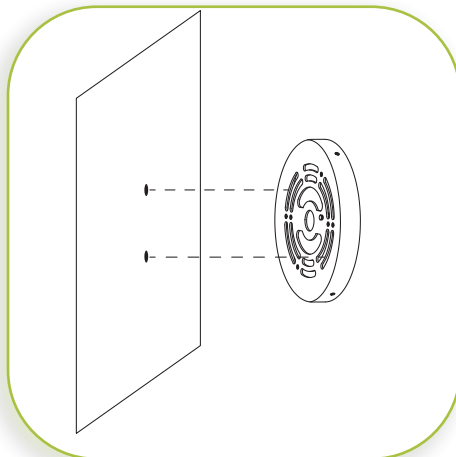
Remove the mounting plate by unscrewing the side screws from the backplate.



# 3

### INSTALL CORD ROD TO BACK PLATE

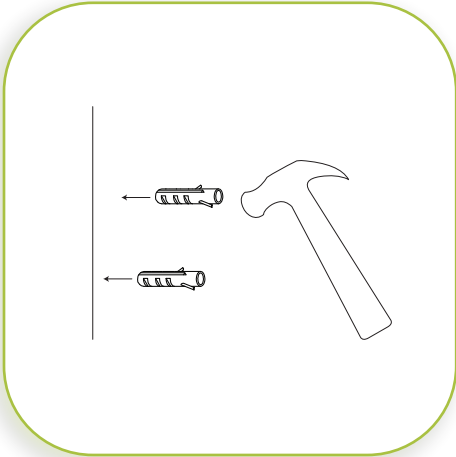
Install the threaded rod onto the bottom of the backplate by turning the rod counterclockwise.



# 4

### MARK HOLES IN WALL

Determine exact location on wall to mount fixture. Hold mounting plate on the wall and mark two holes that will be used to install anchors and screws. Set mounting plate aside.

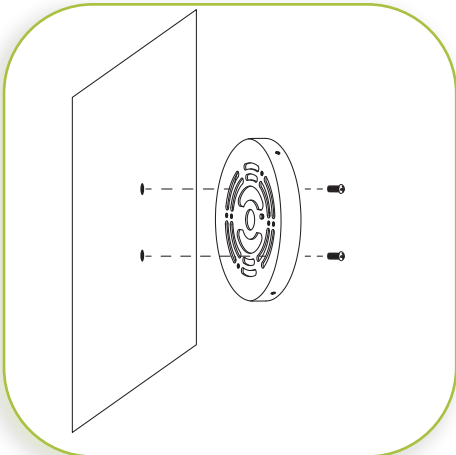


# 5

### MOUNT ANCHORS

Make two holes in wall just large enough to allow wall anchors to be recessed. Gently hammer wall anchors into holes until flush with wall.

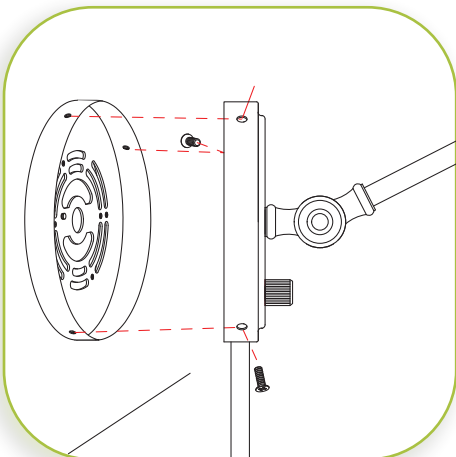
**Note:** Included with your hardware pack are multiple types of anchors depending on the wall material. Take care to use the correct parts for your wall.



# 6

### SECURE MOUNTING PLATE TO WALL

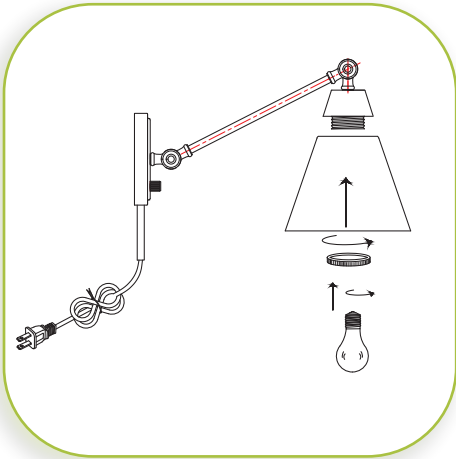
Re-align mounting plate with wall anchors; secure with two screws provided. Prior to tightening, please make any minor adjustments needed. Make sure the 3 holes on the side of the mounting plate are in the correct location to ensure your sconce will be mounted straight.



# 7

### CONNECT FIXTURE TO WALL

Place backplate over mounting plate. Slightly adjust to align holes on each side. Secure using supplied screws. Before tightening make sure your sconce is mounted perfectly straight. If it is not adjustments will need to be made by removing the sconce and loosening the screws in the mounting plate. Turn until the correct position is achieved then re-tighten.



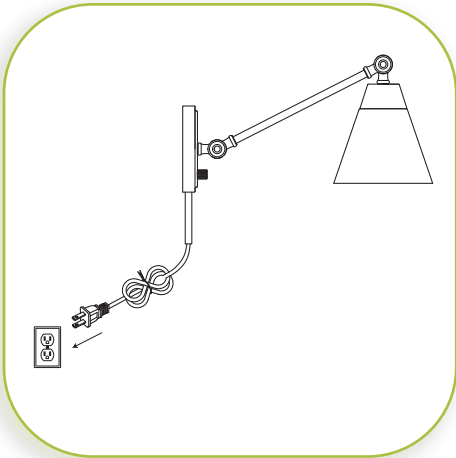
8

### INSTALL SHADE AND BULB

Remove the socket ring from the socket. Hold the glass shade up to the socket and secure with the socket ring.

Install the bulb. MAXIMUM WATTAGE 60W.

DO NOT EXCEED THE WATTAGE AS STATED ON THE WARNING LABEL.



9

### PLUG IN FIXTURE