

# ASSEMBLY INSTRUCTIONS

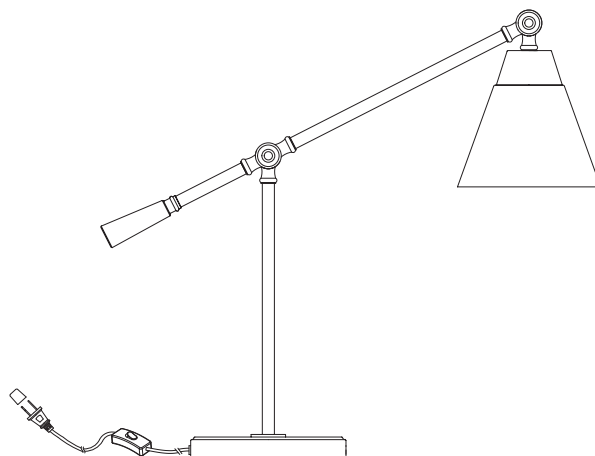


## IMPORTANT

Before opening your **Lights.com** lamp, please make sure that you carefully read through these instruction sheets.

Consider having your fixture installed by a qualified licensed electrician.

**NOTE:** The important safeguards and instructions that appear in this manual are not meant to cover all possible conditions and situations that may occur. It must be understood that common sense, caution and care, are factors that can't be built into any product. This approach must be used by the person(s) caring for and operating the lamp.



## COLLECTION

Owen

## STYLE

Table Lamp

## MODEL No.

LC005147

LC005148

LC005149

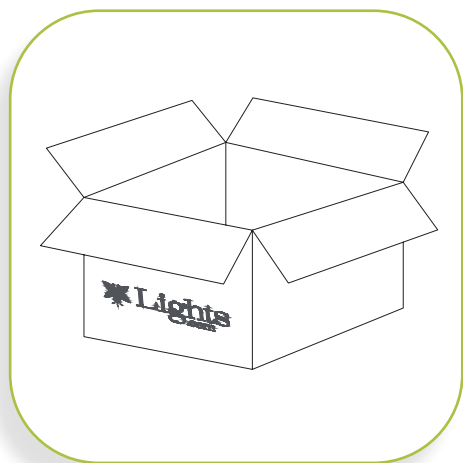
## WHAT WE PROVIDE

- 1 - Glass Shade
- 1 - Lamp Body
- 1 - Counterbalance Weight Arm
- 1 - Adjustment Key

## WHAT YOU NEED

- 1 - 60w E26 bulb

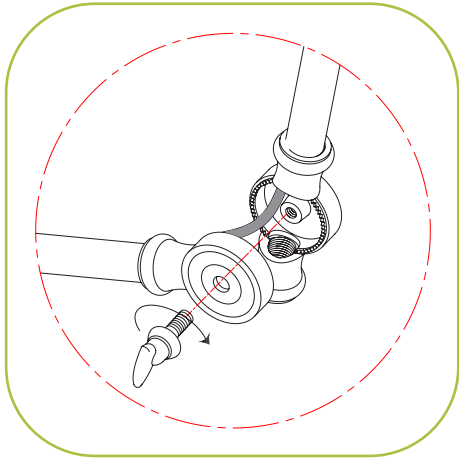
## STEP BY STEP INSTRUCTIONS



# 1

## UNPACK COMPONENTS

# 1

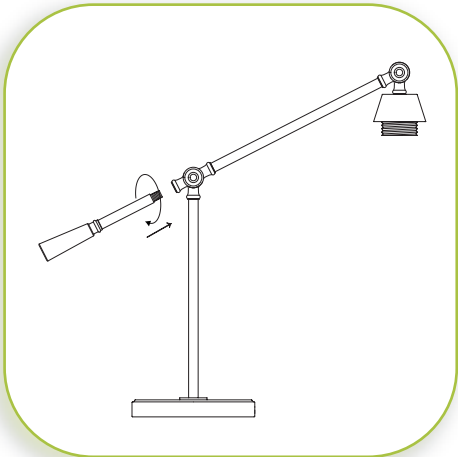


# 2

## CONNECT THE LAMP ARM

Using the Adjustment Key provided, attach the Lamp Base to the Lamp Arm.

**IMPORTANT:** Ensure that the internal wiring is free and not pinched, or obstructed, by the casing when tightened.



# 3

## ATTACH THE COUNTER BALANCE

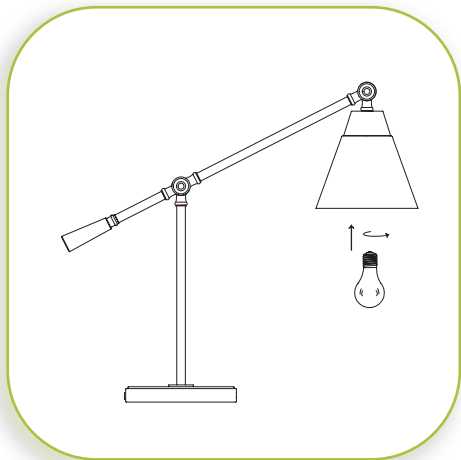
Thread the Counter Balance Weight into the Lamp Arm as shown.



# 4

## ATTACH THE GLASS SHADE

1. Remove the retaining ring from the fixture
2. Place the Shade into position as shown
3. Replace the retaining ring as shown



# 5

## ATTACH THE BULB

Use a 60 Watt E26 bulb. We recommend using LEDs for increased performance and efficiency.