

INSTALLATION INSTRUCTIONS



IMPORTANT

Before installing your Lights.com fixture, please make sure that you carefully read through these instruction sheets. Consider having your fixture installed by a qualified licensed electrician.

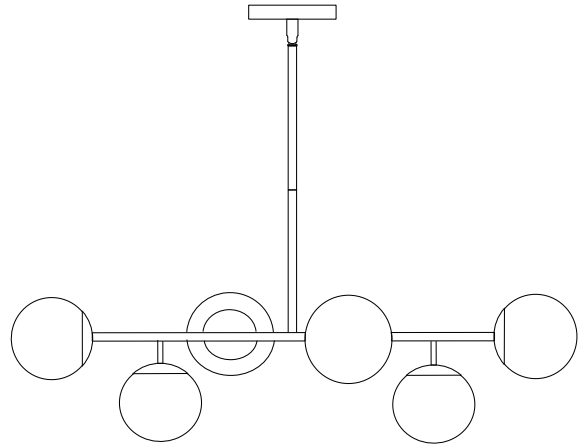
NOTE: The important safeguards and instructions that appear in this manual are not meant to cover all possible conditions and situations that may occur. It must be understood that common sense, caution and care, are factors that can't be built into any product. This approach must be used by the person(s) caring for and operating the fixture.

GENERAL INFORMATION

All electrical connections must be in accordance with all ordinances, local and national electrical codes. These fixtures are intended for mounting to a standard 4" x 2-1/2" metal octagon box. The box must be directly supported by the building structure and U.L. Recognized.

STEP BY STEP INSTRUCTIONS

Before starting your installation disconnect the power by turning off the circuit breaker or by removing the fuse at the fuse box. Just turning the light off at the light switch is not sufficient to prevent electrical shock.



COLLECTION	APPLICATION	MODEL NO.
Castell	6-Light Linear Pendant	LC005138
		LC005139

WHAT WE PROVIDE

- Mounting & Wiring Hardware
- 6 Glass Shades
- Canopy Kit
- Linear Fixture Frame and Wiring
- 6x G9 Bulbs
- One 6", Three 12", and One 18" Rods

WHAT YOU NEED

- Phillips Screwdriver
- Wire Cutters
- Wiring Supplies as Specified by Electrical Code
- Electrical Tape
- Ladder

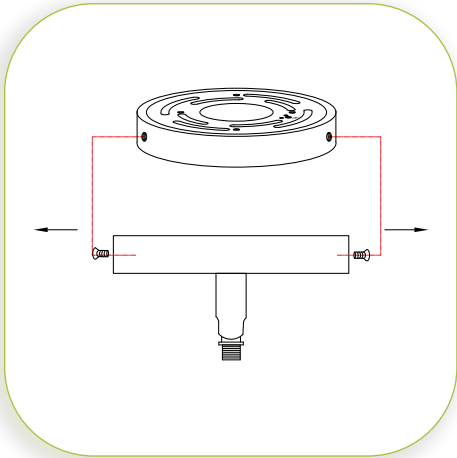


1

UNPACK YOUR FIXTURE

Carefully set aside all parts and pieces.

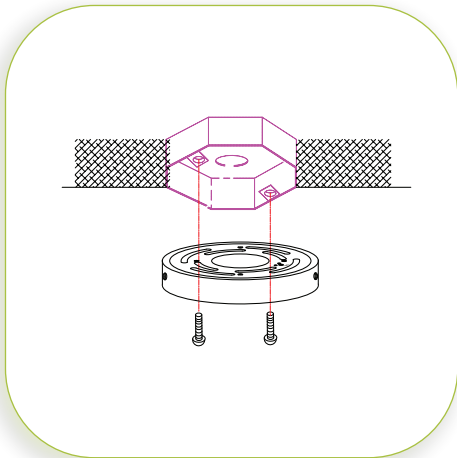
INSTALLATION INSTRUCTIONS



2

PREPARE FIXTURE AND MOUNTING PLATE

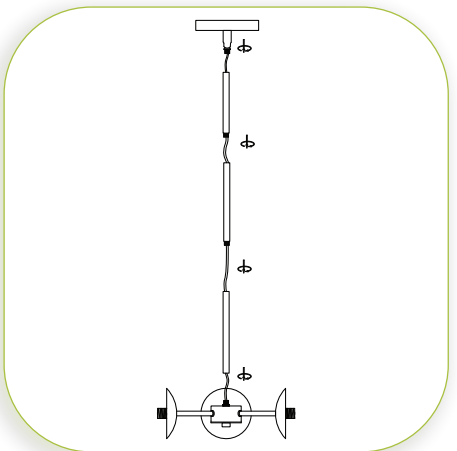
Remove the mounting plate from the canopy by unscrewing the side screws from the canopy counterclockwise.



3

INSTALL MOUNTING PLATE

If there is an existing fixture, remove it. Expose the supply wires from the J-box. Insert supply wires through the mounting plate. Secure mounting plate using two Phillips head screws provided. Hand tighten to secure.

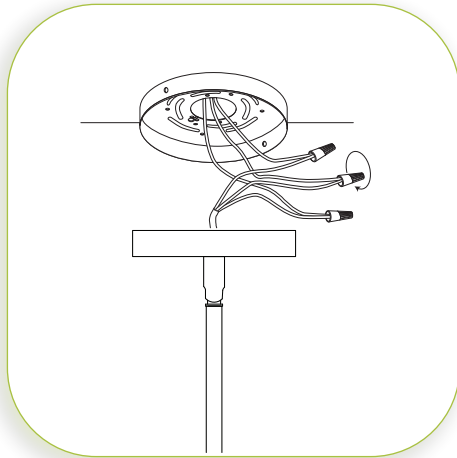


4

DETERMINE HEIGHT

Measure fixture to desired height. Please note this must be done in 6" increments. Once determined, connect the necessary rod lengths, one by one, to the top of the pendant until you reach your desired height. Once rods are connected, thread the included sloped ceiling adapter and canopy onto the top of the rods. Cut power supply leaving at least 12-18" above, for minor adjustments..

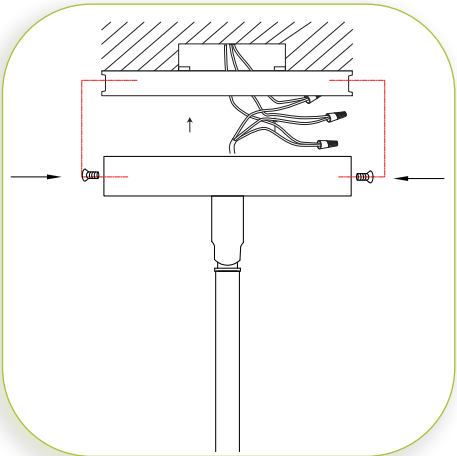
INSTALLATION INSTRUCTIONS



5

MAKE WIRE CONNECTIONS

Connect BLACK fixture wire to the BLACK supply wire and WHITE fixture wire to the WHITE supply wire. Connect the fixture GROUND wire to the J-Box GROUND wire. Secure all connections with the supplied wire nuts, secure all wire connections with electrical tape (not supplied). Tuck all wires carefully into the J-Box.

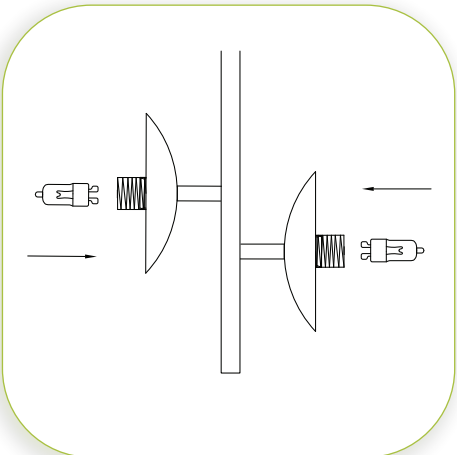


6

INSTALL FIXTURE TO THE MOUNTING PLATE

Position canopy over the mounting plate. Align the holes with the side of the canopy and secure with the supplied screws.

Please note: be careful to check and make sure no wires are sticking outside the canopy or getting pinched between the mounting plate and canopy.

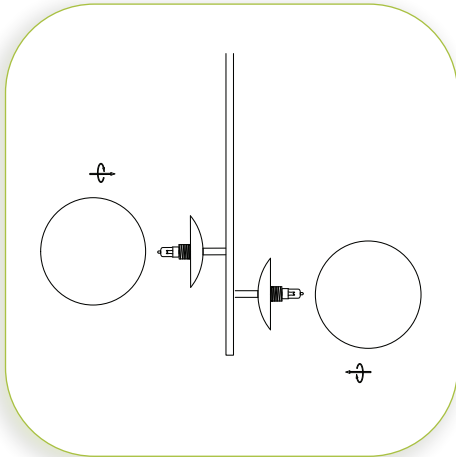


7

INSTALL THE BULBS

Remove the bulbs from their packaging. Each bulb is a type G9 LED bulb. Insert the bulb into the slot in the center of the socket and push. You will feel the bulb gently snap into place.

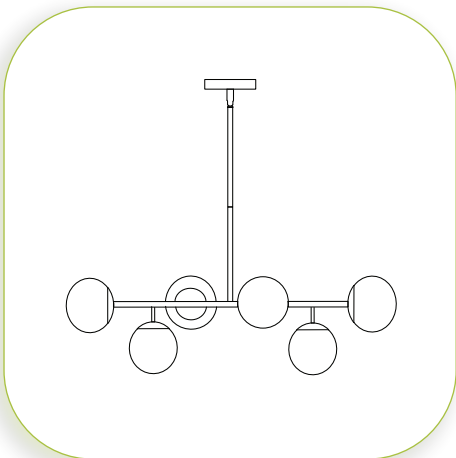
MAXIMUM WATTAGE 5W MAX PER SOCKET.
DO NOT EXCEED THE WATTAGE AS STATED ON
THE WARNING LABEL.



8

INSTALL SHADES

Thread the glass shades onto the sockets clockwise.
MAXIMUM WATTAGE 5W. DO NOT EXCEED THE
WATTAGE AS STATED ON THE WARNING LABEL.



9

RESTORE THE ELECTRICITY AND CHECK THE OPERATION OF YOUR NEW FIXTURE



DIMMER NOTE

For the best lighting experience, we recommend using a dimmer. Not only does this allow you to create a great ambiance, it allows for energy savings and extends the life of the LEDs.