



IMPORTANT

Before opening your LampLust Solar Path Lights, please make sure that you carefully read through these instruction sheets.

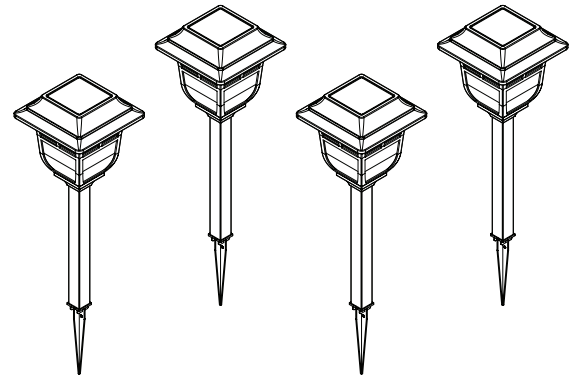
NOTE: The important safeguards and instructions that appear in this manual are not meant to cover all possible conditions and situations that may occur. It must be understood that common sense, caution and care are factors that can't be built into any product. This approach must be used by the person(s) caring for and operating the path lights.

GENERAL INFORMATION

Battery installation should only be performed by an adult. Only batteries of the same or equivalent type as recommended should be used. Battery leakage can cause corrosion and damage to this product so please remove non-functioning batteries immediately. Remove batteries from product during long periods of non-use. **DO NOT DISPOSE OF IN FIRE.** Please dispose at your local recycling facility.

STEP BY STEP INSTRUCTIONS

Before operating your path lights, remove packaging and assemble. Be sure to remove battery tabs from battery compartment (located on the bottom of the solar panel housing), in order to activate the batteries.

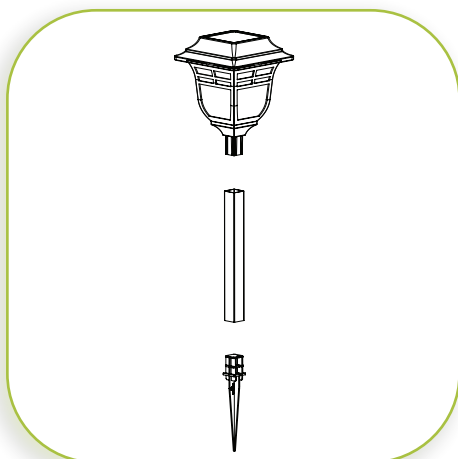


WHAT WE PROVIDE

- Four Burton Solar Path Lights
- 4 Metal Poles and Plastic Garden Stakes
- 4 x AA LiFePo4 Rechargeable Batteries (Installed)
(1 Per Path Light)

WHAT YOU NEED

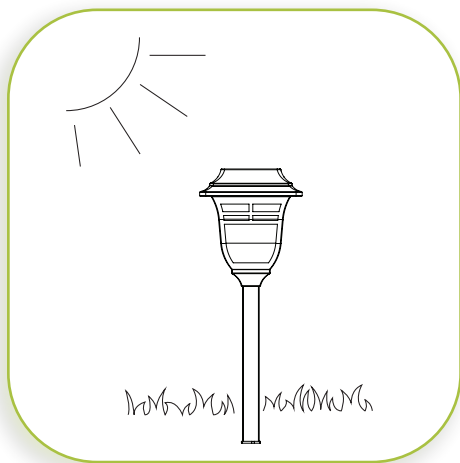
- Garden Implement (to make a hole in the ground)



1

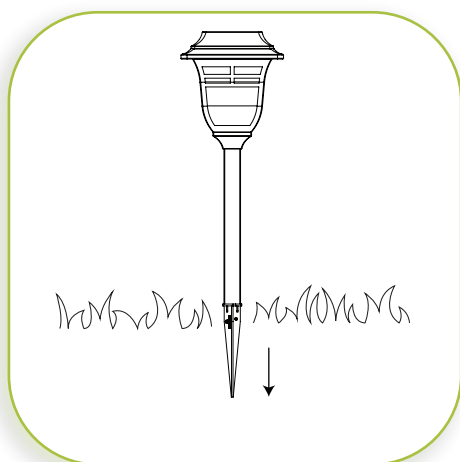
ASSEMBLY

Insert the metal poles into the bottoms of the solar path lights. Remove the plastic stakes from the bottom of the poles, turn around, and re-insert with pointed ends facing out.



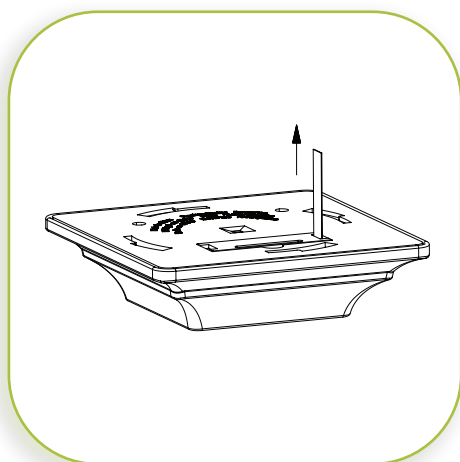
CHOOSING THE RIGHT LOCATION

Before setting up the solar lights and securing into the ground, you will need to select the right location for installation. The solar lights need to be in a non-shaded area where sunlight is not obstructed by buildings, walls, fences, trees, bushes or any shadows that these objects create throughout the day. Shady locations will not allow the battery to fully charge and may reduce the time the solar lights stay on. Avoid proximity to other light sources, which may cause the solar lights to not operate correctly. Make sure solar lights are placed at least 6 feet apart to prevent light interference.



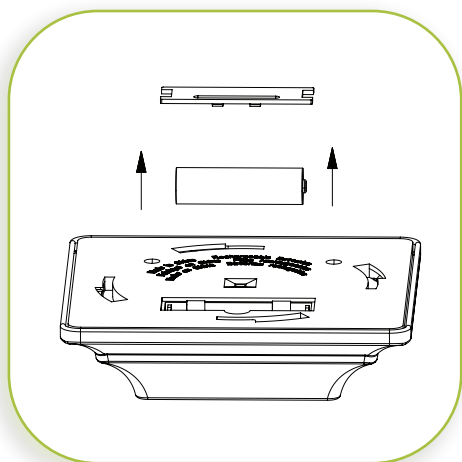
STAKE MOUNTING

Check that the ground in your selected location is not too hard as you may cause damage to the stake and pole if excessive force is used. If the ground is too hard, pour water on the desired location in order to soften the soil. Use a garden tool to make a hole in the ground and push the stake into the ground as far as the top ridge, but take care to not insert the stake too far. Please note that path light stakes should not be inserted into ground that is frozen.



SOLAR CHARGING

Remove battery tabs from battery compartment. To find the battery compartment, hold the metal top of the pathlight containing the solar panel and turn counterclockwise to separate from the glass. Turn the top upside down to locate the battery compartment and pull tab to activate the batteries. Replace the top of the path light to charge. Maximum sunlight will give the internal battery the best charge and give you the best results. The solar lights will not be very bright or long lasting, until the batteries are fully charged. NOTE: You may charge battery in a battery charger, or charge with the solar panel. When using the solar panel, be sure that the batteries receive a full day's worth of sunlight before use.



5

BATTERY REPLACEMENT

Batteries may need replacement every 1-2 years, depending on the operating conditions. To install new batteries, hold the metal top of the pathlight containing the solar panel and turn counterclockwise to separate from the glass. Turn the top upside down to locate the battery compartments. Hold the LED cover and turn counterclockwise to separate from the metal top. Remove the battery compartment covers and replace batteries. When installing new batteries, be sure to insert with the correct polarity as indicated (+/-) and secure the battery compartment covers and LED cover before use.

TROUBLESHOOTING

Solar lights not operating properly at night may be caused by one of the following conditions:

- Low light levels during the day, caused by the position in which the light is placed, weather conditions, or lack of sunlight, will shorten the solar lights' operating time at night.
- If the surface of the solar panel is dirty, the charging ability will be reduced. Clean the surface occasionally with a damp cloth.
- The batteries might need to be replaced. In the event that they do need replacing, see "BATTERY REPLACEMENT" above.
- Please note that solar lights will not function in the daytime or in a brightly lit environment.